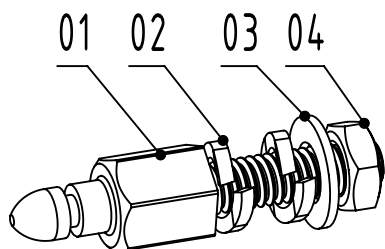


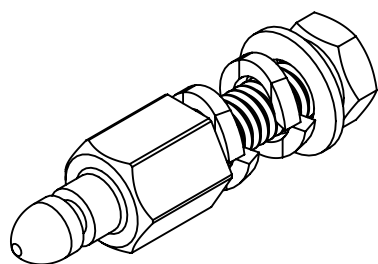
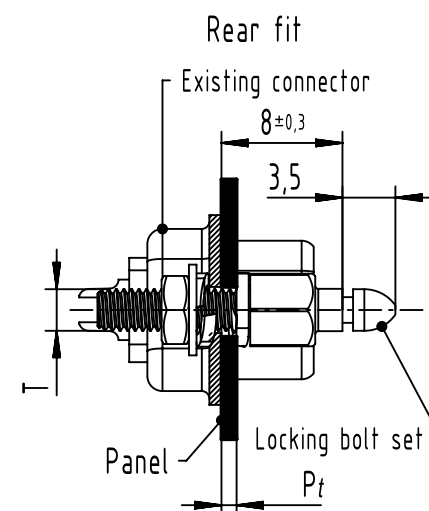
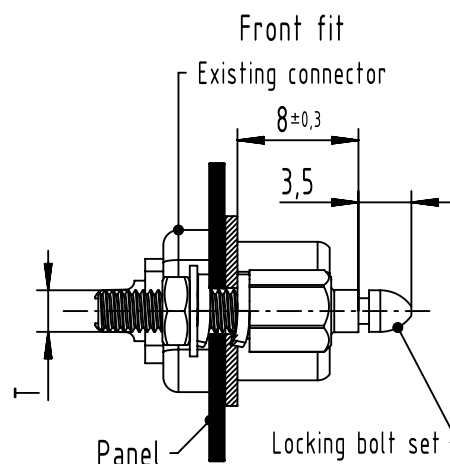
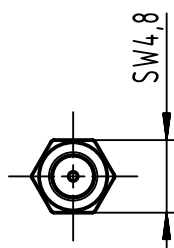
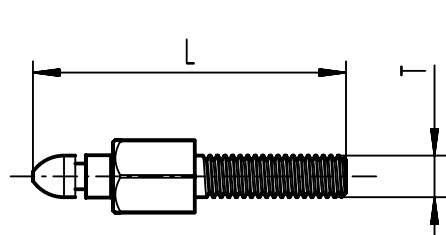
Components list:

| ITEM NO. | PART NAME | QTY |
|----------|------------------------------------|-----|
| 01 | Locking bolt | x1 |
| 02 | Single coil spring lock washers | x2 |
| 03 | Plain washers-Small series grade A | x1 |
| 04 | M3 / 4-40UNC Nut | x1 |

| Set Articale No. | Thread Type (T) | Length (L) | Panel Thickness (Pt) |
|------------------|-------------------|--------------|------------------------|
| 09 67 002 9174 | 4-40 UNC | 20,7mm | - |
| 09 67 002 9175 | M3 | | - |
| 97 00 000 2052 | 4-40 UNC | 19,7mm | 0,8mm to 1,3mm |
| 97 00 000 2053 | M3 | | 0,8mm to 1,3mm |
| 97 00 000 5071 | 4-40 UNC | 19,7mm | 1,3mm to 1,8mm |
| 97 00 000 5072 | M3 | | 1,3mm to 1,8mm |
| 97 00 000 5073 | 4-40 UNC | 19,7mm | 1,8mm to 2,3mm |
| 97 00 000 5074 | M3 | | 1,8mm to 2,3mm |



Locking bolt set for through holes application



| | | | | | | |
|------------------------------|---|--|-----------------------------|------------------------|---------------------|---------------------------------|
| | All rights reserved Department EL PD | All Dimensions in mm Original Size DIN A4 | | Scale 2:1 | Free size tol. | Ref. Sub. |
| | | Created by wene | Inspected by luok | Standardisation | Date 08-Sep-2025 | State 40 - Released |
| HARTING D-32339 Espelkamp | | Title D-Sub_ACC_FSL_M3/4-40UNC_LB_ASS | | | | Doc-Key / ECM-Nr. DS00243157 |
| | | Type TB | Design Number DS00243157 | SAP Mat. Number --- | Rev. B | Page 1/1 |