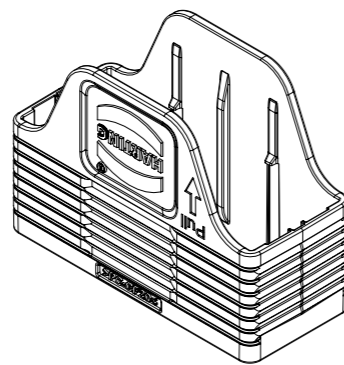
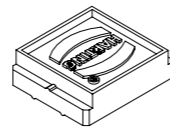


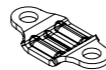
01 x2pcs



02 (enclosed) x1 piece



03 (enclosed) x2 pcs



04 (enclosed) x1 piece

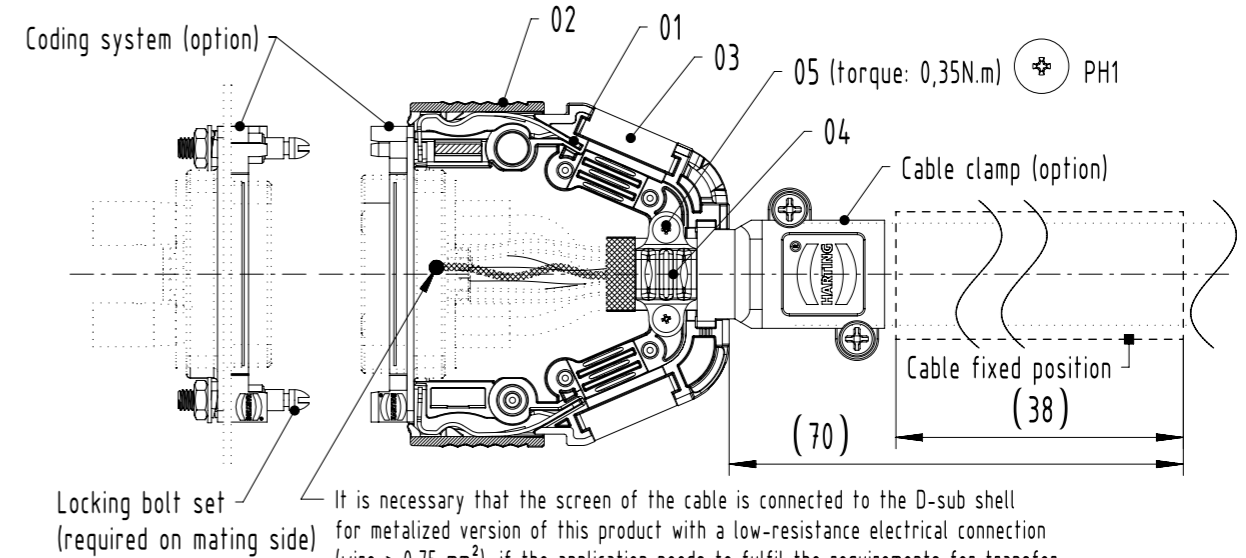
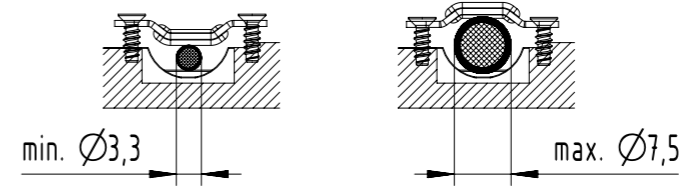


05 (enclosed) x2 pcs

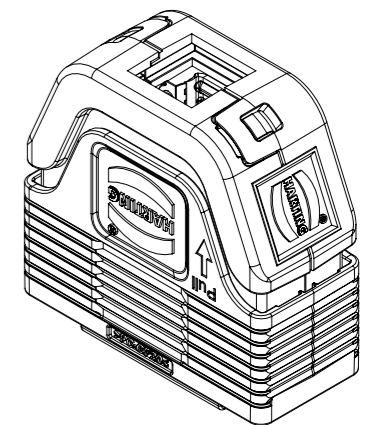
05	--	ISO 7050-ST2,2x6,5-A2-20H-F-H	x2
04	--	D-Sub ca-clamp for 9P, 15P hood	x1
03	--	plastic metallized blank piece 9P-37P	x2
02	--	D-Sub NAH 15P Moveable cover	x1
01	--	D-sub NAH 15P Hood coding metallized+lock spring	x2
1	09 67 015 0210 160	D-Sub_CCH_S2_PP_PL_PLA_FC	1 set
ITEM NO.	PART NUMBER	PART NAME	QTY

Recommended assembly:

Inner cable clamp application



It is necessary that the screen of the cable is connected to the D-sub shell for metalized version of this product with a low-resistance electrical connection (wire $\geq 0,75 \text{ mm}^2$), if the application needs to fulfil the requirements for transfer impedance acc. to VG 95373-25, pic. 1: 2016-02 of shielded cable



	All rights reserved Department EL PD	All Dimensions in mm Original Size DIN A3		Scale 1:1	Free size tol.	Ref. Sub.
		Created by wene	Inspected by luok	Standardisation	Date 19-Mar-2025	State 40 - Released
HARTING D-32339 Espelkamp		Title D-Sub_CCH_S2_PP_PL_PLA_FC			SAP Mat. Number 09670150210160	Doc-Key / ECM-Nr. DS00243464
Type TB	Design Number DS00243464	Rev. C	Page 1/1			