

Oct.1.2025 Copyright 2025 HIROSE ELECTRIC CO., LTD. All Rights Reserved.
 In case of consideration for using Automotive equipment / device which demand high reliability, kindly contact our sales window correspondents.

COUNT	DESCRIPTION OF REVISIONS	BY	CHKD	DATE	COUNT	DESCRIPTION OF REVISIONS	BY	CHKD	DATE

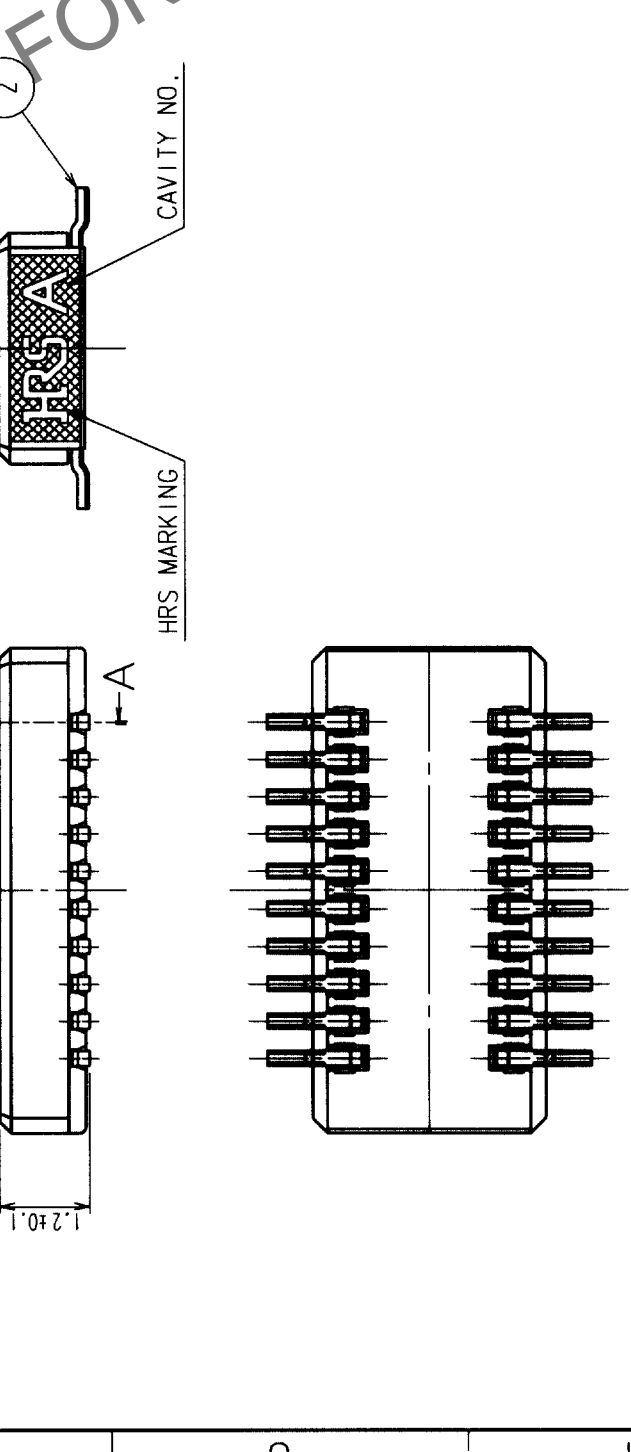
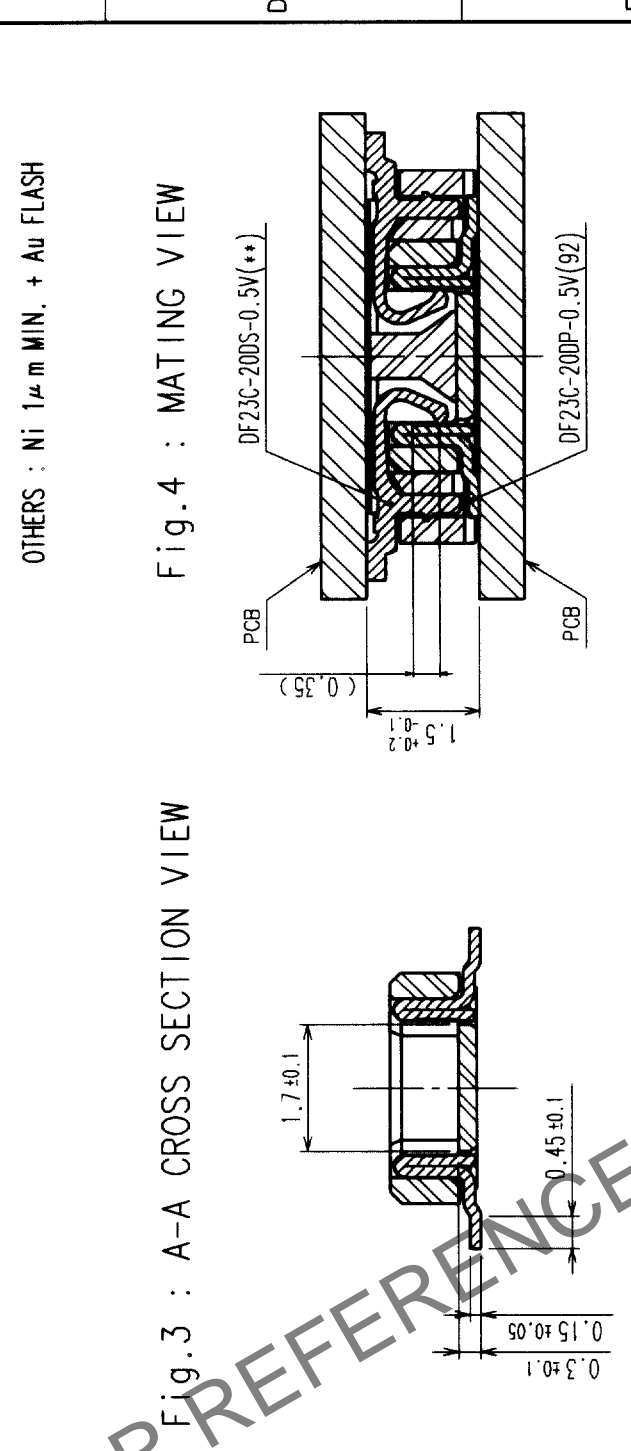
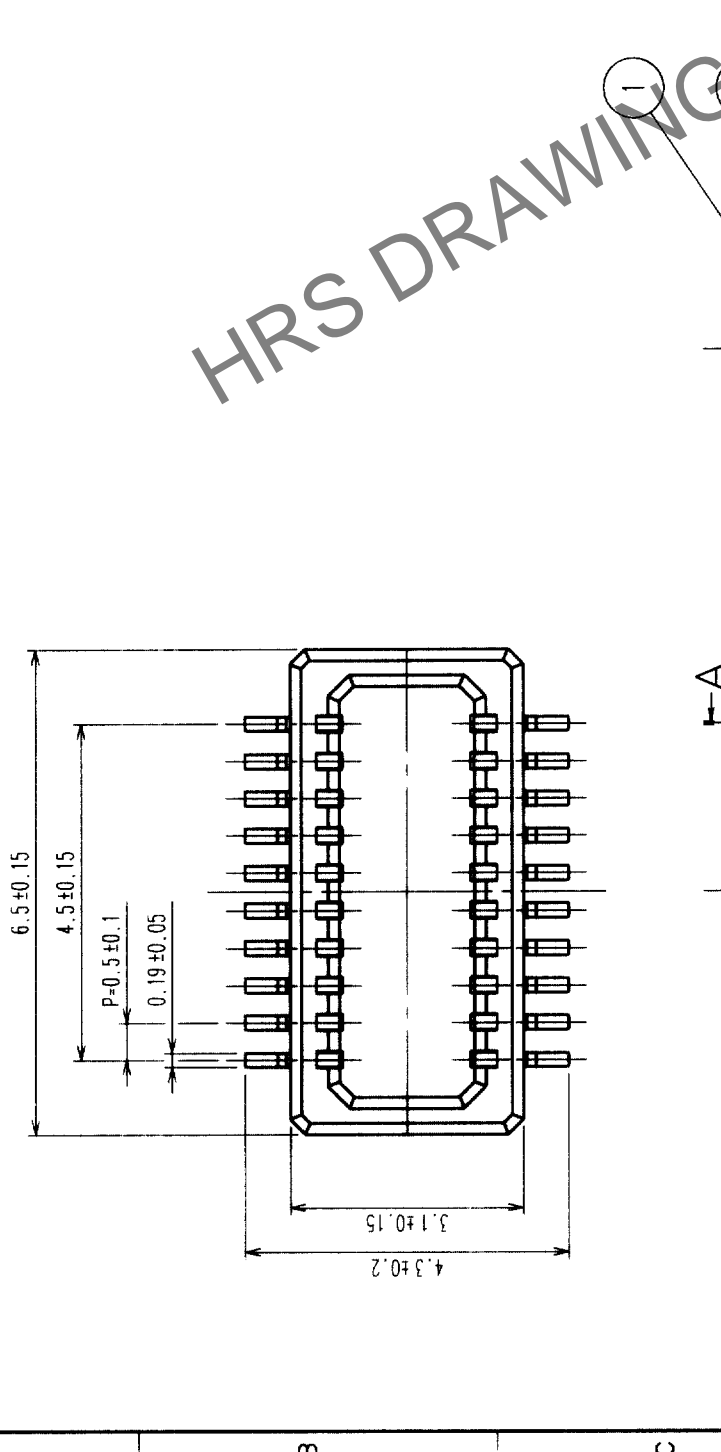
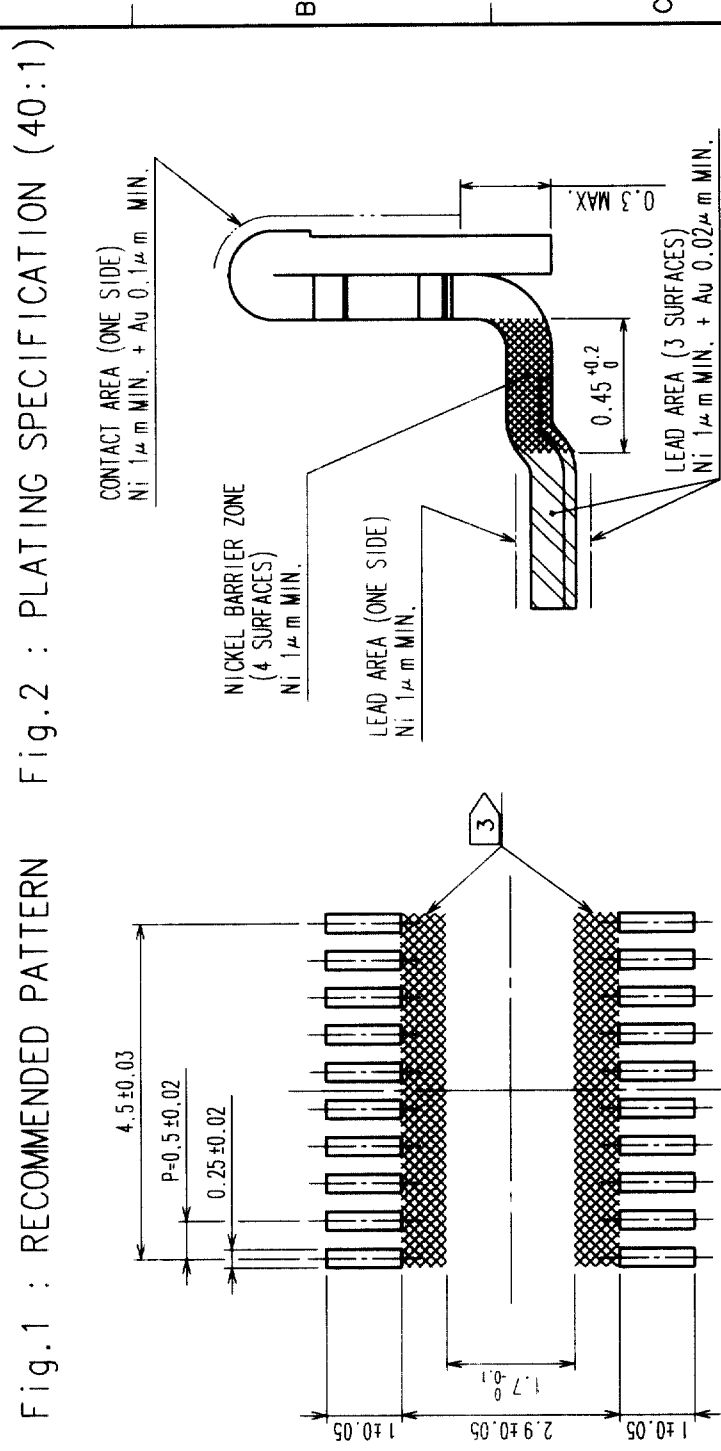


Fig.3 : A-A CROSS SECTION VIEW

Fig.4 : MATING VIEW

2	PHOSPHOR BRONZE	2	POLYESTER	CLEAR	CLEAR
1	LCP	3	PS	CLEAR	CLEAR
NO.	MATERIAL	FINISH, REMARKS	NO.	MATERIAL	FINISH, REMARKS
CODE NO. (OLD)	DRAWN		DESIGNED	CHECKED	APPROVED
	F. Matsuki		T. Yamamoto	T. Sakata	T. Sakata
	'03.12.11		'03.12.11	'03.12.11	'03.12.11
DRAWING NO. EDC3-164003-03		PART NO. DF23C-20DP-0.5V(92)		CODE NO. CL688-0801-8-92	
SCALE 10 : 1		UNITS mm		1 / 2	

NOTES 1 LEAD CO-PLANARITY SHALL BE 0.1mm MAX.
 2 BLACK, UL94V-0
 3 WHEN A PART MARKED WITH HAS A PATTERN BUT NO RESIST ON IT, TAKE CARE TO PREVENT THE CONNECTOR FROM TOUCHING IT.

TO	



In case of consideration for using Automotive equipment / device which demand high reliability, kindly contact our sales window correspondents.

Oct.1.2025 Copyright 2025 HIROSE ELECTRIC CO., LTD. All Rights Reserved.

Fig.6 : REEL DIMENSIONS (FREE)

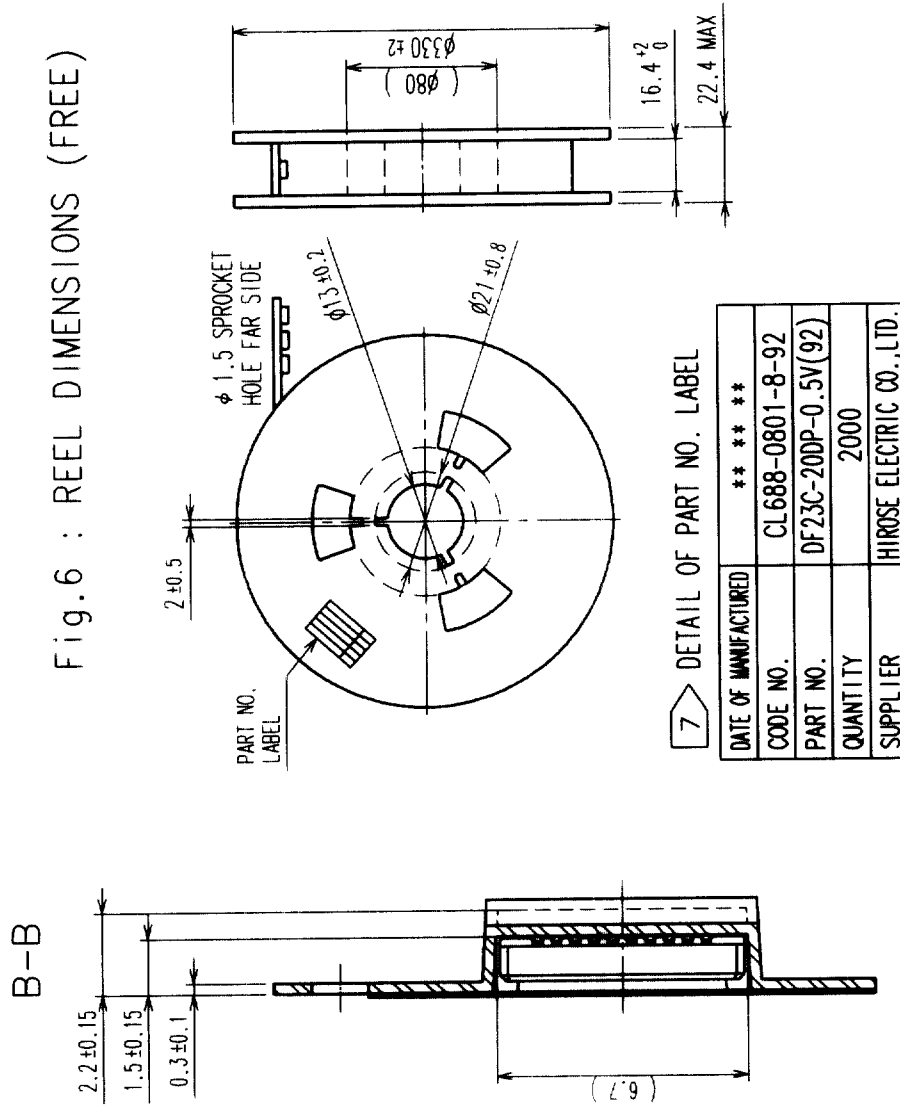


Fig.7 : PACKAGING SPECIFICATION (FREE)

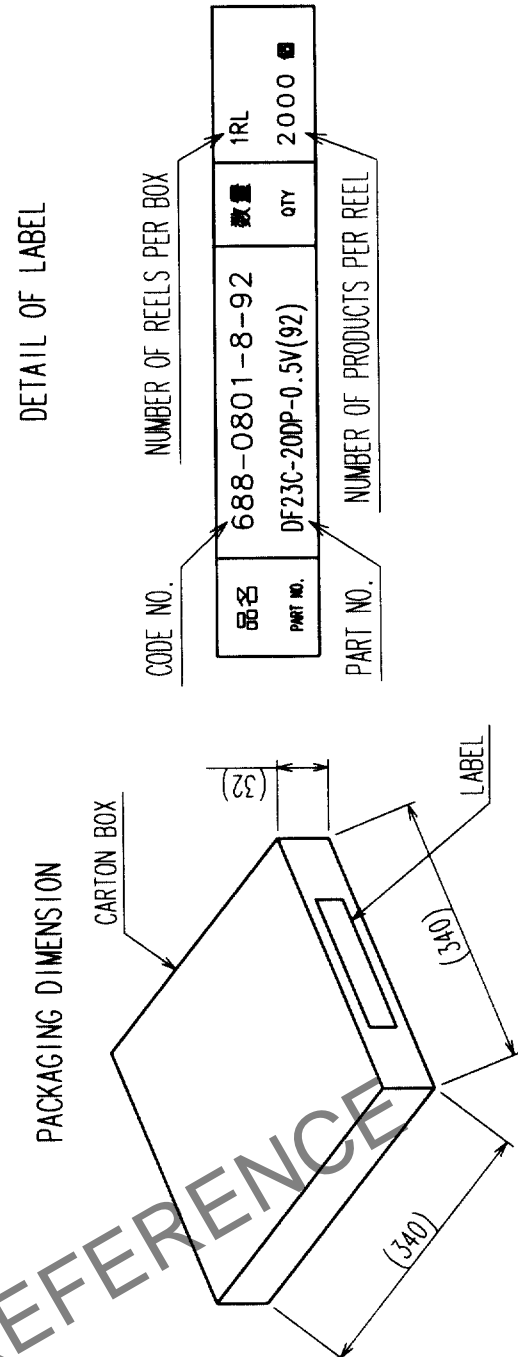
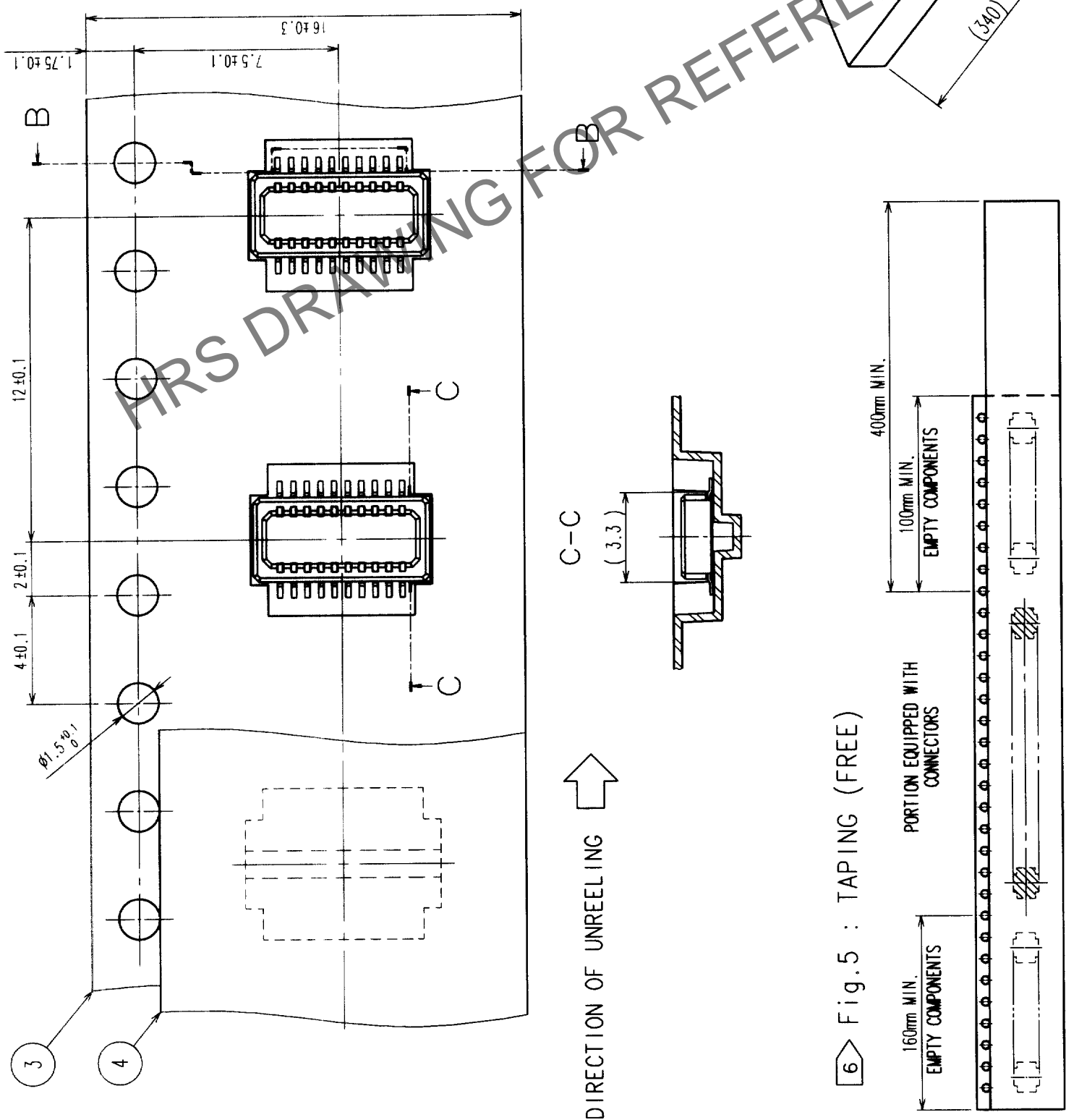


Fig.5 : TAPING (FREE)



TRAILER LEADER

NOTES

4 PER REEL 2000 CONNECTORS

5 THE DIMENSIONS IN PARENTHESES ARE FOR REFERENCE.

6 REFER TO JIS C 0806 (PACKAGING OF COMPONENTS FOR AUTOMATIC HANDLING)

7 DETAIL OF PART NO. LABEL IS WRITTEN IN JAPANESE.

CODE NO. (OLD)	DRAWN	DESIGNED	CHECKED	APPROVED	RELEASED
	F. Matsuki	J. Yamamoto	J. Saito	J. Saito	
	'03.12.11	'03.12.11	'03.12.11	'03.12.11	
DRAWING NO.	PART NO.		RELEASED		
EDC3-164003-03	DF23C-20DP-0.5V(92)				
SCALE	CODE NO.		RELEASED		
5 : 1	CL688-0801-8-92				
UNITS	HIROSE ELECTRIC CO., LTD.				
mm					

TO

8