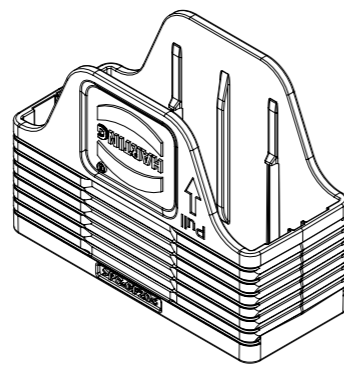


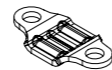
01 x2pcs



02 (enclosed) x1 piece



03 (enclosed) x2 pcs



04 (enclosed) x1 piece

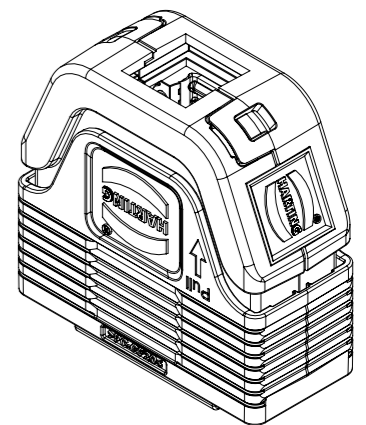
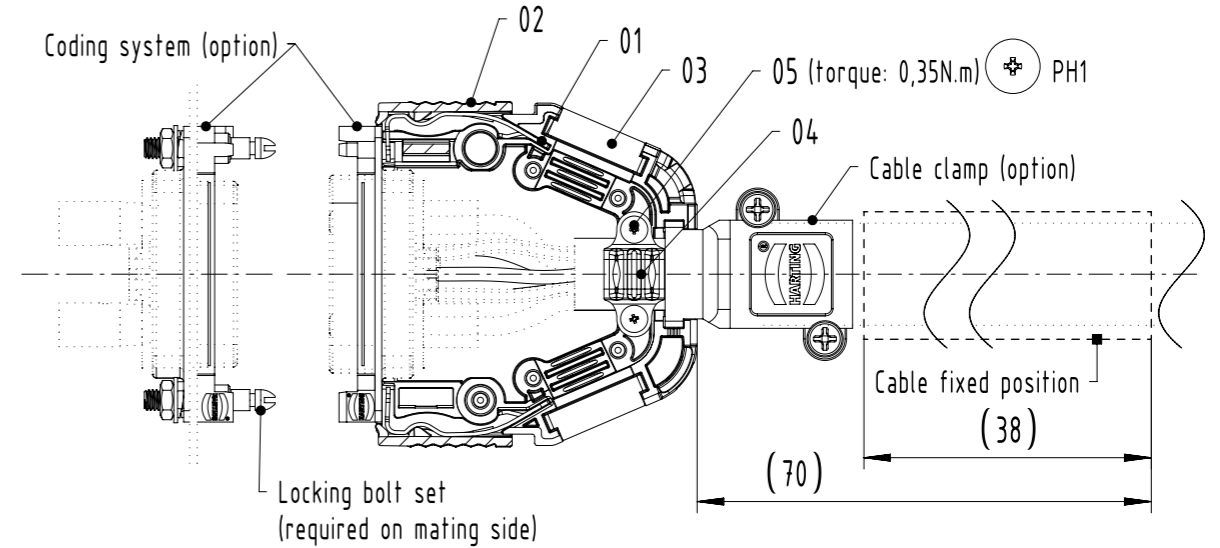
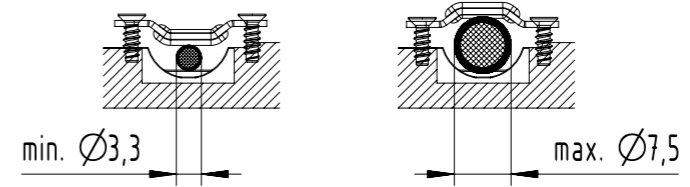


05 (enclosed) x2 pcs

05	--	ISO 7050-ST2,2x6,5-A2-20H-F-H	x2
04	--	D-Sub ca-clamp for 9P, 15P hood	x1
03	--	D-sub PC plastic blank piece for 9 to 37 pole hood	x2
02	--	D-Sub NAH 15P Moveable cover	x1
01	--	D-sub NAH 15P Hood with coding+lock spring	x2
1	09 67 015 0200 160	D-Sub_CCH_S2_PP_PL_FC	1 set
ITEM NO.	PART NUMBER	PART NAME	QTY

Recommended assembly:

Inner cable clamp application



	All rights reserved Department EL PD	All Dimensions in mm Original Size DIN A3		Scale 1:1	Free size tol.	Ref. Sub.	
		Created by wene	Inspected by luok	Standardisation	Date 19-Mar-2025	State 40 - Released	
HARTING D-32339 Espelkamp		Title D-Sub_CCH_S2_PP_PL_FC			SAP Mat. Number 09670150200160	Doc-Key / ECM-Nr. DS00244380	
		Type TB	Design Number DS00244380			Rev. C	Page 1/1