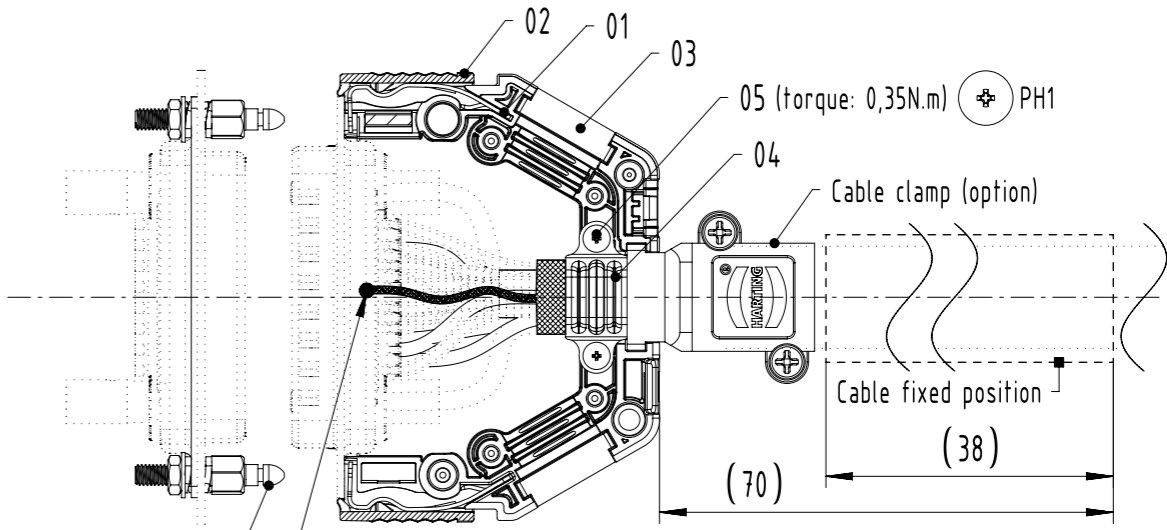
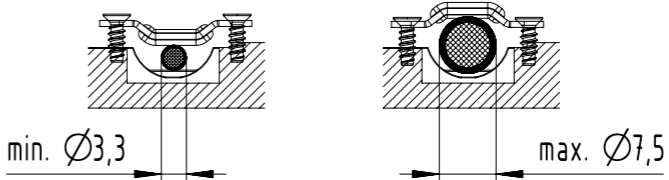


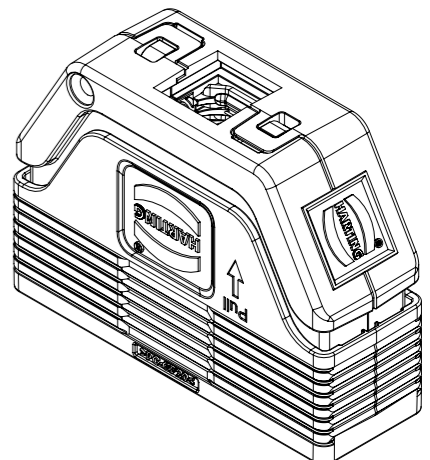
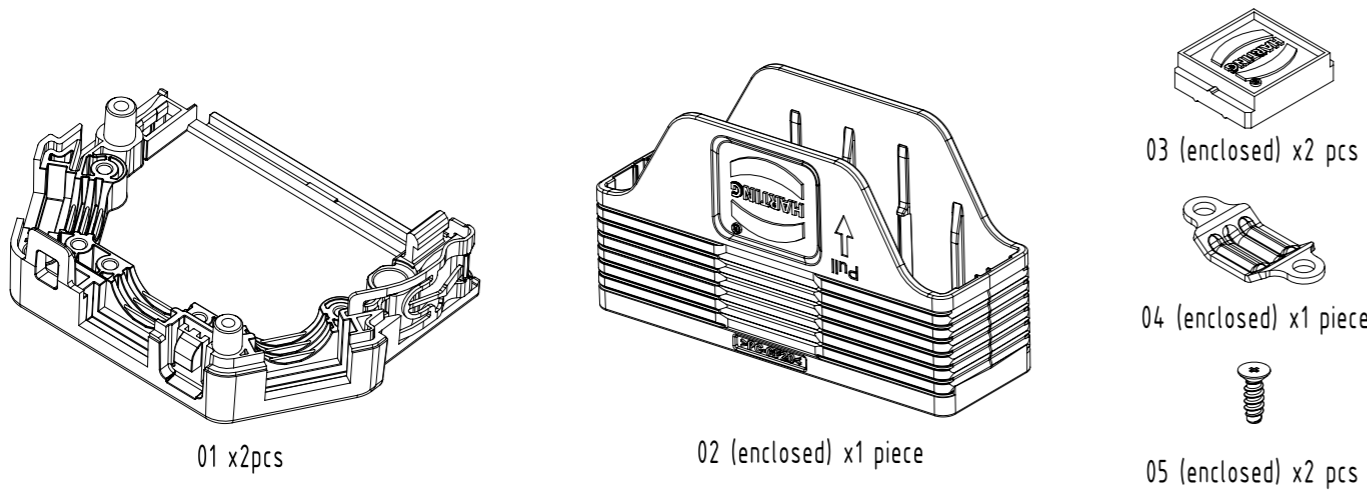
Recommended assembly:

Inner cable clamp application



Locking bolt set (required on mating side)

It is necessary that the screen of the cable is connected to the D-sub shell for metalized version of this product with a low-resistance electrical connection (wire $\geq 0,75 \text{ mm}^2$), if the application needs to fulfil the requirements for transfer impedance acc. to VG 95373-25, pic. 1: 2016-02 of shielded cable



05	--	ISO 7050-ST2,2x6,5-A2-20H-F-H	x2
04	--	D-Sub ca-clamp for 25P, 37P, 50P hood	x1
03	--	plastic metallized blank piece 9P-37P	x2
02	--	D-Sub NAH 25P Moveable cover	x1
01	--	D-sub NAH 25P Hood metallized+lock spring	x2
1	09 67 025 0210	D-Sub_CCH_S3_PP_PL_PLA	1 set
ITEM NO.	PART NUMBER	PART NAME	QTY

	All rights reserved Department EL PD	All Dimensions in mm Original Size DIN A3		Scale 1:1	Free size tol.	Ref. Sub.
		Created by wene	Inspected by luok	Standardisation	Date 19-Mar-2025	State 40 - Released
HARTING D-32339 Espelkamp		Title D-Sub_CCH_S3_PP_PL_PLA			Doc-Key / ECM-Nr. DS00244358	Rev. D Page 1/1
		Type TB	Design Number DS00244358	SAP Mat. Number 09670250210		