
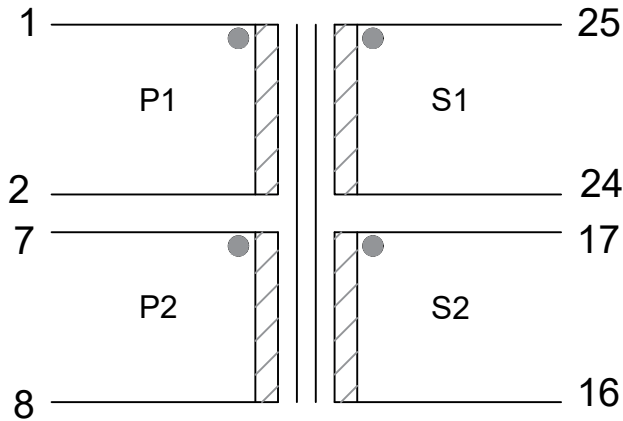


Product Type	PCB Mountable Power Transformer (35VA)		
GT Part Number	L01-607X	Index	
Customer Part Number	-----		
Customer	SCHUKAT		
Place of Manufacture	GT Electronic India		

Page: 01 / 02

SCHEMATIC:



TECHNICAL DATA:

- ◆ Input Voltage = 2x115V
- ◆ Operating Frequency = 50 / 60Hz
- ◆ Ambient Temp. = T 70/F
- ◆ Isolation class VDE = F 155°C
- ◆ Prim. to Sec. Isolation = 4kV (PRI to SEC)
- ◆ Approbation = VDE, UL, CE
- ◆ Efficiency = 82%
- ◆ External Fuse 200mA (stb) at 230V

Note:

Series connection - Connect primaries pins 2 & 7 together and apply 230 volts across pins 1 & 8 connect pins 24 to 17 and take the output across pins 25 & 16

Parallel connection - Connect primaries pins 1 & 7 together and pins 2 & 8 together, apply 115 volts across pins 1 & 2 connect pins 24 to 16 and 25 to 17 take the output across pins 17 & 16

ELECTRICAL SPECIFICATION:

GT Part No.	Output voltage	Output Current I_{sec}	No load voltage (U_o)	RDC	Weight	SPQ
L01-6072	2x12V	1458mA	2x14.0V	2x0.53Ω	525 g/pc	12 pcs
L01-6073	2x15V	1167mA	2x17.6V	2x0.84Ω		
L01-6074	2x18V	972mA	2x20.9V	2x1.10Ω		
L01-6075	2x22V	795mA	2x25.7V	2x1.34Ω		

MARKING INFORMATION: (on case top side)

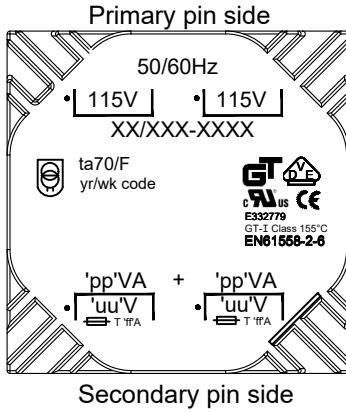
GT Part No.	XX/XXX-XXXX	'pp'	'uu'	'ff'
L01-6072	S8/L01-6072	17.5	12	1.6
L01-6073	S8/L01-6073	17.5	15	1.25
L01-6074	S8/L01-6074	17.5	18	1.0
L01-6075*	Type L01-6075	17.5	22	0.8

*' Not VDE APPROVED

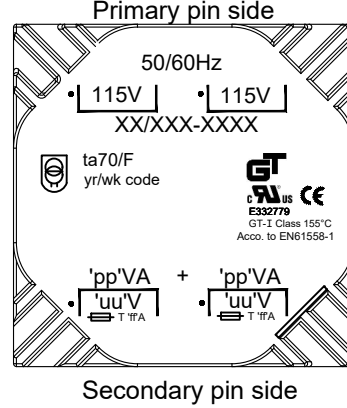


Product Type	PCB Mountable Power Transformer (35VA)	
GT Part Number	L01-607X	Index
Customer Part Number	-----	
Customer	SCHUKAT	
Place of Manufacture	GT Electronic India	

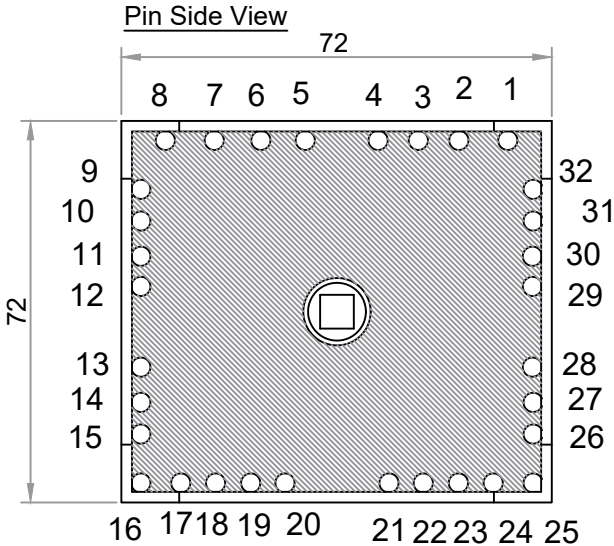
MARKING FORMAT:



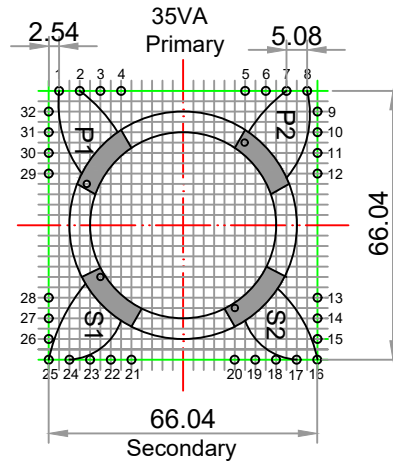
MARKING FORMAT: '*' Marked Types:



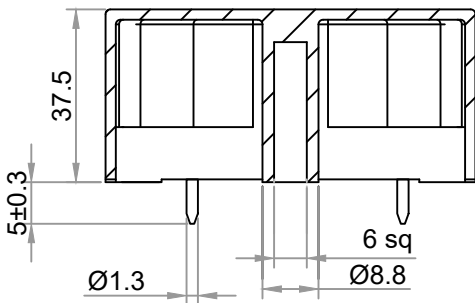
MECHANICAL SPECIFICATION:



Pin pitch/grid ensured by jig according following hole arrangement (in mounting direction)



Side (Cross - Sectional) View



All Dimensions are in mm
Linear Dimensional Tolerance ±0.2mm

This product may contain harmful substances, it may require proper disposal subject to statutory & regulatory laws defined by the local governance of its own country/region as applicable at the time of disposal.

Date:			Approval of Customer :		
-----Initial Issue-----	1	0	D.Kirubakaran	Musthak.K	21-08-2024
Changes	Issue	Rev	Prepared	Reviewed	Date