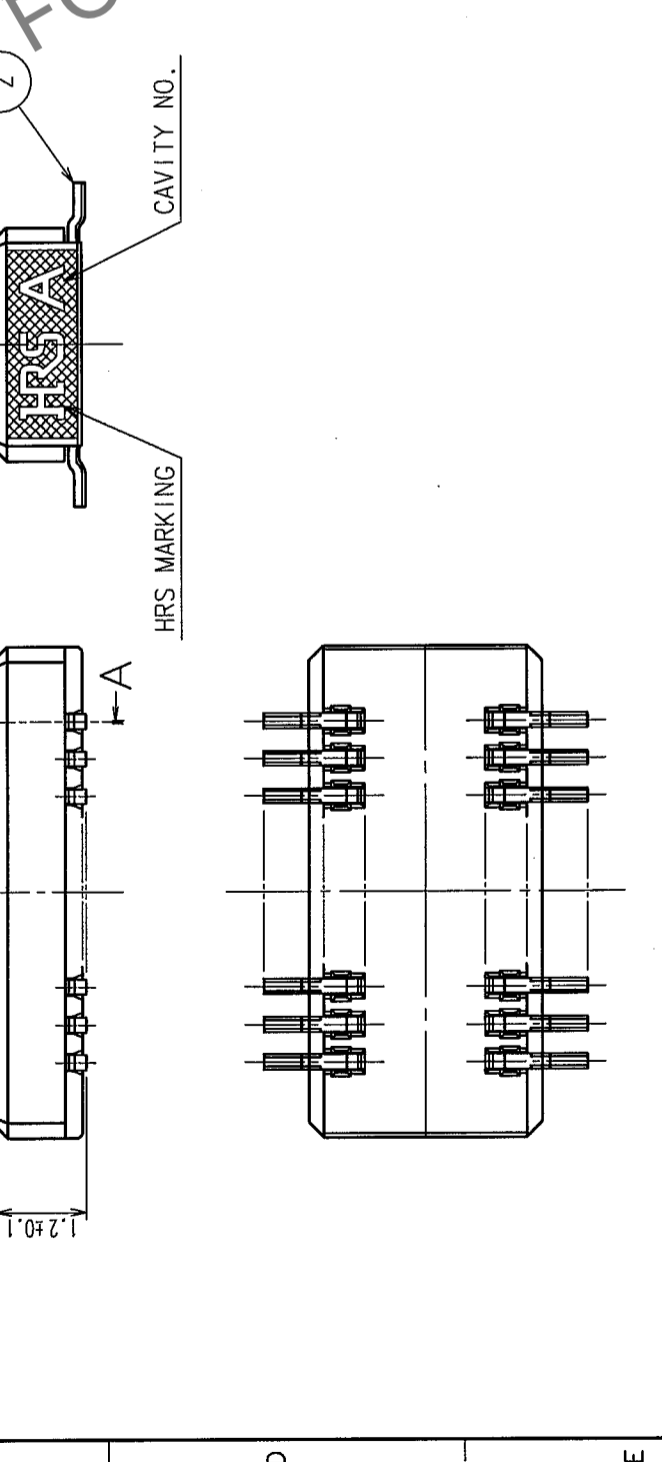
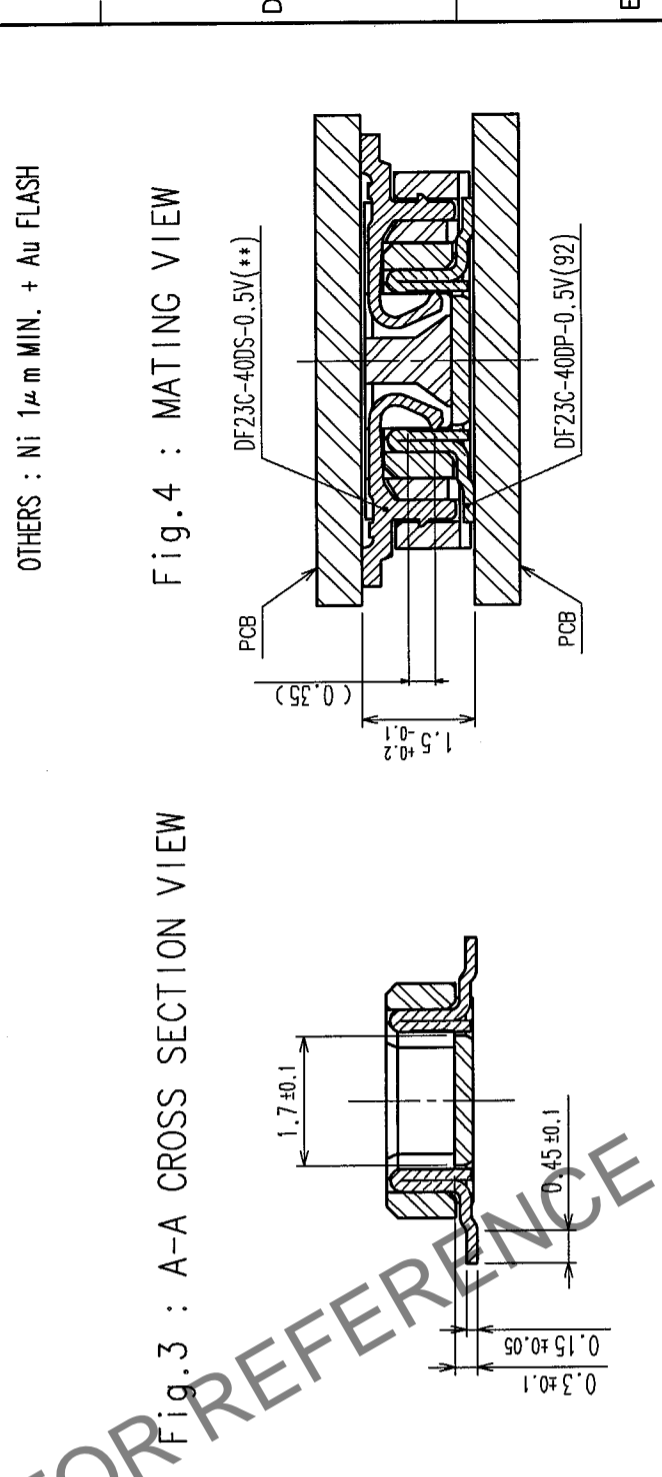
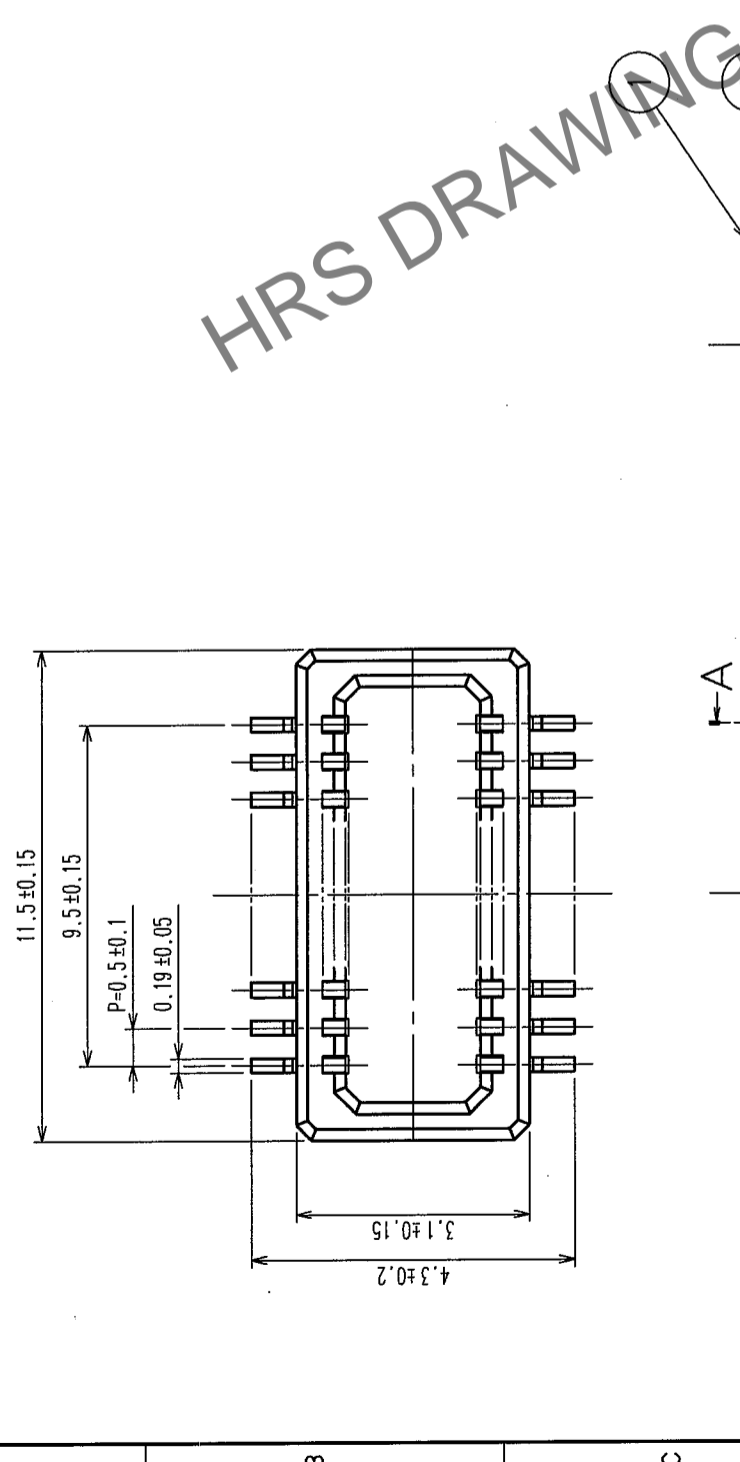
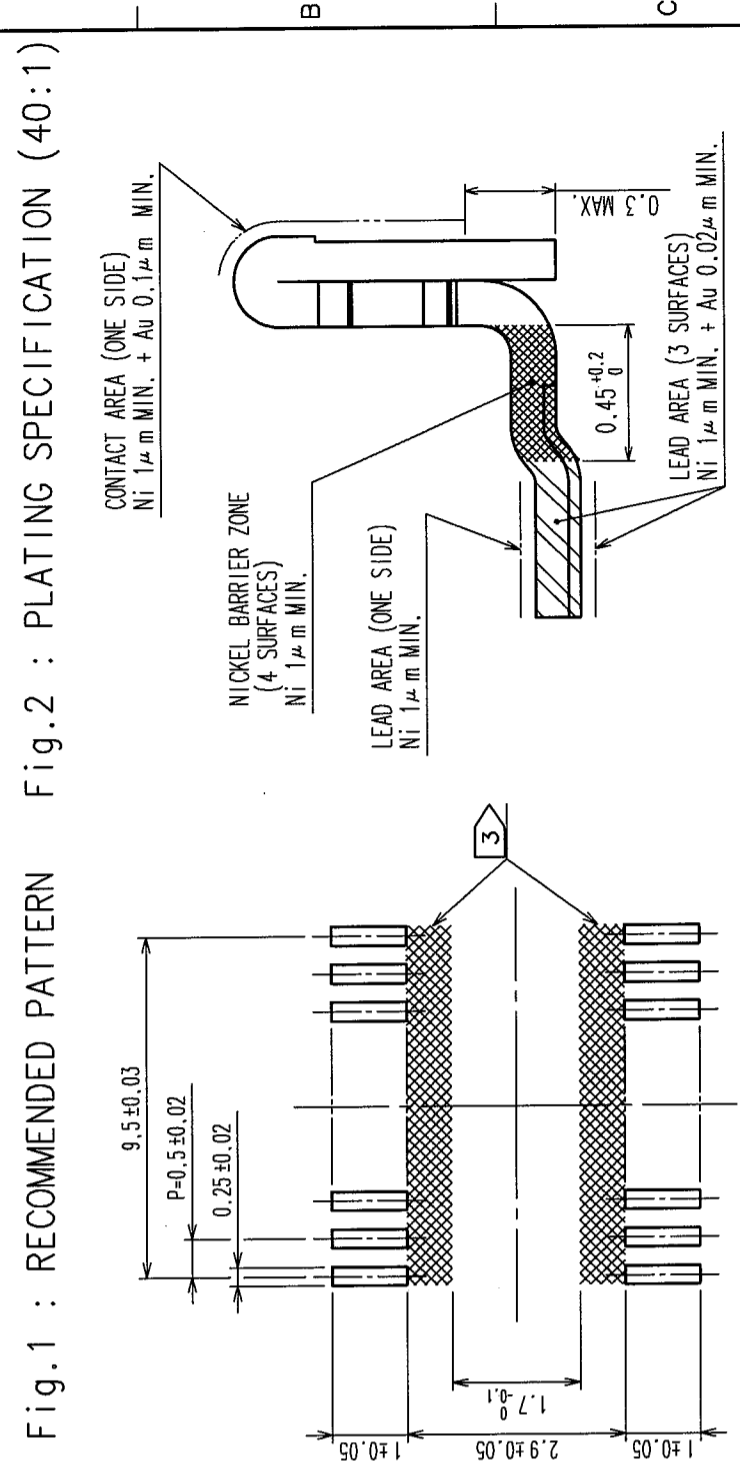


COUNT	DESCRIPTION OF REVISIONS	BY	CHKD	DATE	COUNT	DESCRIPTION OF REVISIONS	BY	CHKD	DATE



NO.	MATERIAL	FINISH, REMARKS	NO.	MATERIAL	FINISH, REMARKS
2	PHOSPHOR BRONZE	②	4	POLYESTER	CLEAR
1	LCP	BLACK, UL94V-0	3	PS	CLEAR

CODE NO. (OLD)	DRAWN	DESIGNED	CHECKED	APPROVED	RELEASED
	F. Matsuki	T. Yamamoto	T. Sakata	T. Sakata	
	'04.01.15	'04.1.15	'04.1.16	'04.1.16	

DRAWING NO.	PART NO.
EDC3-164005-02	DF23C-40DP-0.5V(92)

SCALE	UNITS	CODE NO.
10 : 1	mm	CL688-0803-3-92

NOTES 1 LEAD CO-PLANARITY SHALL BE 0.1mm MAX.  
 ② REFER TO Fig.2  
 ③ WHEN A PART MARKED WITH HAS A PATTERN BUT NO RESIST ON IT, TAKE CARE TO PREVENT THE CONNECTOR FROM TOUCHING IT.

Sep.1.2025 Copyright 2025 HIROSE ELECTRIC CO., LTD. All Rights Reserved.  
In case of consideration for using Automotive equipment / device which demand high reliability, kindly contact our sales window correspondents.

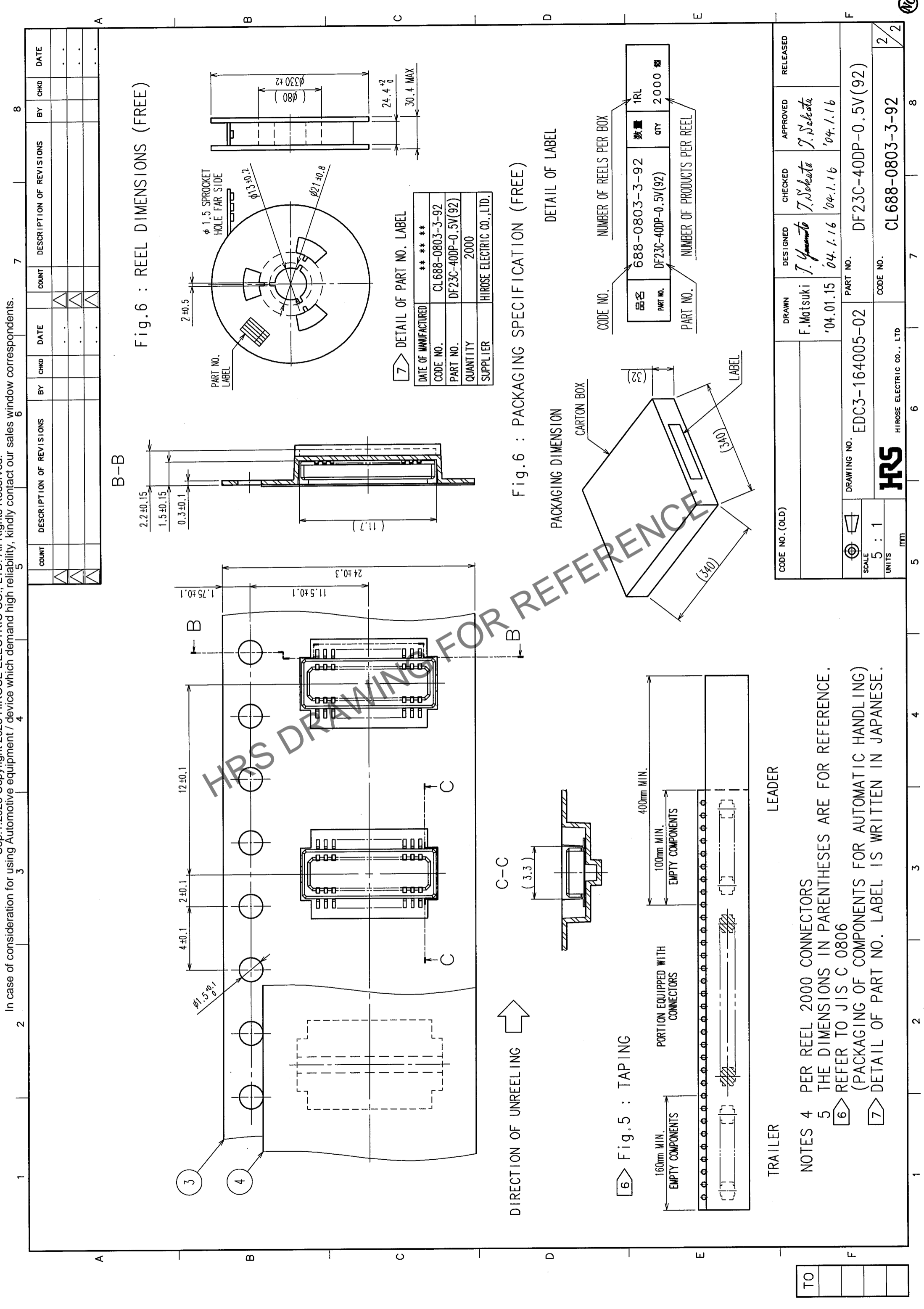


Fig.6 : REEL DIMENSIONS (FREE)

Fig.6 : PACKAGING SPECIFICATION (FREE)

Fig.5 : TAPING

7 **DETAIL OF PART NO. LABEL**

DATE OF MANUFACTURED	*****
CODE NO.	CL688-0803-3-92
PART NO.	DF23C-40DP-0.5V(92)
QUANTITY	2000
SUPPLIER	HIROSE ELECTRIC CO.,LTD.

NUMBER OF REELS PER BOX

品名	688-0803-3-92	数量	1RL
PART NO.	DF23C-40DP-0.5V(92)	QTY	2000

NUMBER OF PRODUCTS PER REEL

TO	

NOTES 4 PER REEL 2000 CONNECTORS  
 5 THE DIMENSIONS IN PARENTHESES ARE FOR REFERENCE.  
 6 REFER TO JIS C 0806  
 (PACKAGING OF COMPONENTS FOR AUTOMATIC HANDLING)  
 7 DETAIL OF PART NO. LABEL IS WRITTEN IN JAPANESE.

TRAILER LEADER

CODE NO. (OLD)		DESIGNED	T. Yamamoto	CHECKED	T. Sakata	APPROVED	T. Sakata	RELEASED	
DRAWN	F. Matsuki	DATE	'04.01.15	DATE	'04.1.16	DATE	'04.1.16		
DRAWING NO.	EDC3-164005-02	PART NO.	DF23C-40DP-0.5V(92)						
SCALE	5 : 1								
UNITS	mm								
		CODE NO.	CL688-0803-3-92						