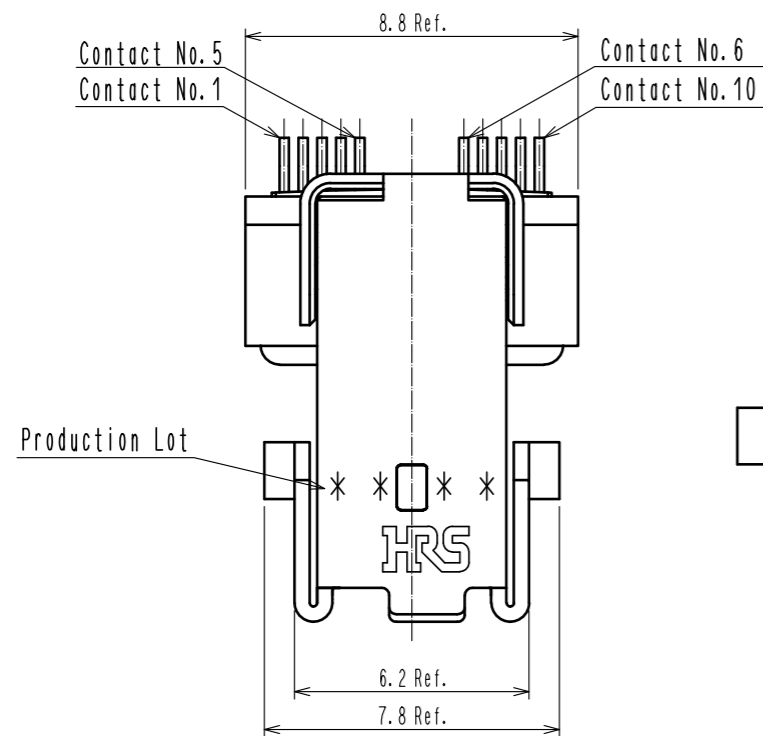
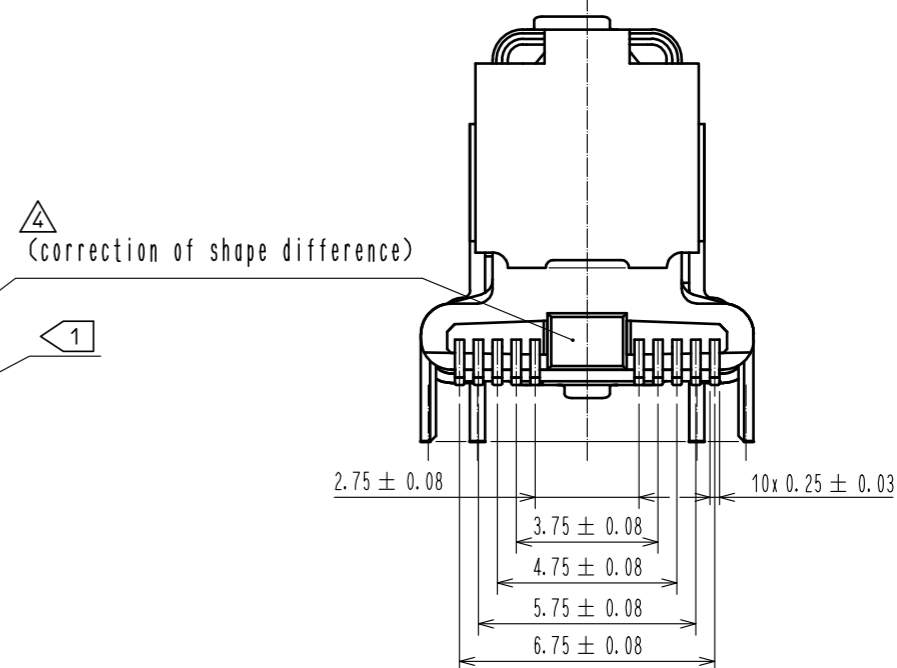
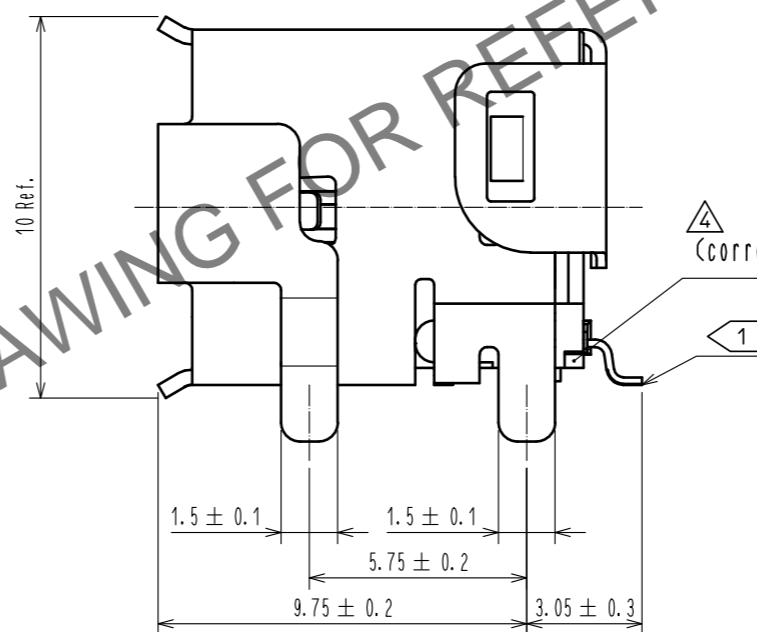
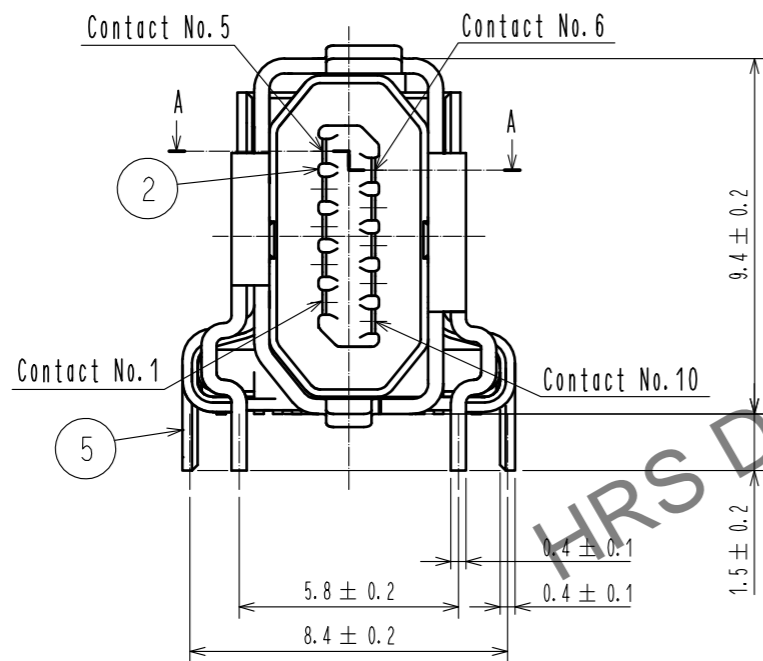
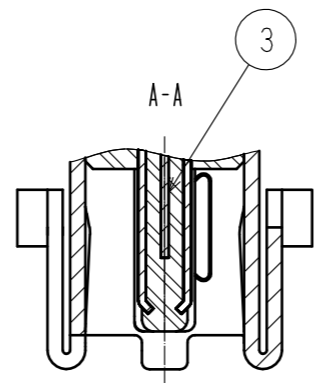


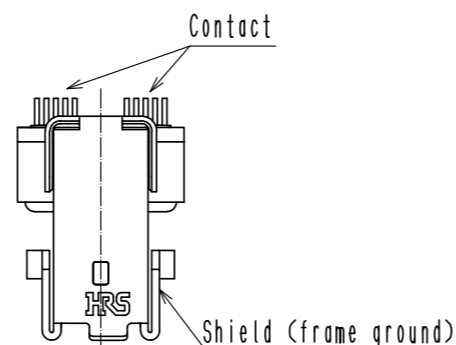
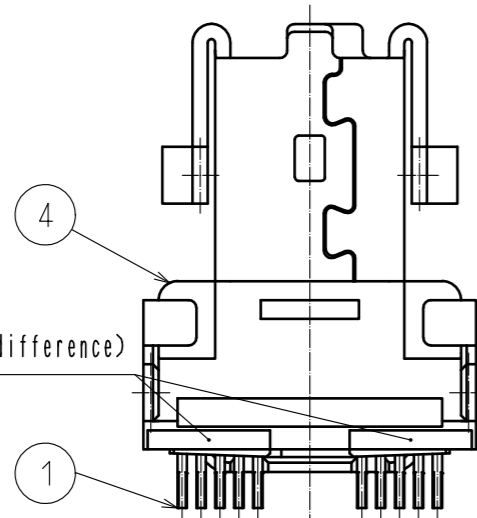
Sep.1.2025 Copyright 2025 HIROSE ELECTRIC CO., LTD. All Rights Reserved.  
 In case of consideration for using Automotive equipment / device which demand high reliability, kindly contact our sales window correspondents.



- Notes. ① Co-planarity is within 0.1 mm.
2. For Part no.5, connector performances is independent from:
- surface with traces due to the production process.
  - allowed deviation in plating appearance between production lots.
- ③ Per reel : 400 pcs.
- ④ Refer to the mated condition diagram for the panel thickness and layout.
5. This product is mounted by reflow soldering.  
 Refer to specification sheet ELC-388563-00-00 for reflow soldering.



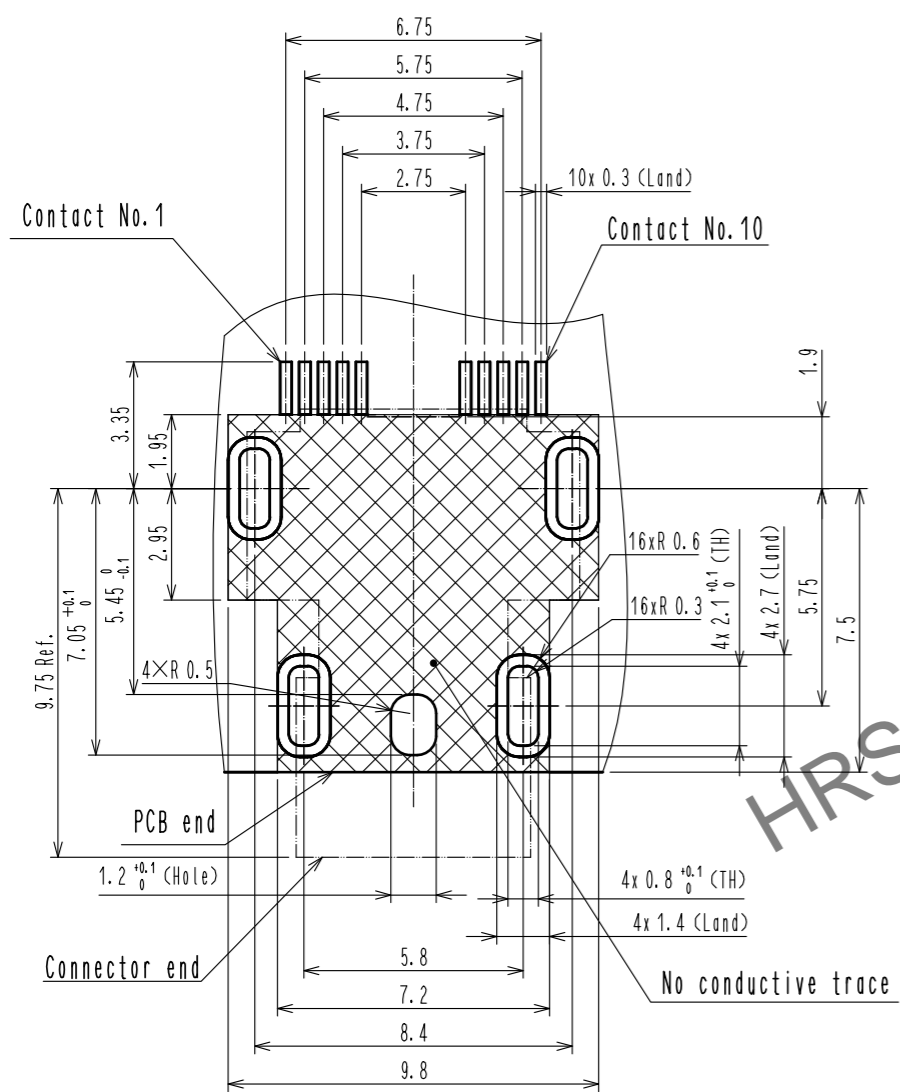
6. Isolate the contact from the shield (frame ground) when using the contact as OV or as signal ground.



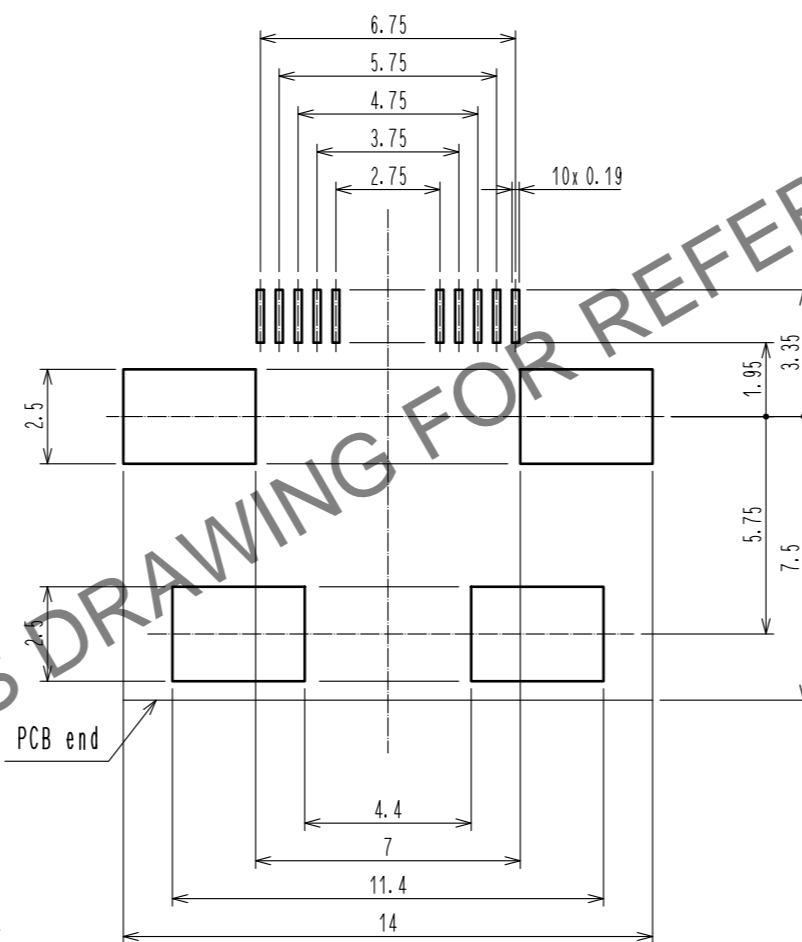
3	Stainless Steel		7	PE	
2	LCP	Gray - UL94V-0	6	PS	
1	Copper Alloy	Contact area : Gold 0.2 μm min. Wiring area : Gold 0.03 μm min. Under plating : Nickel 2 μm min.	5	Stainless Steel	Surface : Tin 1 μm min. Under plating : Nickel 0.2 μm min.
			4	LCP	Gray - UL94V-0
	MATERIAL	FINISH . REMARKS	NO.	MATERIAL	FINISH . REMARKS
UNITS	mm	SCALE	5 : 1	COUNT	2
		DESCRIPTION OF REVISIONS	DESIGNED	CHECKED	DATE
		DIS-E-00015867	TS. SAKAIZAWA	KI. KAGOTANI	20240301
	APPROVED : KI. NAGANUMA	20200221	DRAWING NO. EDC-388563-00-00		
	CHECKED : KI. NAGANUMA	20200221	PART NO. IX61G2-A-10P		
	DESIGNED : JY. IGA	20200221	CODE NO. CL0251-0087-0-00		
	DRAWN : JY. IGA	20200221	④ 1/3		

Sep.1.2025 Copyright 2025 HIROSE ELECTRIC CO., LTD. All Rights Reserved.  
In case of consideration for using Automotive equipment / device which demand high reliability, kindly contact our sales window correspondents.

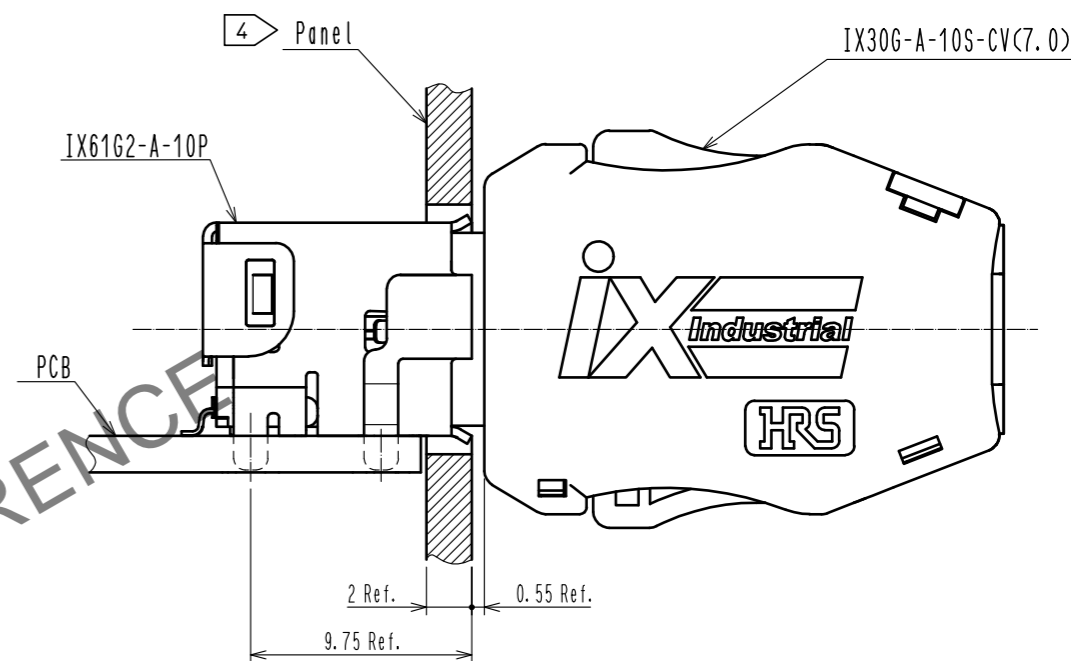
Reference PCB Layout (Connector Mounting Side) (t = 1.6)



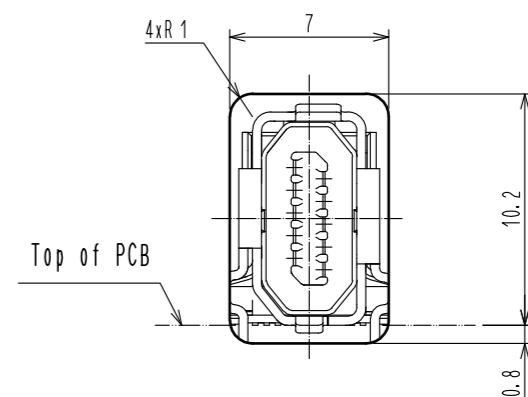
Reference Metal Mask Layout (t = 0.15)



Mated Condition (Free)



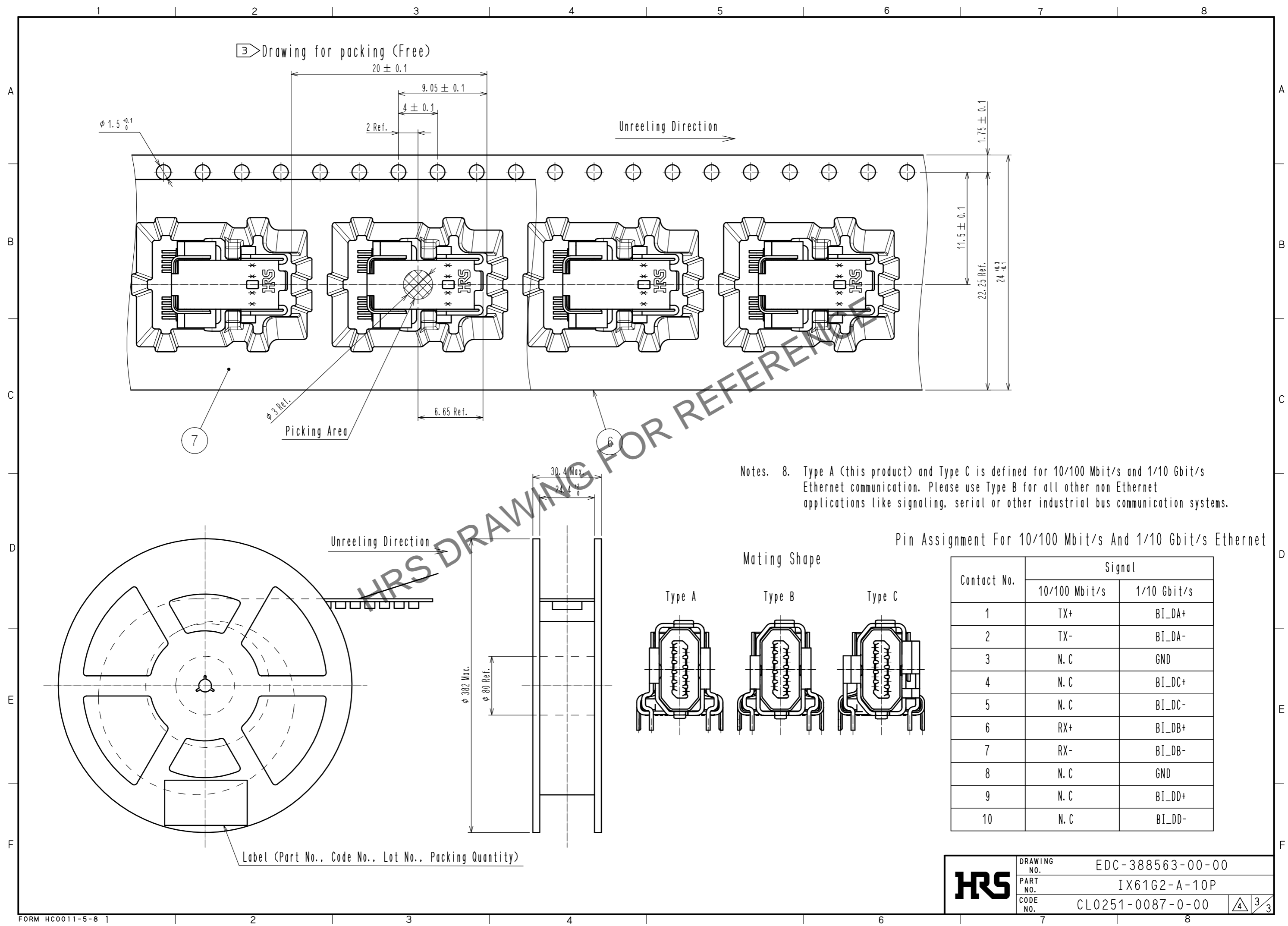
Reference Dimensions of Panel Cutout (Free)



7 Thickness of metal mask is 0.1 mm min.  
 Metal mask dimensions of the drawings described, are reference dimensions for 0.15 mm thickness metal mask.  
 Change the metal mask dimensions by thickness of the metal mask, thickness of PCB, component of solder paste and mounting conditions.  
 Change the metal mask dimensions in case of mounting IX61G2-\*-10P in parallel.  
 Change the metal mask dimensions, if there are other mounting parts or implementation pattern around the portion of mounting position of IX61G2-\*-10P.  
 Refer to the technical specification (ETAD-E3221-00) for different variations of the metal mask pattern width.

<b>HRS</b>	DRAWING NO.	EDC-388563-00-00
	PART NO.	IX61G2-A-10P
	CODE NO.	CL0251-0087-0-00
		4/2/3

Sep.1.2025 Copyright 2025 HIROSE ELECTRIC CO., LTD. All Rights Reserved.  
 In case of consideration for using Automotive equipment / device which demand high reliability, kindly contact our sales window correspondents.



<b>HRS</b>	DRAWING NO.	EDC-388563-00-00
	PART NO.	IX61G2-A-10P
	CODE NO.	CL0251-0087-0-00
		4/3/3