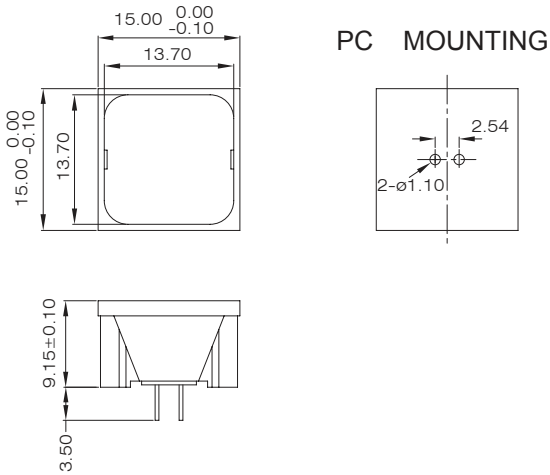


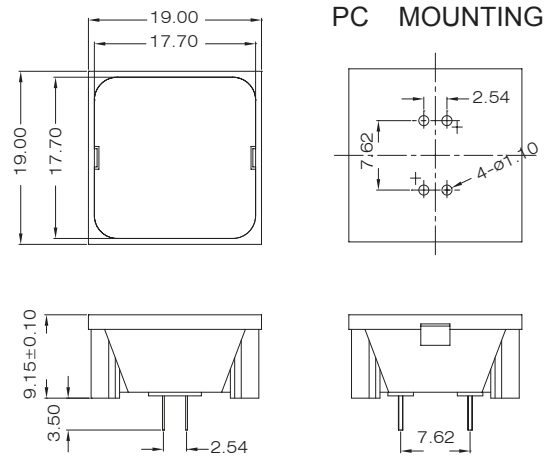


SPECIFICATIONS

DIMENSIONS: 15 x 15 mm, 19 x 19 mm
 OVERALL HEIGHT: 9.7 mm
 ILLUMINATION: Fully illuminated 1 LED
 WAVE SOLDERING: 240°C max.



LT3-15



LT3-19

HOW TO ORDER

LT3 - 15 - HT - B3 - 1 - H

LT3 Series

Size:
 15: 15×15mm
 19: 19×19mm

HT Material:
 = none
 HT = High Temperature

Color panel Type

RoHS Code:
 H = RoHS Compliant

LED color:
 = standard (the actuator is as same as the color of LED)
 1: white
 3: red
 5: yellow
 6: green
 7: blue

Color of panel:
 1: white
 3: red
 5: yellow
 6: green
 7: blue