

Oct.1.2025 Copyright 2025 HIROSE ELECTRIC CO., LTD. All Rights Reserved.
 In case of consideration for using Automotive equipment / device which demand high reliability, kindly contact our sales window correspondents.

COUNT	DESCRIPTION OF REVISIONS	BY	CHKD	DATE	COUNT	DESCRIPTION OF REVISIONS	BY	CHKD	DATE

Fig.1 : RECOMMENDED PATTERN

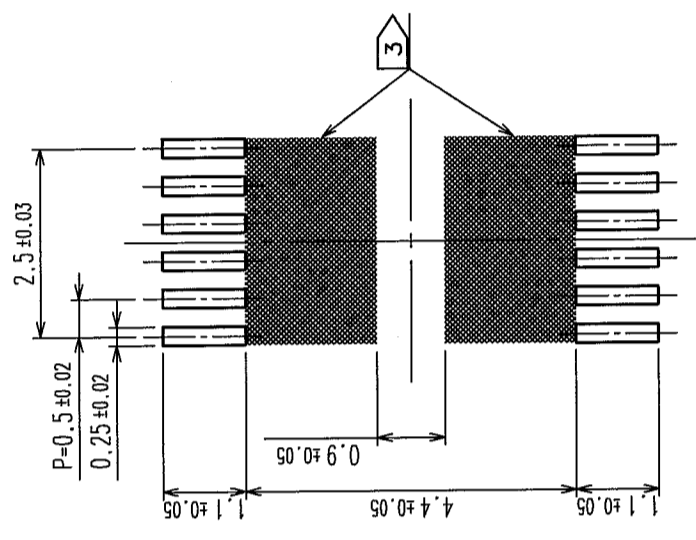


Fig.2 : A-A CROSS SECTION VIEW

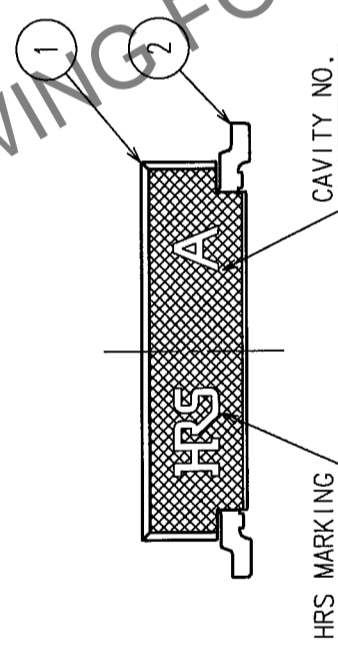
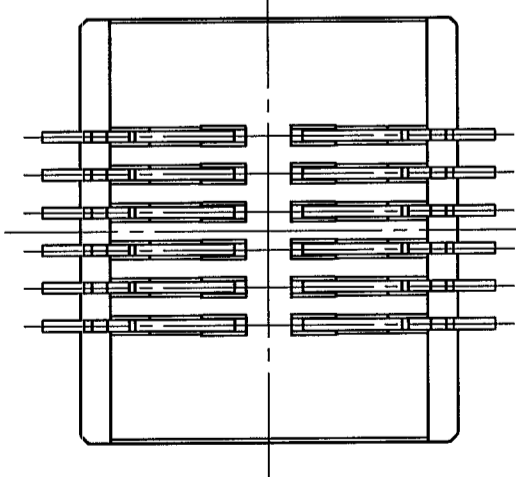
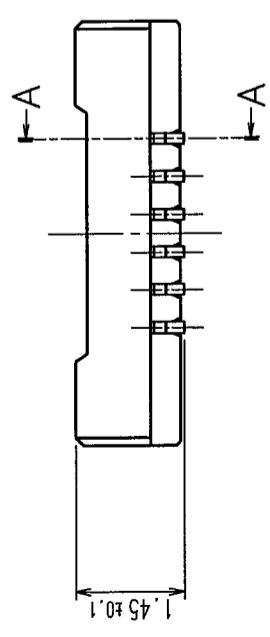
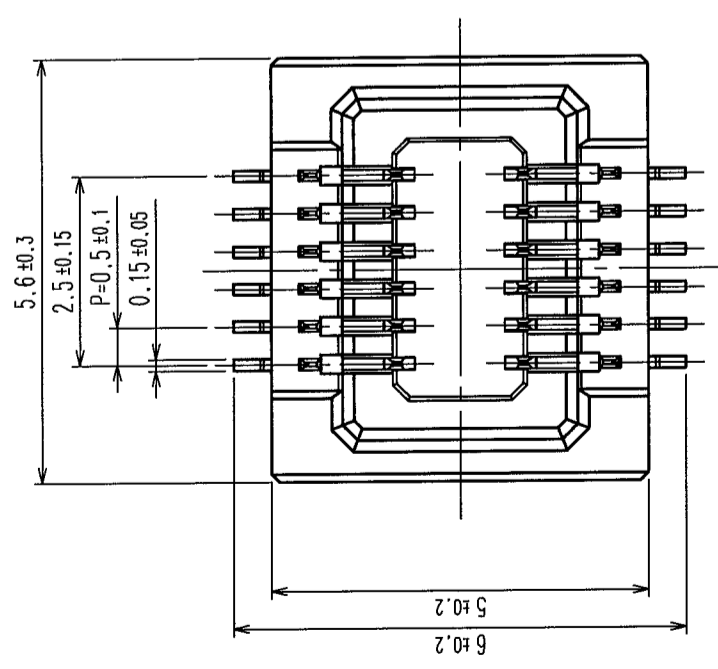
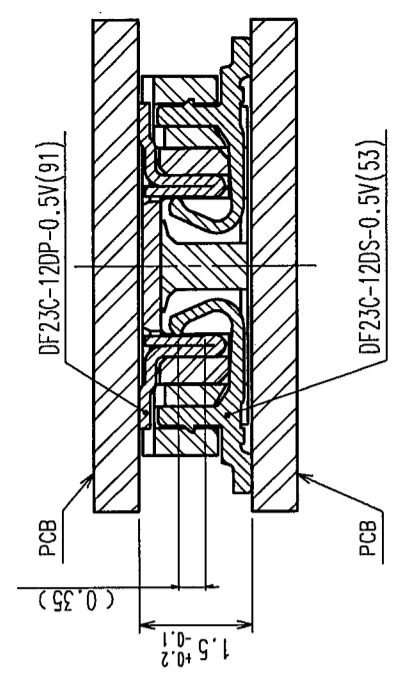


Fig.3 : MATING VIEW



NOTES 1 LEAD CO-PLANARITY SHALL BE 0.1mm MAX.
 2 PLATING

CONTACT AREA : GOLD 0.1μm MIN.
 LEAD AREA : GOLD 0.02μm MIN.
 UNDER PLATING : NICKEL 1μm MIN.

3 WHEN A PART MARKED WITH ■ HAS A PATTERN BUT NO RESIST ON IT, TAKE CARE TO PREVENT THE CONNECTOR FROM TOUCHING IT.

NO.	PHOSPHOR BRONZE	FINISH, REMARKS	NO.	POLYESTER	FINISH, REMARKS	NO.	MATERIAL	FINISH, REMARKS
2	PHOSPHOR BRONZE		4	POLYESTER	CLEAR			
1	LCP	BLACK, UL94V-0	3	PS	CLEAR			

CODE NO. (OLD)	DRAWN	DESIGNED	CHECKED	APPROVED	RELEASED
	M. Nakamoto	T. Yamamoto	T. Sakata	T. Sakata	
	'04.09.30	'04.9.30	'04.9.30	'04.9.30	

DRAWING NO.	PART NO.
EDC3-302690-02	DF23C-12DS-0.5V(53)

SCALE	UNITS	CODE NO.
10 : 1	mm	CL688-0309-7-53

TO

HIROSE ELECTRIC CO., LTD

1/2

Oct.1.2025 Copyright 2025 HIROSE ELECTRIC CO., LTD. All Rights Reserved.
 2 In case of consideration for using Automotive equipment / device which demand high reliability, kindly contact our sales window correspondents.

COUNT	DESCRIPTION OF REVISIONS	BY	CHKD	DATE	COUNT	DESCRIPTION OF REVISIONS	BY	CHKD	DATE

Fig.5 : REEL DIMENSIONS (FREE)

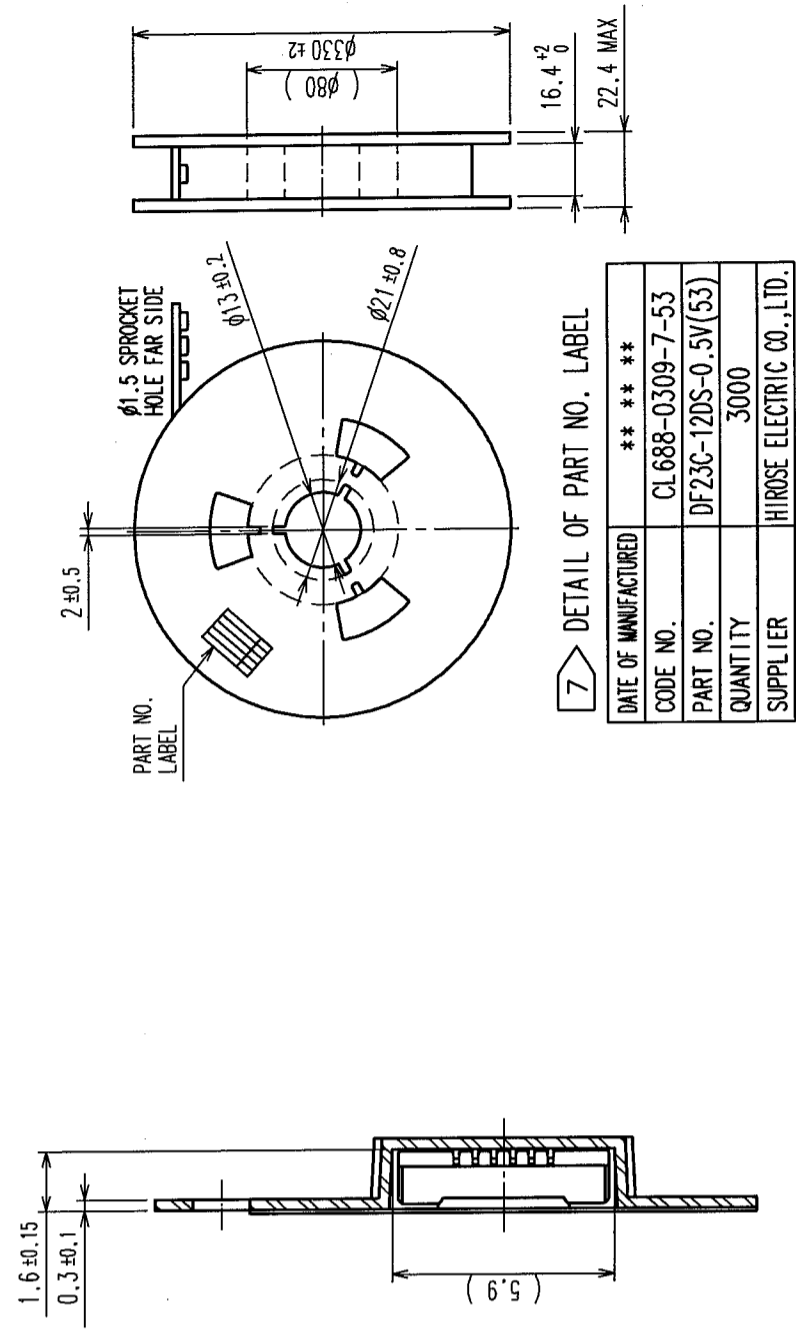
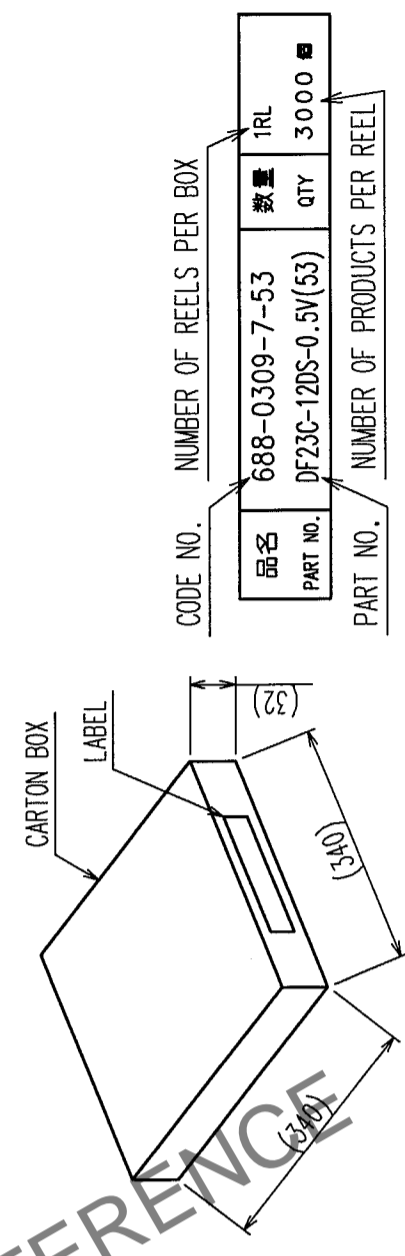
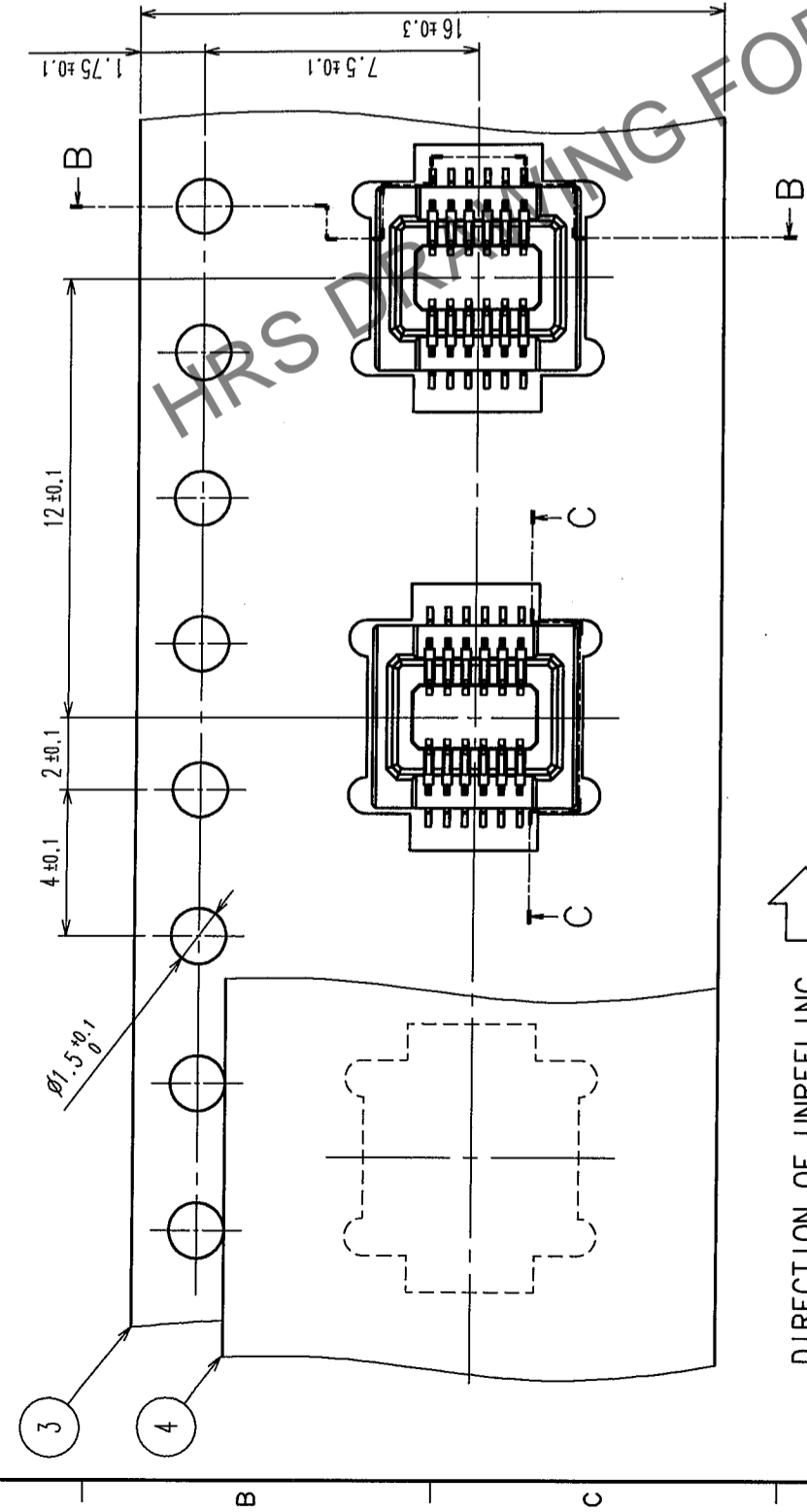


Fig.6 : PACKAGING SPECIFICATION (FREE)



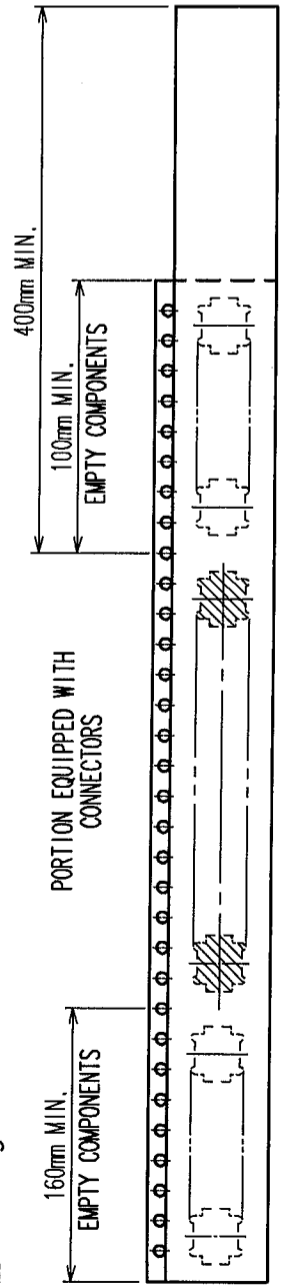
DETAIL OF LABEL

CODE NO. (OLD)	DRAWN	DESIGNED	CHECKED	APPROVED	RELEASED
	M. Nakamoto	T. Yamamoto	T. Sabeuta	T. Sabeuta	
	'04.09.30	'04.9.30	'04.9.30	'04.9.30	
DRAWING NO.	EDC3-302690-02		PART NO.	DF23C-12DS-0.5V(53)	
SCALE	5 : 1		CODE NO.	CL688-0309-7-53	
UNITS	mm				



DIRECTION OF UNREELING →

Fig.4 : TAPING



NOTES
 4 PER REEL 3000 CONNECTORS
 5 THE DIMENSIONS IN PARENTHESES ARE FOR REFERENCE
 6 REFER TO JIS C 0806 (PACKAGING OF COMPONENTS FOR AUTOMATIC HANDLING)
 7 DETAIL OF PART NO. LABEL IS WRITTEN IN JAPANESE.

TO	