

Oct.1.2025 Copyright 2025 HIROSE ELECTRIC CO., LTD. All Rights Reserved.
In case of consideration for using Automotive equipment / device which demand high reliability, kindly contact our sales window correspondents.

COUNT	DESCRIPTION OF REVISIONS	BY	CHKD	DATE	COUNT	DESCRIPTION OF REVISIONS	BY	CHKD	DATE
2	DIS-H-002181	T.Y		7.11.07.03					

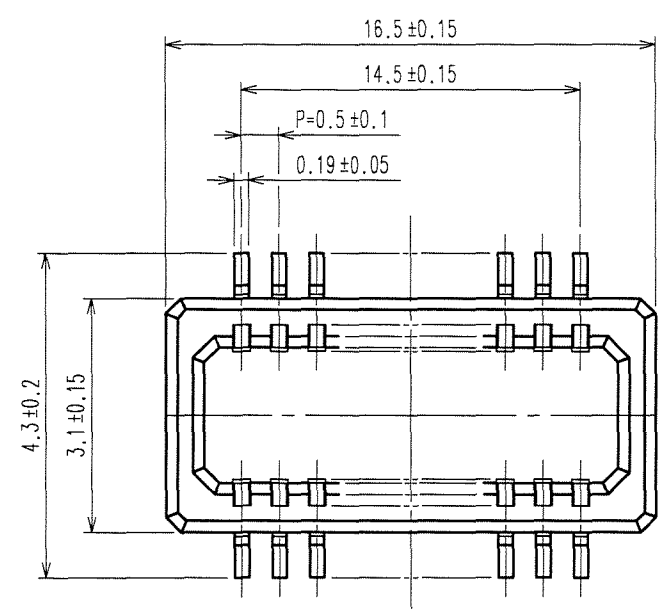


Fig.1 : RECOMMENDED PATTERN

Fig.2 : PLATING SPECIFICATION (40:1)

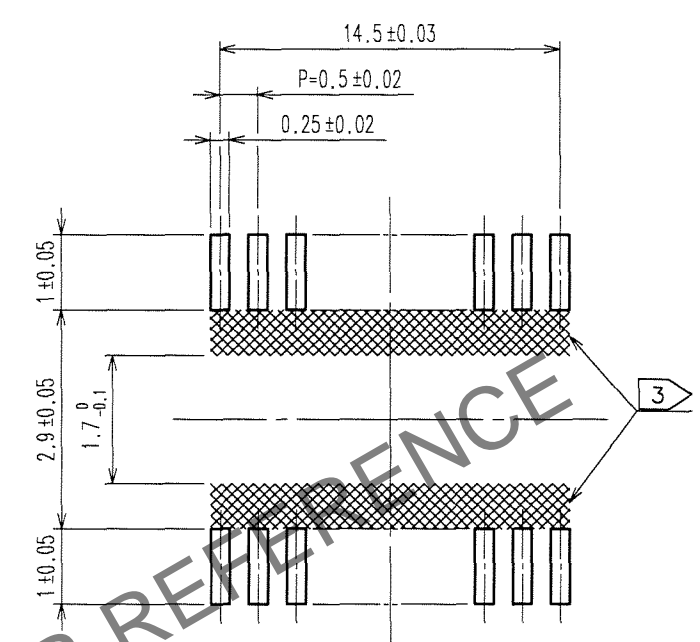


Fig.3 : A-A CROSS SECTION VIEW

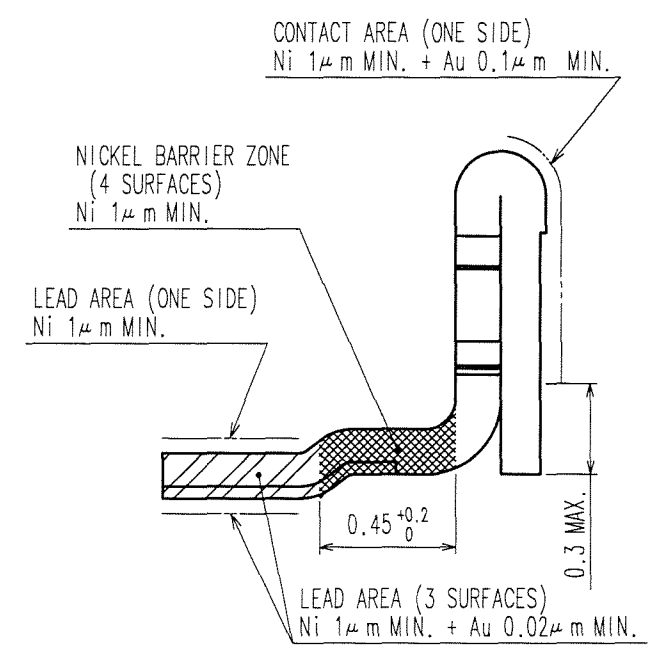
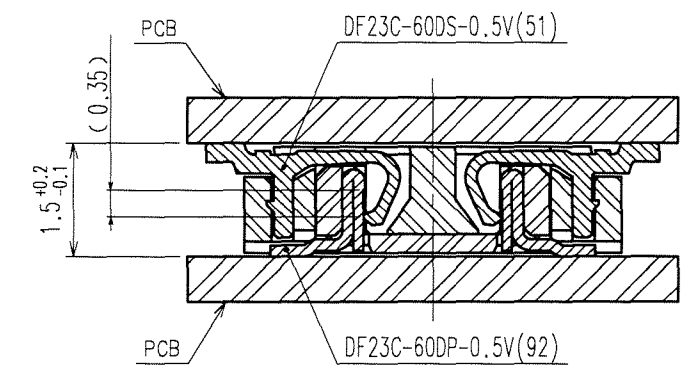
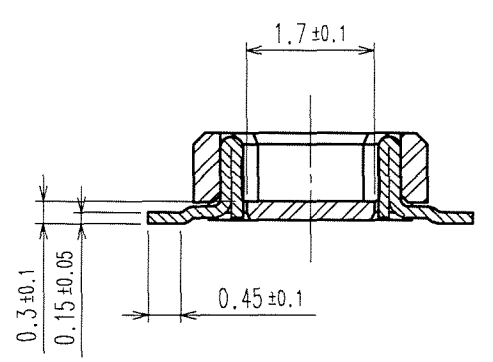
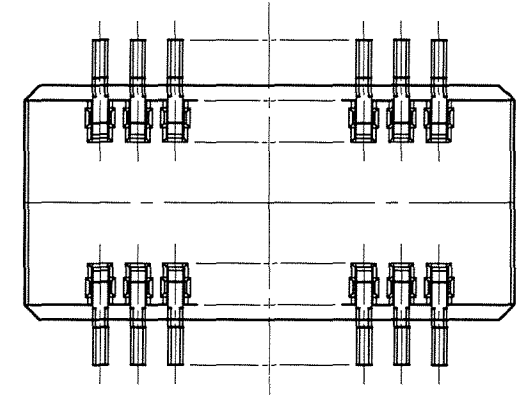
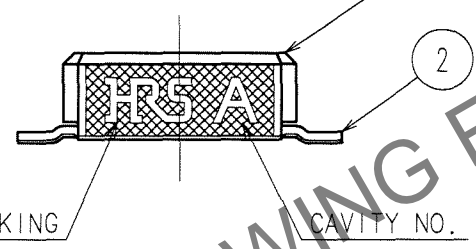
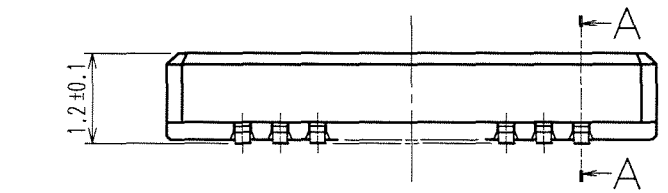


Fig.4 : MATING VIEW



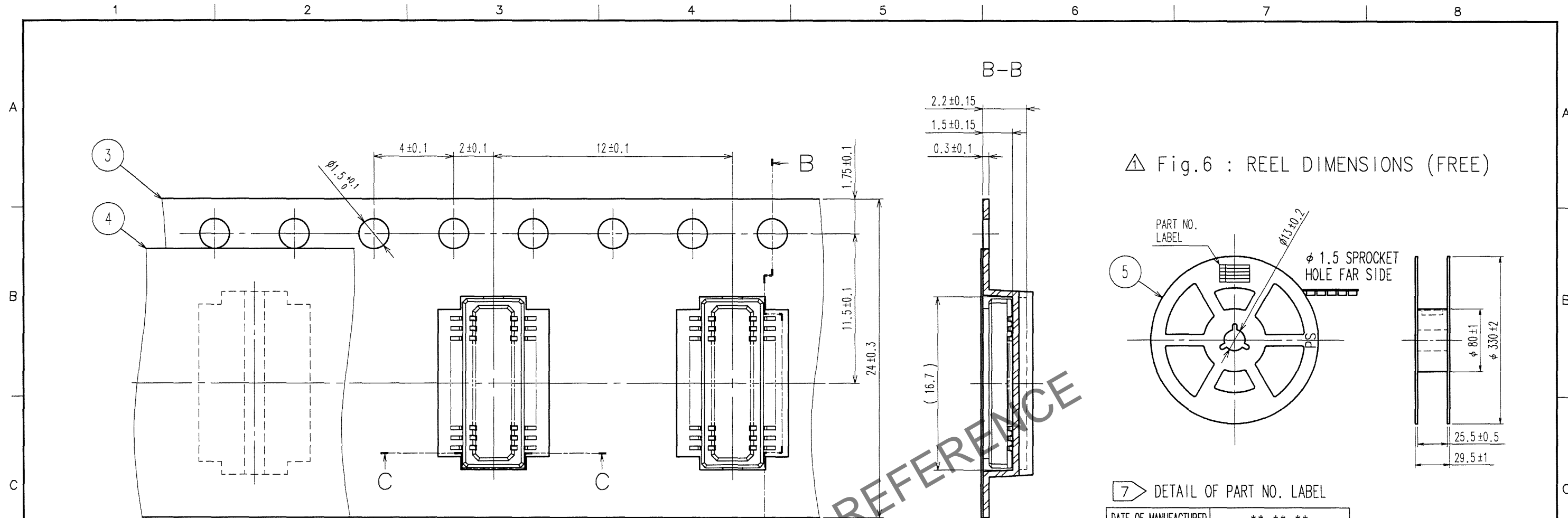
NOTES 1 LEAD CO-PLANARITY SHALL BE 0.1mm MAX.
 2 REFER TO Fig.2
 3 WHEN A PART MARKED WITH HAS A PATTERN BUT NO RESIST ON IT, TAKE CARE TO PREVENT THE CONNECTOR FROM TOUCHING IT.

NO.	MATERIAL	FINISH, REMARKS	NO.	MATERIAL	FINISH, REMARKS
2	PHOSPHOR BRONZE	2	5	PS	BLACK(PLASTIC REEL)
1	LCP	BLACK,UL94V-0	4	POLYESTER	CLEAR
			3	PS	CLEAR

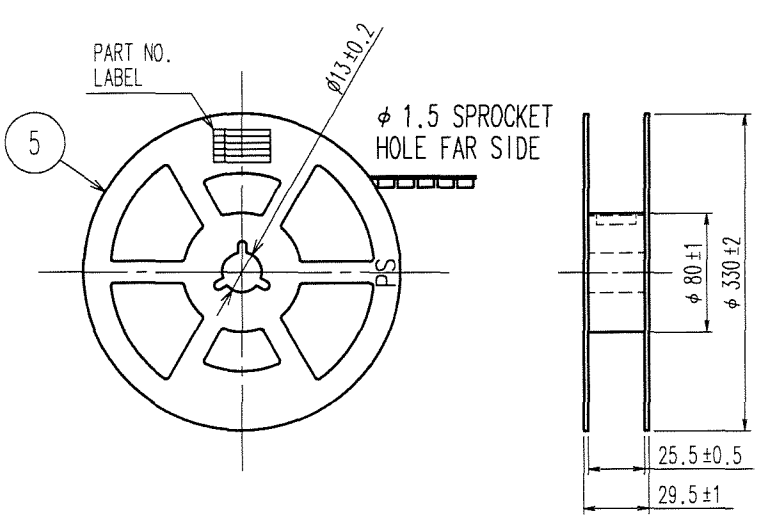
CODE NO. (OLD)	DRAWN	DESIGNED	CHECKED	APPROVED	RELEASED
	F.Matsuki	T.Yamamoto	T.SAKATA	T.SAKATA	
	'03.12.04	'03.12.04	'03.12.04	'03.12.04	

SCALE	DRAWING NO.	PART NO.
10 : 1	EDC3-164007-01	DF23C-60DP-0.5V(92)
UNITS	HIROSE ELECTRIC CO., LTD	CODE NO.
mm		CL688-0805-9-92

Oct.1.2025 Copyright 2025 HIROSE ELECTRIC CO., LTD. All Rights Reserved.
In case of consideration for using Automotive equipment / device which demand high reliability, kindly contact our sales window correspondents.



△ Fig.6 : REEL DIMENSIONS (FREE)

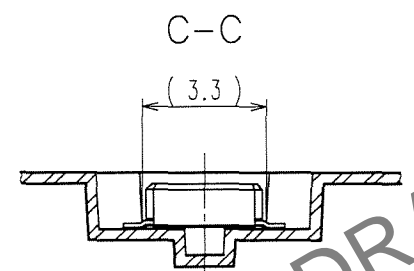


7 > DETAIL OF PART NO. LABEL

DATE OF MANUFACTURED	*** ** *
CODE NO.	CL688-0805-9-92
PART NO.	DF23C-60DP-0.5V(92)
QUANTITY	2000
SUPPLIER	HIROSE ELECTRIC CO.,LTD.

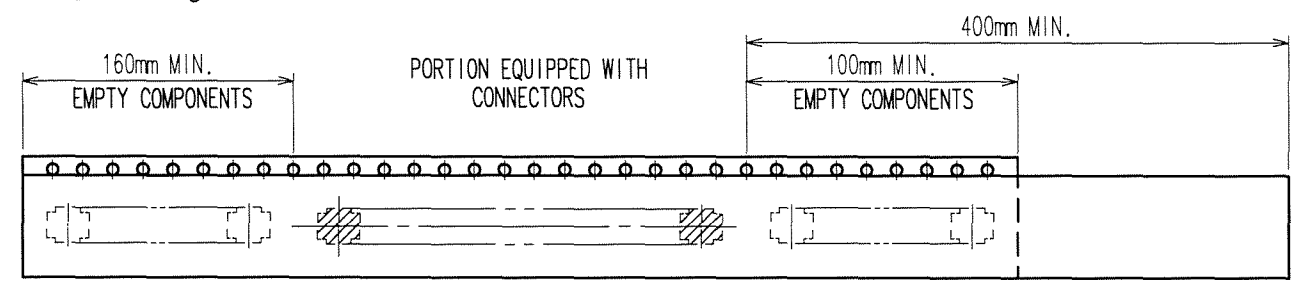
Fig.6 : PACKAGING SPECIFICATION (FREE)

DIRECTION OF UNREELING →

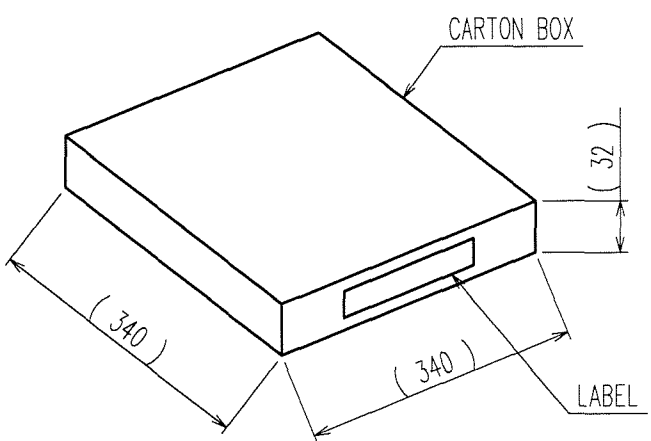


HRS DRAWING FOR REFERENCE

6 > Fig.5 : TAPING



PACKAGING DIMENSION



DETAIL OF LABEL

CODE NO.	688-0805-9-92	NUMBER OF REELS PER BOX	1RL
品名	688-0805-9-92	数量	1RL
PART NO.	DF23C-60DP-0.5V(92)	QTY	2000 個
PART NO.	NUMBER OF PRODUCTS PER REEL		

TRAILER

LEADER

- NOTES
- 4 PER REEL 2000 CONNECTORS
 - 5 THE DIMENSIONS IN PARENTHESES ARE FOR REFERENCE.
 - 6 REFER TO JIS C 0806 (PACKAGING OF COMPONENTS FOR AUTOMATIC HANDLING)
 - 7 DETAIL OF PART NO. LABEL IS WRITTEN IN JAPANESE.

CODE NO. (OLD)	DRAWN	DESIGNED	CHECKED	APPROVED	RELEASED
	F.Matsuki	T.Yamamoto	T.Sakata	T.Sakata	
	'03.12.04	'03.12.04	'03.12.04	'03.12.04	
SCALE	DRAWING NO.		PART NO.		
5 : 1	EDC3-164007-01		DF23C-60DP-0.5V(92)		
UNITS	HRS HIROSE ELECTRIC CO., LTD		CODE NO.		2/2
mm			CL688-0805-9-92		