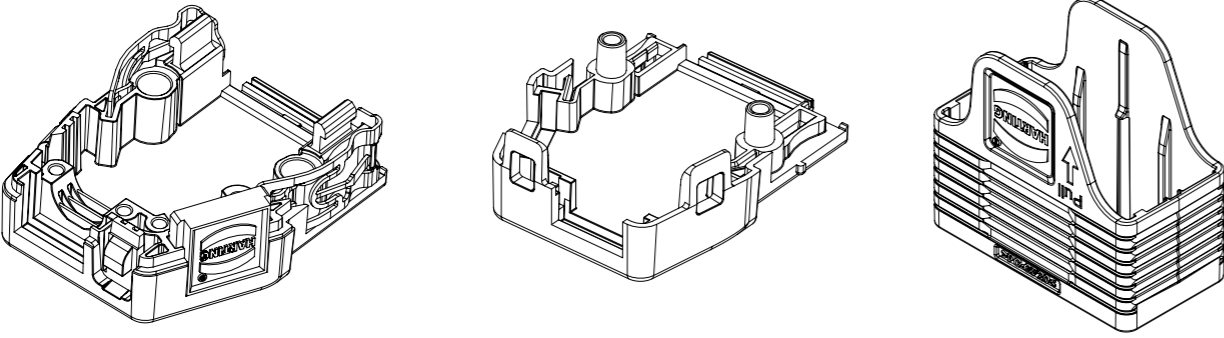
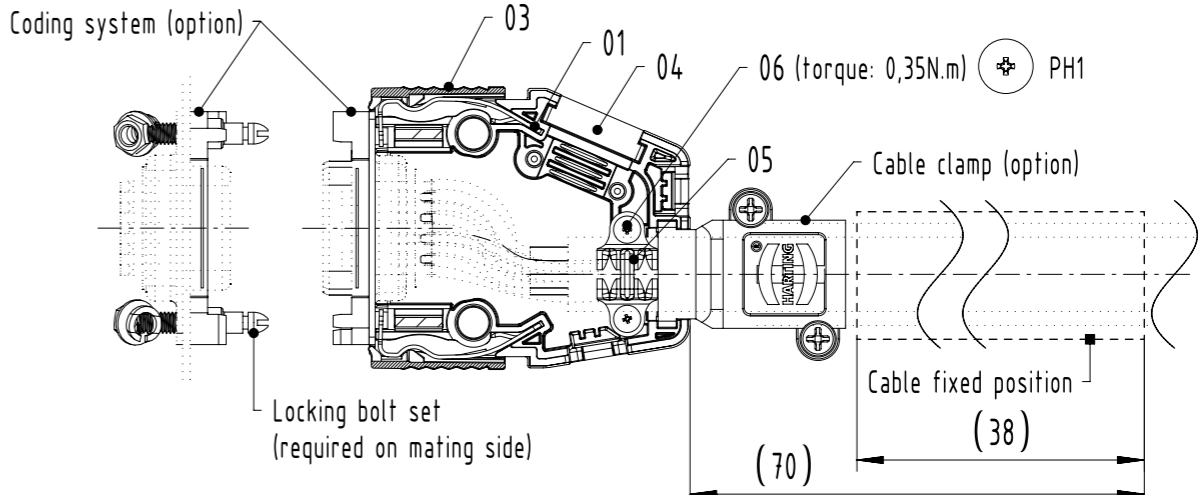
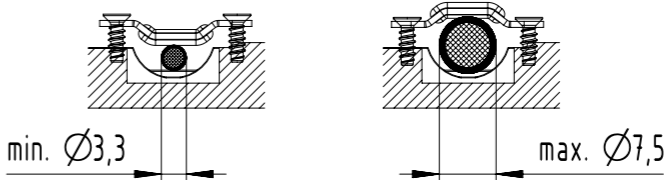
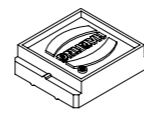


Recommended assembly:

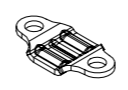
Inner cable clamp application



01 x1 piece 02 (enclosed) x1 piece 03 (enclosed) x1 piece



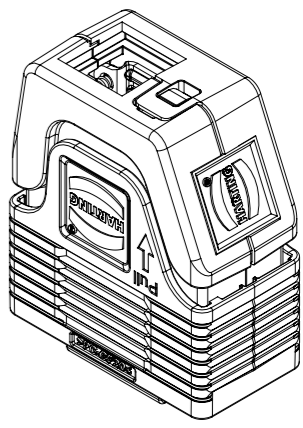
04 (enclosed) x1 piece



05 (enclosed) x1 piece



06 (enclosed) x2 pcs



06	--	ISO 7050-ST2,2x6,5-A2-20H-F-H	x2
05	--	D-Sub ca-clamp for 9P, 15P hood	x1
04	--	D-sub PC plastic blank piece for 9 to 37 pole hood	x1
03	--	D-Sub NAH 9P Moveable cover	x1
02	--	D-sub NAH 9P Hood coding_top case	x1
01	--	D-sub NAH 9P Hood with coding_bottom case+lock spring	x1
1	09 67 009 0200 160	D-Sub_CCH_S1_PP_PL_FC	1 set
ITEM NO.	PART NUMBER	PART NAME	QTY

All rights reserved Department EL PD		All Dimensions in mm Original Size DIN A3	Scale 1:1 Free size tol.	Ref. Sub.
Created by wene	Inspected by luok	Standardisation	Date 18-Mar-2025	State 40 - Released
Title D-Sub_CCH_S1_PP_PL_FC			Doc-Key / ECM-Nr. DS00244403	
HARTING D-32339 Espelkamp	Type TB	Design Number DS00244403	SAP Mat. Number 09670090200160	Rev. C
				Page 1/1