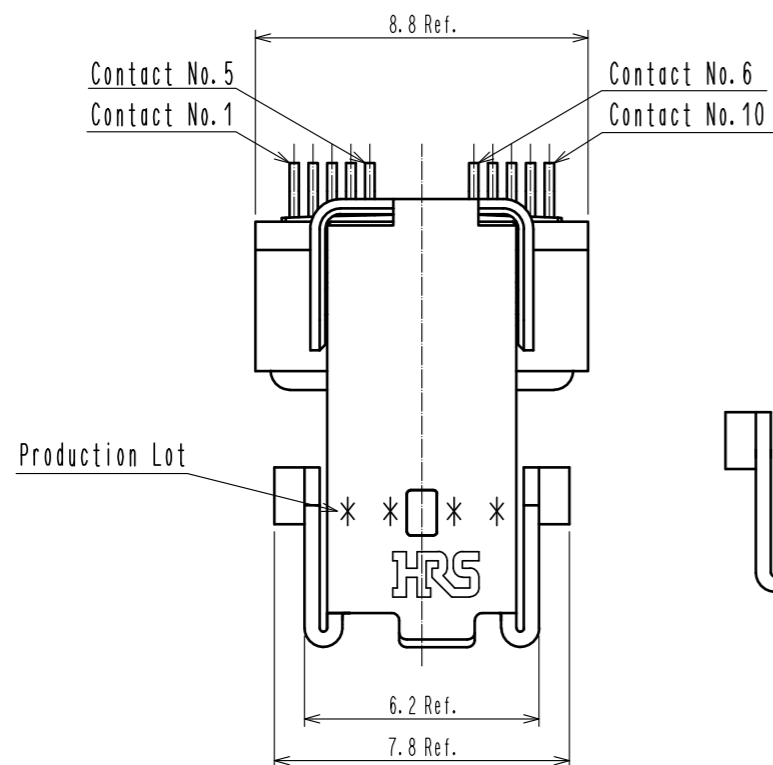
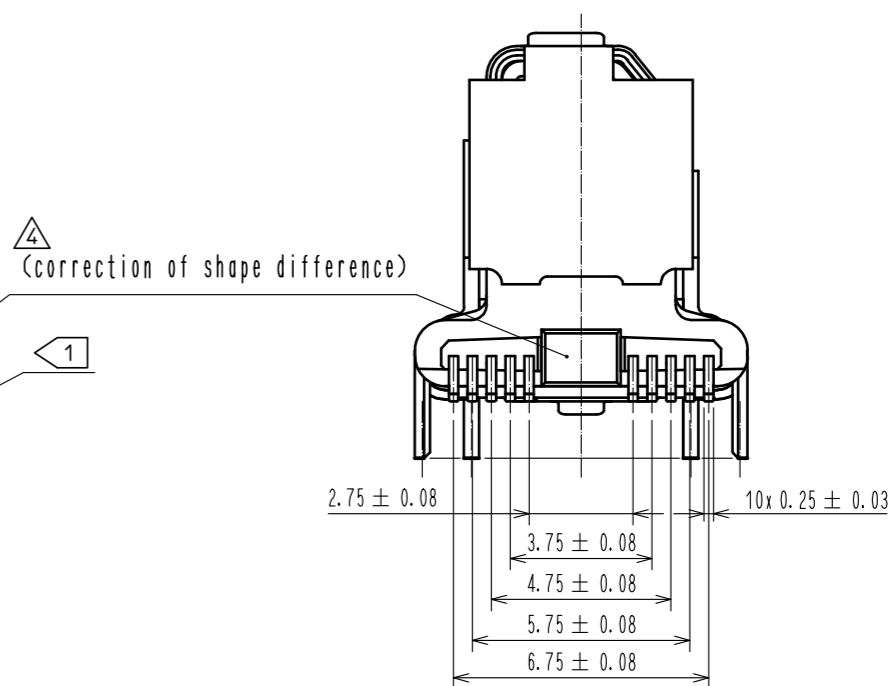
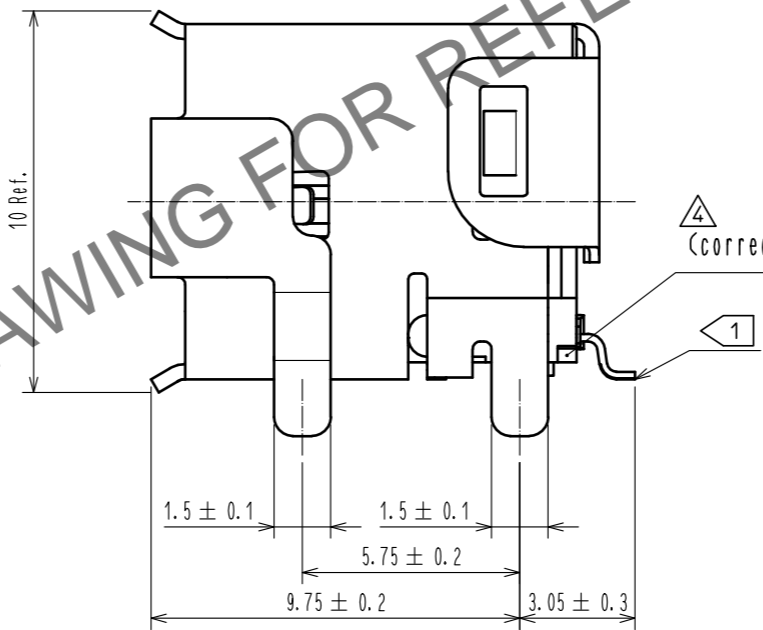
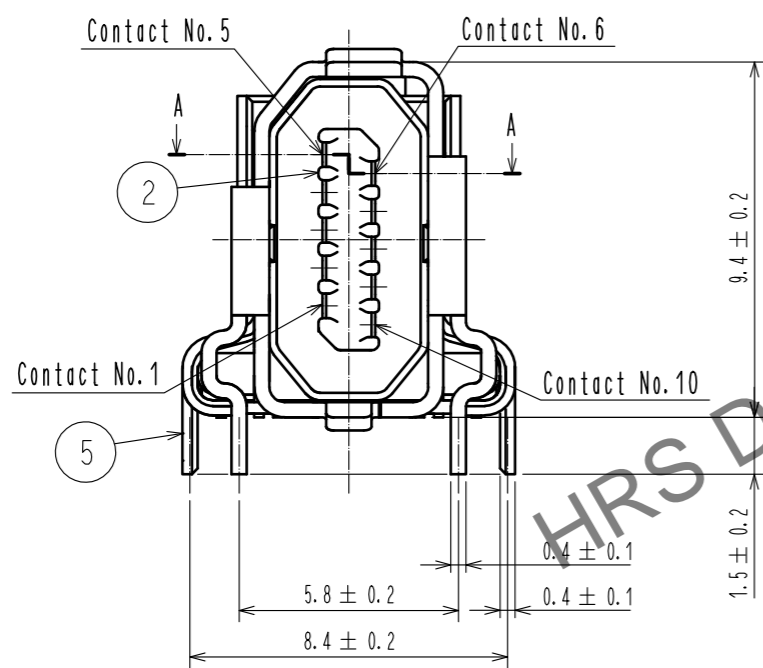
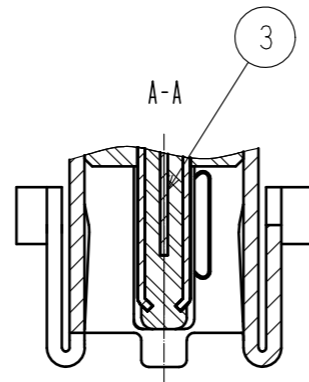


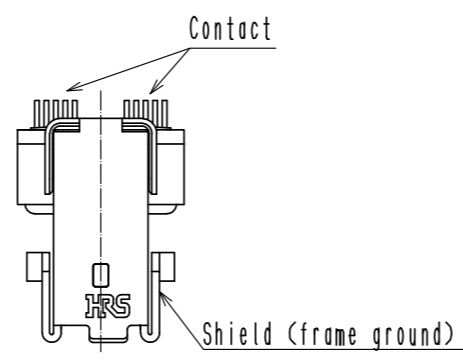
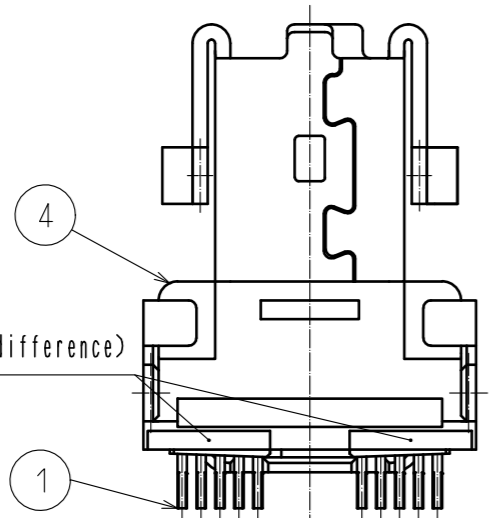
Sep.1.2025 Copyright 2025 HIROSE ELECTRIC CO., LTD. All Rights Reserved.
 In case of consideration for using Automotive equipment / device which demand high reliability, kindly contact our sales window correspondents.



- Notes. ① Co-planarity is within 0.1 mm.
2. For Part no.5, connector performances is independent from:
- surface with traces due to the production process.
 - allowed deviation in plating appearance between production lots.
- ③ Per reel : 400 pcs.
- ④ Refer to the mated condition diagram for the panel thickness and layout.
5. This product is mounted by reflow soldering.
 Refer to specification sheet ELC-388564-00-00 for reflow soldering.



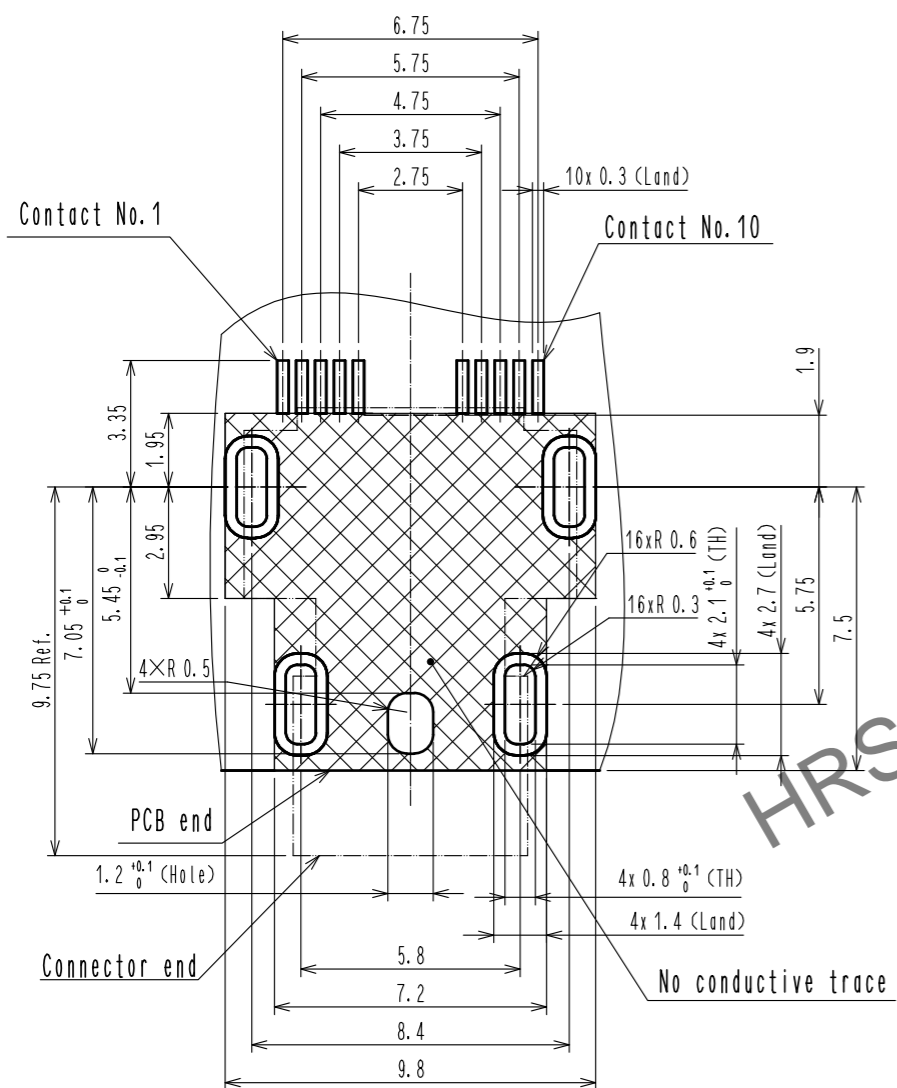
6. Isolate the contact from the shield (frame ground) when using the contact as OV or as signal ground.



3	Stainless Steel		7	PE			
2	LCP	Gray, UL94V-0	6	PS			
1	Copper Alloy	Contact area : Palladium-Nickel 0.75 μm min. +Gold 0.05 μm min. Wiring area : Gold 0.03 μm min. Under plating : Nickel 2 μm min.	5	Stainless Steel	Surface : Tin 1 μm min. Under plating : Nickel 0.2 μm min.		
			4	LCP	Gray, UL94V-0		
	MATERIAL	FINISH, REMARKS	NO.	MATERIAL	FINISH, REMARKS		
UNITS mm	①	SCALE 5 : 1	COUNT 2	DESCRIPTION OF REVISIONS DIS-E-00015867	DESIGNED TS. SAKAIZAWA	CHECKED KI. KAGOTANI	DATE 20240301
APPROVED : MN. KENJO		20201001	DRAWING NO. EDC-388564-01-00				
CHECKED : KI. NAGANUMA		20201001	PART NO. IX61G2-B-10P(C01)				
DESIGNED : JY. IGA		20201001	CODE NO. CL0251-0088-0-01				
DRAWN : JY. IGA		20201001			④ 1/3		

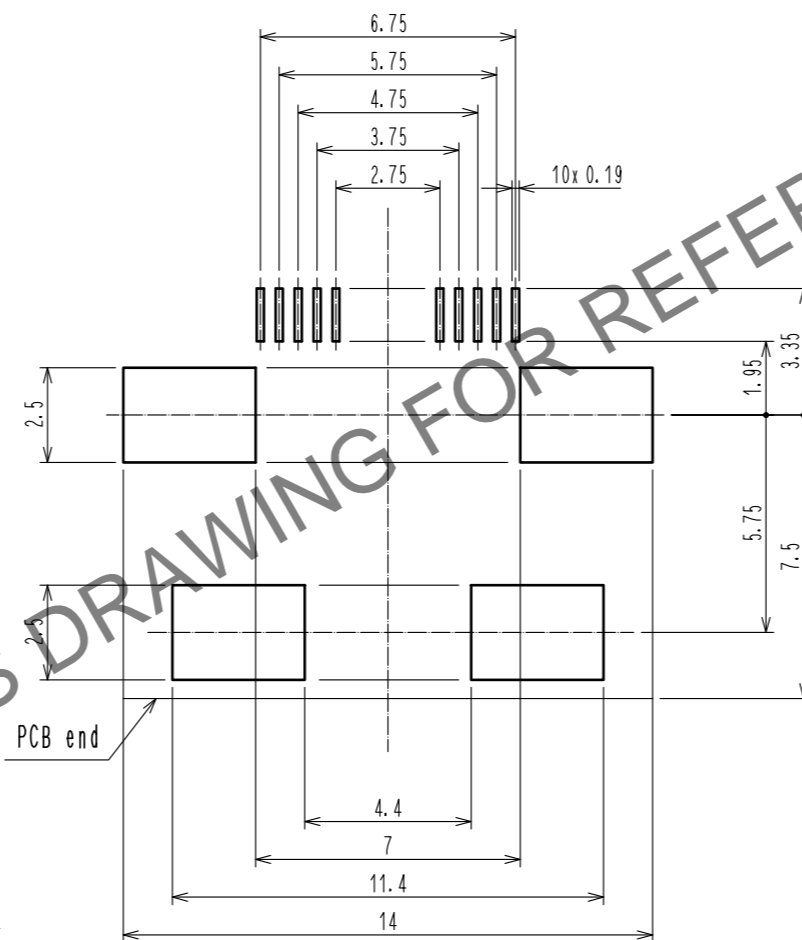
Sep.1.2025 Copyright 2025 HIROSE ELECTRIC CO., LTD. All Rights Reserved.
In case of consideration for using Automotive equipment / device which demand high reliability, kindly contact our sales window correspondents.

Reference PCB Layout (Connector Mounting Side) (t = 1.6)



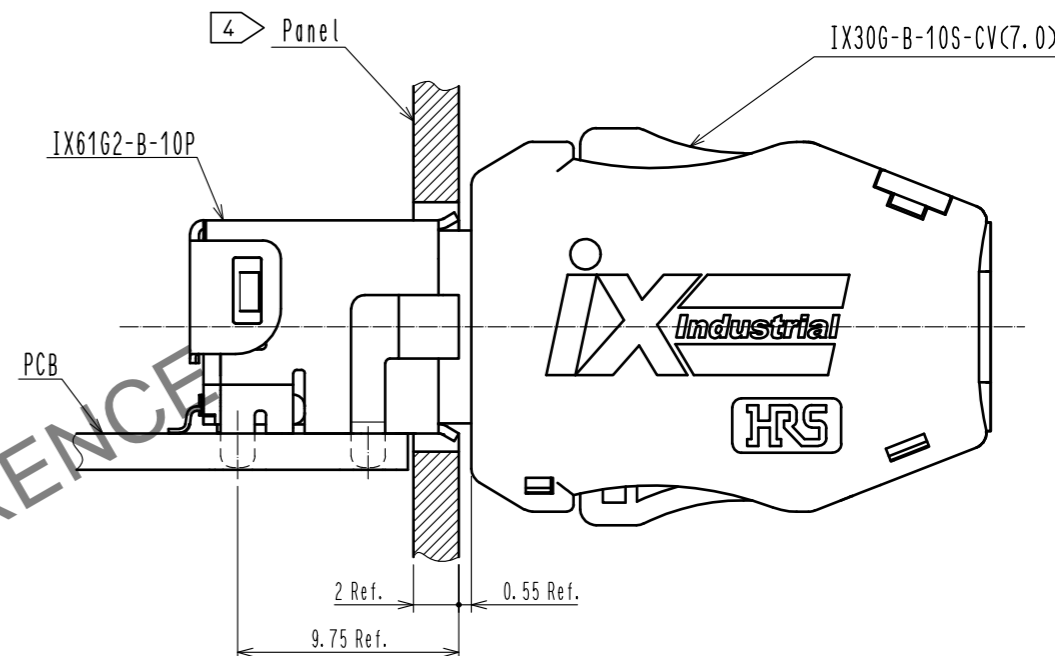
General tolerance is +/- 0.05

Reference Metal Mask Layout (t = 0.15)

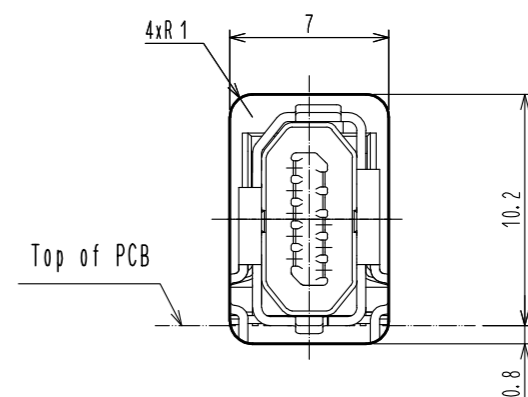


General tolerance is +/- 0.02

Mated Condition (Free)



Reference Dimensions of Panel Cutout (Free)



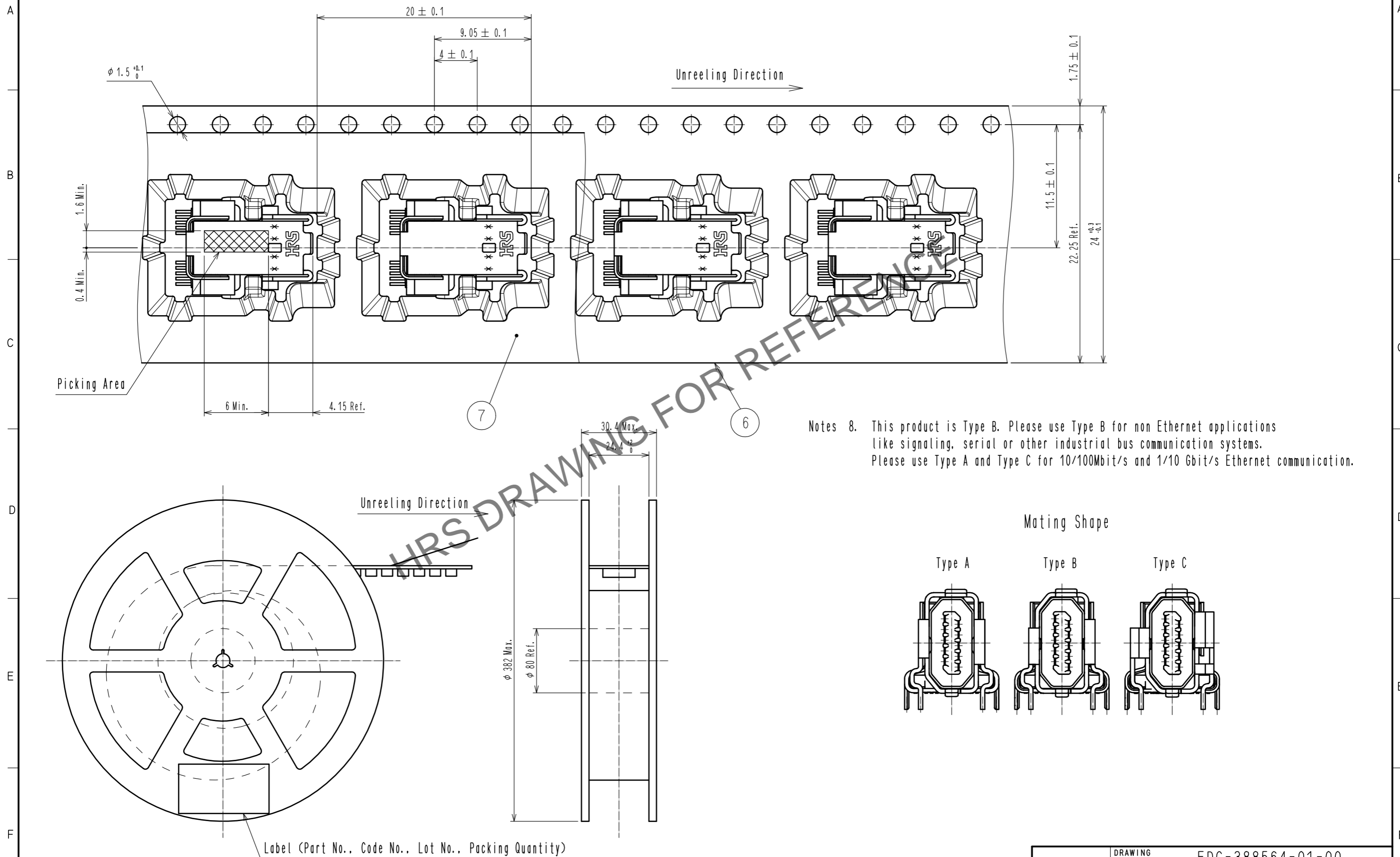
Dimension is reference

- 7 Thickness of metal mask is 0.1 mm min.
- Metal mask dimensions of the drawings described, are reference dimensions for 0.15 mm thickness metal mask.
- Change the metal mask dimensions by thickness of the metal mask, thickness of PCB, component of solder paste and mounting conditions.
- Change the metal mask dimensions in case of mounting IX61G2-*-10P in parallel.
- Change the metal mask dimensions, if there are other mounting parts or implementation pattern around the portion of mounting position of IX61G2-*-10P.
- Refer to the technical specification (ETAD-E3221-00) for different variations of the metal mask pattern width.

HRS	DRAWING NO.	EDC-388564-01-00
	PART NO.	IX61G2-B-10P(C01)
	CODE NO.	CL0251-0088-0-01
		4/2/3

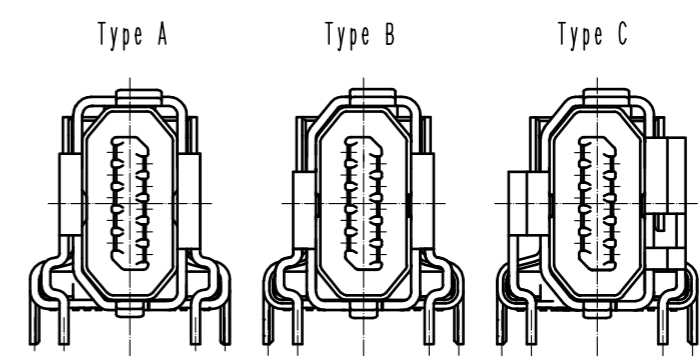
Sep.1.2025 Copyright 2025 HIROSE ELECTRIC CO., LTD. All Rights Reserved.
 In case of consideration for using Automotive equipment / device which demand high reliability, kindly contact our sales window correspondents.

③ Drawing for packing (Free)



Notes 8. This product is Type B. Please use Type B for non Ethernet applications like signaling, serial or other industrial bus communication systems. Please use Type A and Type C for 10/100Mbit/s and 1/10 Gbit/s Ethernet communication.

Mating Shape



HRS	DRAWING NO.	EDC-388564-01-00
	PART NO.	IX61G2-B-10P(C01)
	CODE NO.	CL0251-0088-0-01
		④ 3/3