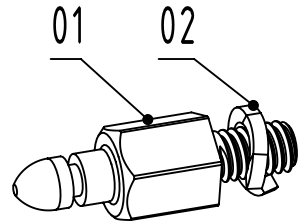


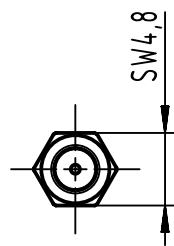
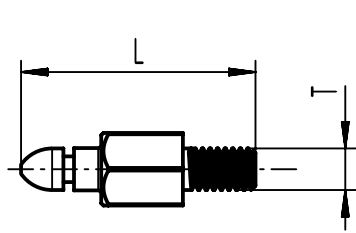
Components list:

ITEM NO.	PART NAME	QTY
01	Locking bolt	x1
02	Single coil spring lock washers	x1

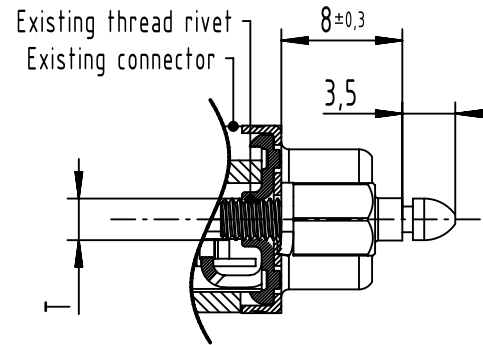
Set Article No.	Thread Type (T)	Length (L)	Panel Thickness (Pt)
09 67 002 9172	4-40 UNC	15,5mm	-
09 67 002 9173	M3		-
97 00 000 2048	4-40 UNC	16,6mm	0,8mm to 1,3mm
97 00 000 2049	M3		0,8mm to 1,3mm
97 00 000 5077	4-40 UNC	16,6mm	1,3mm to 1,8mm
97 00 000 5078	M3		1,3mm to 1,8mm
97 00 000 5079	4-40 UNC	16,6mm	1,8mm to 2,3mm
97 00 000 5080	M3		1,8mm to 2,3mm



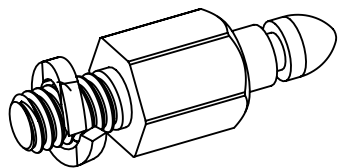
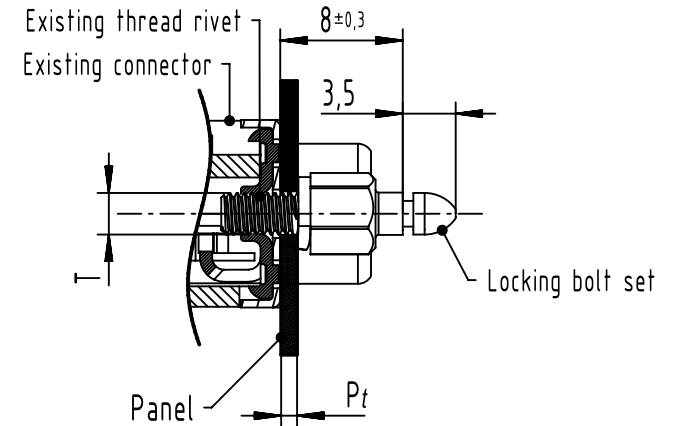
Locking bolt set for boardlock application



Without panel



Rear fit



	All rights reserved Department EL PD	All Dimensions in mm Original Size DIN A4		Scale 2:1	Free size tol.		Ref. Sub.		
		Created by wene	Inspected by luok	Standardisation	Date 08-Sep-2025	State 40 - Released		Doc-Key / ECM-Nr. DS00243230	
HARTING D-32339 Espelkamp		Title D-Sub_ACC_FSL_M3/4-40UNC_LB_SW			Type TB	Design Number DS00243230	SAP Mat. Number ---	Rev. B	Page 1/1