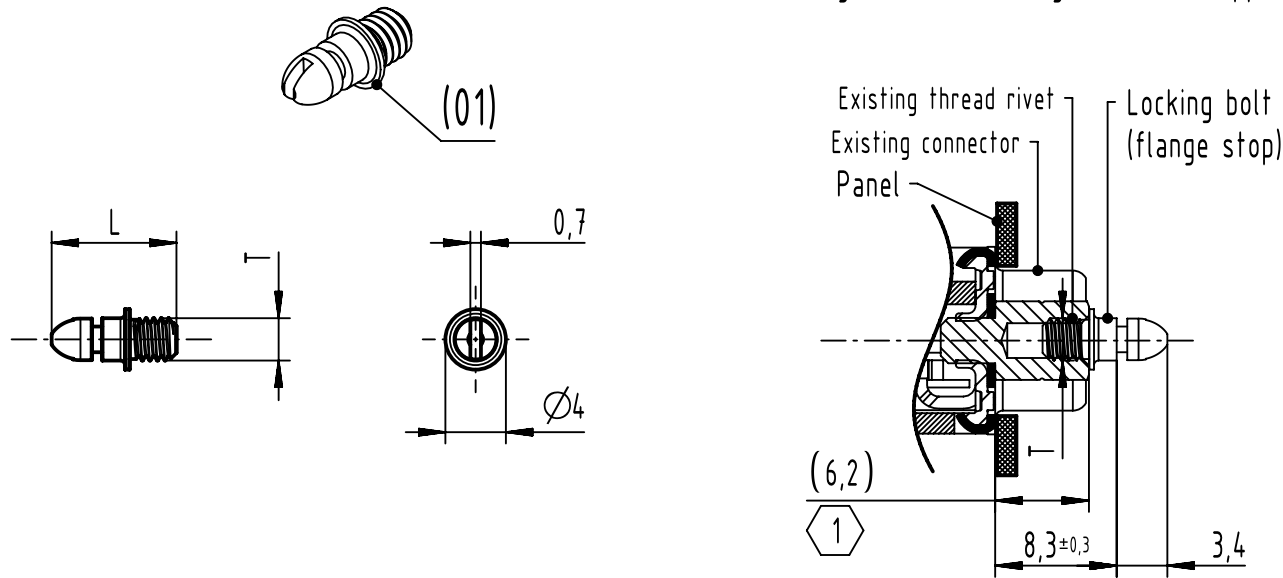


Component list:

ITEM NO.	PART NAME	QTY
01	Locking bolt	x1

Set Article No.	Length (L)	Thread Type (T)	Remark
97 00 000 2050	8,3mm	4-40 UNC	Flange stop
97 00 000 2051		M3	Flange stop

Locking bolt for existing screwlocks application



1 These locking bolts will not work when this dimension is not 6,2mm!

	All Dimensions in mm Original Size DIN A4	Scale	Free size tol.		Ref.	
		2:1			Sub.	
	All rights reserved Department EL PD	Created by	Inspected by	Standardisation	Date	State
		wene	luok		21-Oct-2025	40 - Released
HARTING D-32339 Espelkamp		Title			Doc-Key / ECM-Nr.	
		D-sub_ACC_LB_M3/4-40UNC			DS00243225	
		Type	Design Number	SAP Mat. Number	Rev.	Page
		TB	DS00243225	---	B	1/1