

Sep.1.2025 Copyright 2025 HIROSE ELECTRIC CO., LTD. All Rights Reserved.
In case of consideration for using Automotive equipment / device which demand high reliability, kindly contact our sales window correspondents.

COUNT	DESCRIPTION OF REVISIONS	BY	CHKD	DATE	COUNT	DESCRIPTION OF REVISIONS	BY	CHKD	DATE
2	DIS-H-002388	T.Y		7/16/08.27					

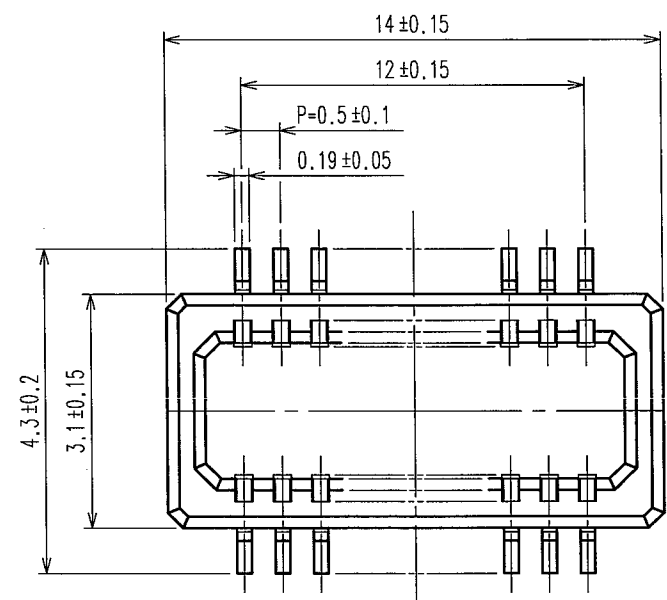


Fig.1 : RECOMMENDED PATTERN

Fig.2 : PLATING SPECIFICATION (40:1)

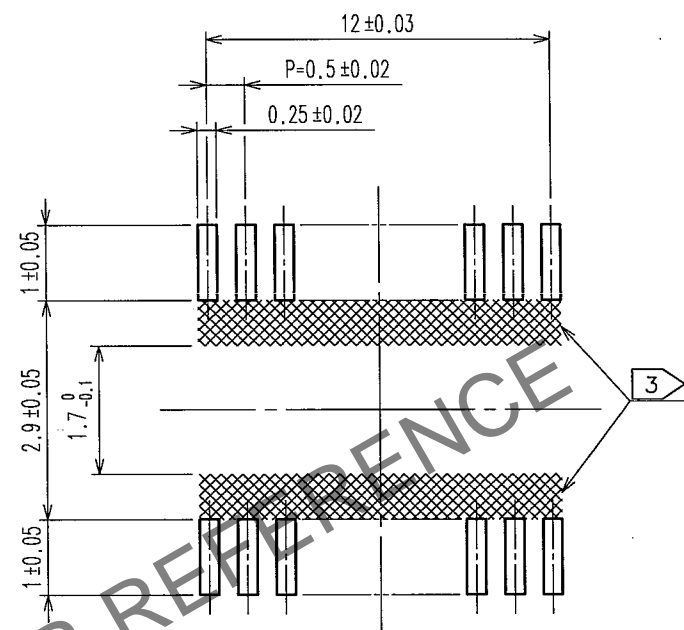


Fig.3 : A-A CROSS SECTION VIEW

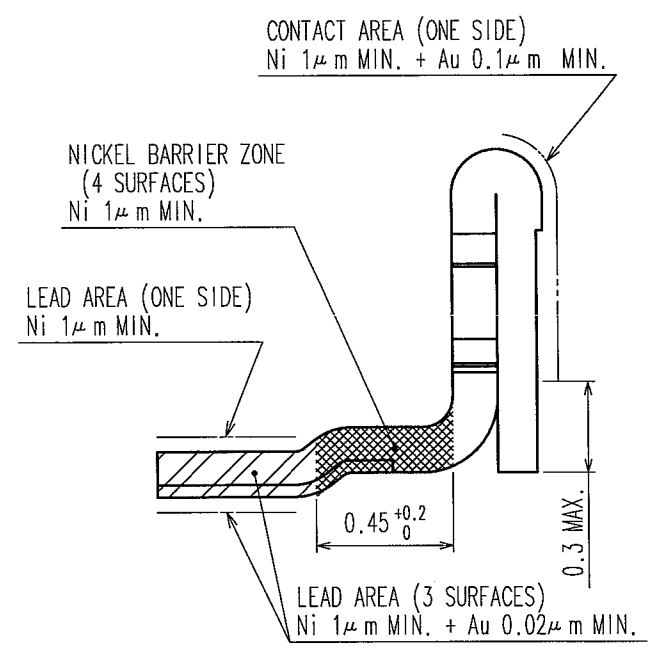
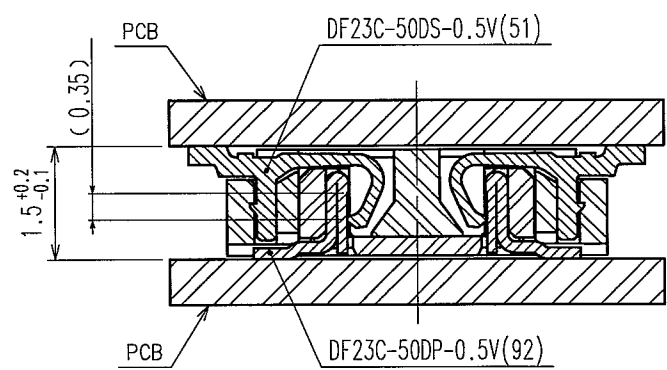
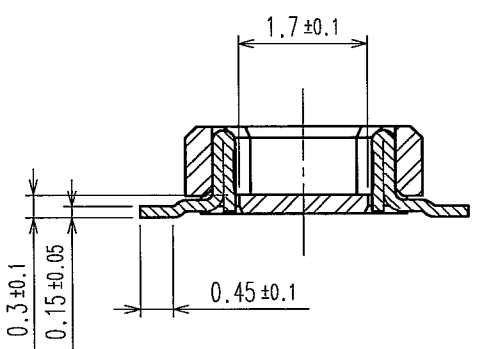
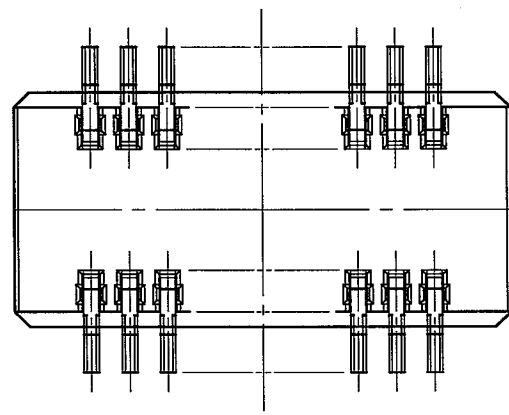
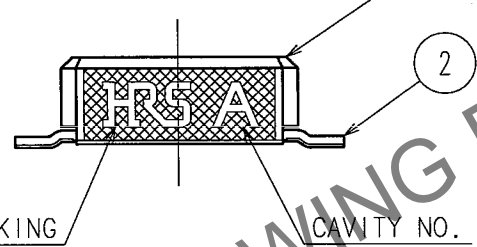
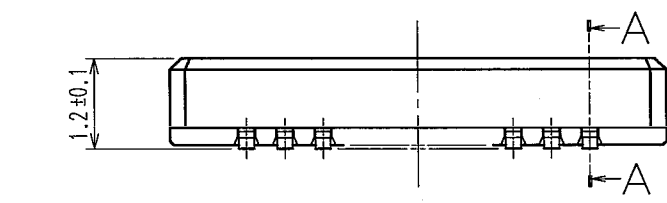


Fig.4 : MATING VIEW



- NOTES 1 LEAD CO-PLANARITY SHALL BE 0.1mm MAX.
 2 REFER TO Fig.2
 3 WHEN A PART MARKED WITH [Pattern] HAS A PATTERN BUT NO RESIST ON IT, TAKE CARE TO PREVENT THE CONNECTOR FROM TOUCHING IT.

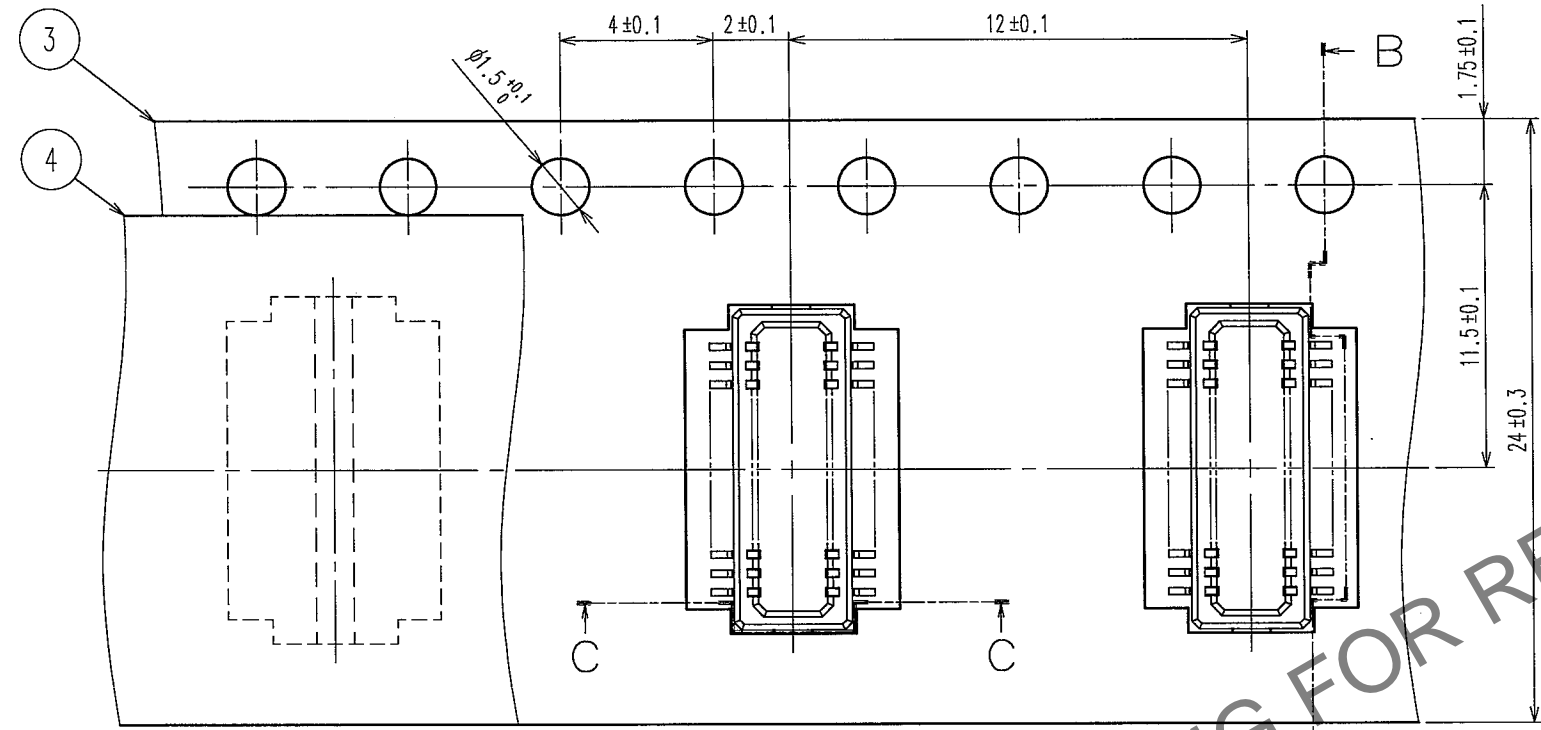
NO.	MATERIAL	FINISH, REMARKS	NO.	MATERIAL	FINISH, REMARKS
2	PHOSPHOR BRONZE	[Symbol]	5	PS	BLACK(PLASTIC REEL)
1	LCP	BLACK, UL94V-0	4	POLYESTER	CLEAR
			3	PS	CLEAR

CODE NO. (OLD)	DRAWN	DESIGNED	CHECKED	APPROVED	RELEASED
	F.Matsuki	T.Yamamoto	K.Akiyama	K.Akiyama	
	'03.10.07	'03.10.07	'03.10.07	'03.10.07	

SCALE	DRAWING NO.	PART NO.
10 : 1	EDC3-164006-03	DF23C-50DP-0.5V(92)
UNITS	HRS HIROSE ELECTRIC CO., LTD	CODE NO.
mm		CL688-0804-6-92

Sep.1.2025 Copyright 2025 HIROSE ELECTRIC CO., LTD. All Rights Reserved.
In case of consideration for using Automotive equipment / device which demand high reliability, kindly contact our sales window correspondents.

COUNT	DESCRIPTION OF REVISIONS	BY	CHKD	DATE	COUNT	DESCRIPTION OF REVISIONS	BY	CHKD	DATE



B-B

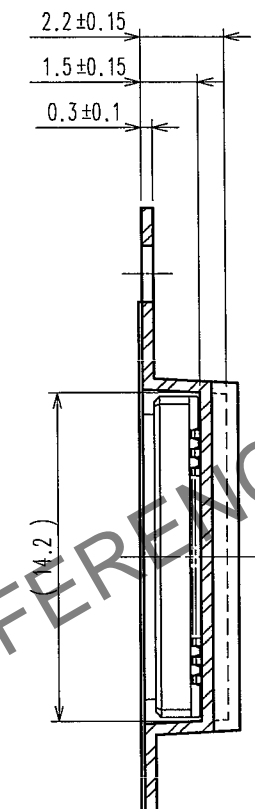
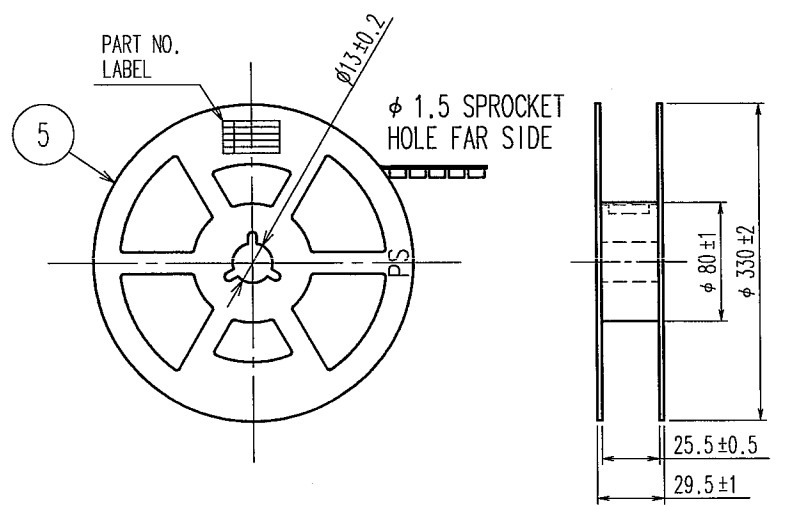


Fig.6 : REEL DIMENSIONS (FREE)

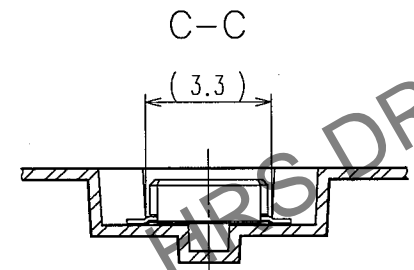


7) DETAIL OF PART NO. LABEL

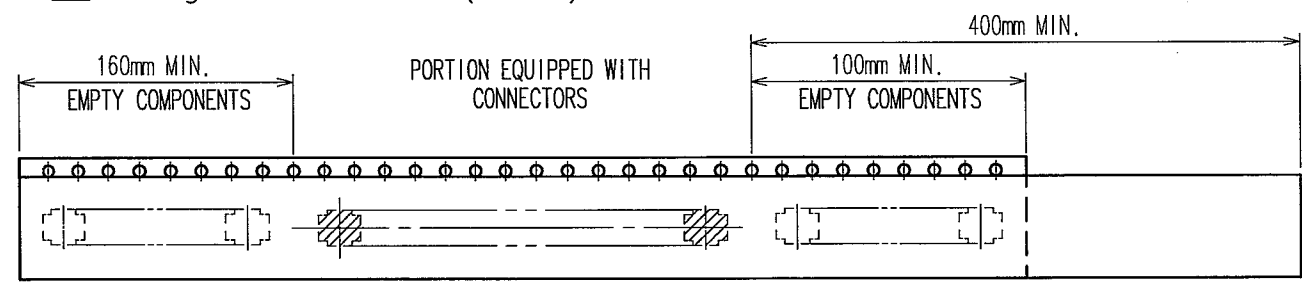
DATE OF MANUFACTURED	** * * *
CODE NO.	CL688-0804-6-92
PART NO.	DF23C-50DP-0.5V(92)
QUANTITY	2000
SUPPLIER	HIROSE ELECTRIC CO.,LTD.

Fig.7 : PACKAGING SPECIFICATION (FREE)

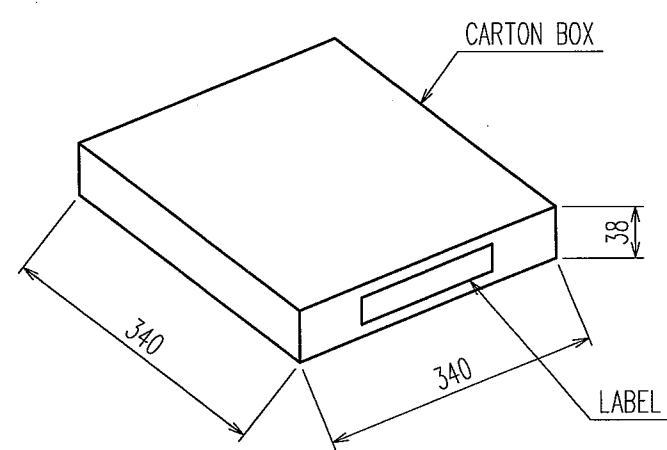
DIRECTION OF UNREELING →



6) Fig.5 : TAPING (FREE)



PACKAGING DIMENSION



DETAIL OF LABEL

CODE NO.	688-0804-6-92	NUMBER OF REELS PER BOX	1RL
品名 PART NO.	DF23C-50DP-0.5V(92)	数量 QTY	2000 個
PART NO.	NUMBER OF PRODUCTS PER REEL		

TRAILER

LEADER

- NOTES
- 4 PER REEL 2000 CONNECTORS
 - 5 THE DIMENSIONS IN PARENTHESES ARE FOR REFERENCE.
 - 6) REFER TO JIS C 0806 (PACKAGING OF COMPONENTS FOR AUTOMATIC HANDLING)
 - 7) DETAIL OF PART NO. LABEL IS WRITTEN IN JAPANESE.

CODE NO. (OLD)	DRAWN	DESIGNED	CHECKED	APPROVED	RELEASED
	F.Matsuki	T.Yamamoto	K.Akiyama	K.Akiyama	
	'03.10.07	'03.10.07	'03.10.07	'03.10.07	
SCALE	DRAWING NO.		PART NO.		
5 : 1	EDC3-164006-03		DF23C-50DP-0.5V(92)		
UNITS	HRS HIROSE ELECTRIC CO., LTD		CODE NO.		
mm			CL688-0804-6-92		