

Sep.1.2025 Copyright 2025 HIROSE ELECTRIC CO., LTD. All Rights Reserved.  
In case of consideration for using Automotive equipment / device which demand high reliability, kindly contact our sales window correspondents.

COUNT	DESCRIPTION OF REVISIONS	BY	CHKD	DATE	COUNT	DESCRIPTION OF REVISIONS	BY	CHKD	DATE
3	RE-H-06510	T.Y	T.S	04.09.30					

A 1 2 3 4 5 6 7 8

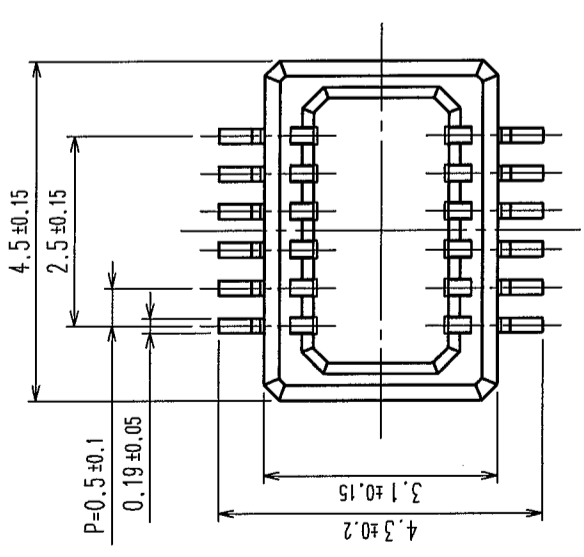
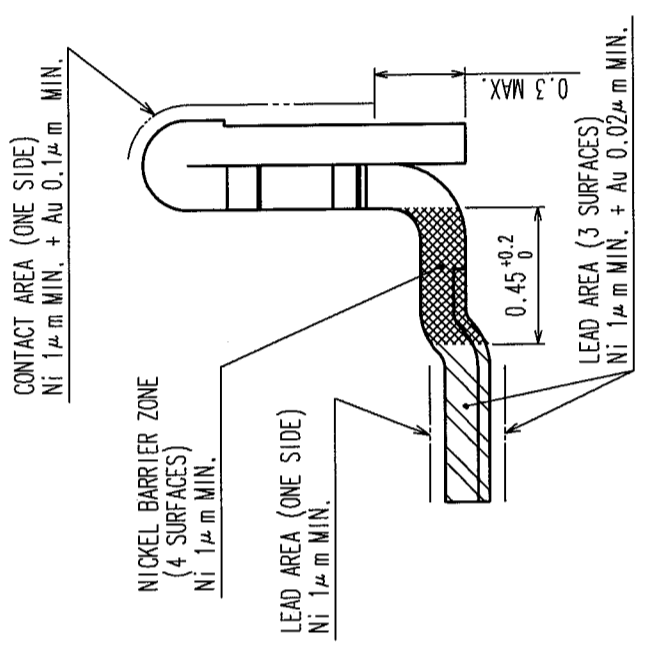


Fig. 1 : PLATING SPECIFICATION (40:1) Fig. 2 : RECOMMENDED PATTERN



OTHERS : Ni 1µm MIN. + Au FLASH

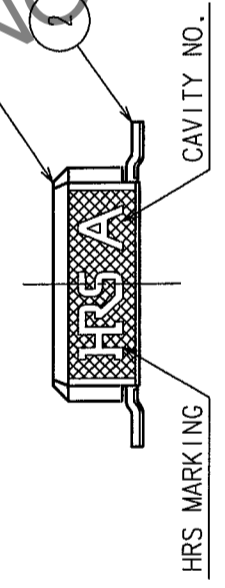


Fig. 3 : A-A CROSS SECTION VIEW

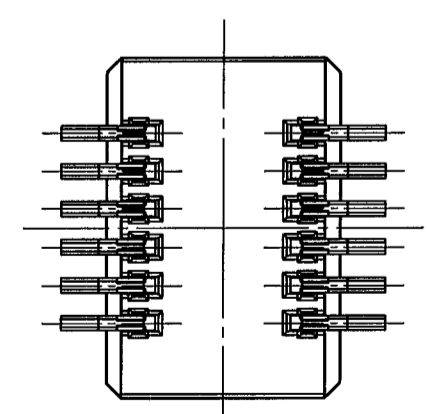
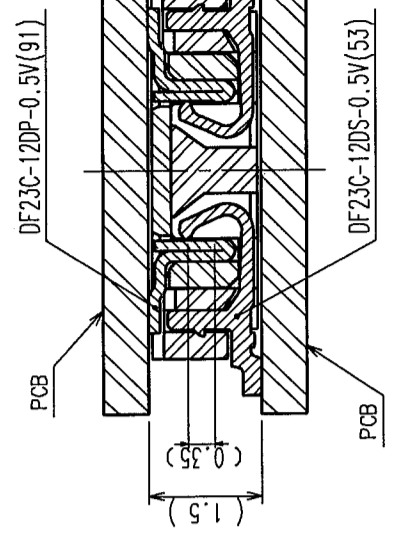


Fig. 4 : MATING VIEW



NOTES 1 LEAD CO-PLANARITY SHALL BE 0.1mm MAX.

2 REFER TO Fig. 1

3 WHEN A PART MARKED WITH HAS A PATTERN BUT NO RESIST ON IT, TAKE CARE TO PREVENT THE CONNECTOR FROM TOUCHING IT.

NO.	MATERIAL	FINISH, REMARKS	NO.	MATERIAL	FINISH, REMARKS
2	PHOSPHOR BRONZE	BLACK, J194V-0	4	POLYESTER	CLEAR
1	LCP		3	PS	CLEAR

CODE NO. (OLD)	DRAWN	DESIGNED	CHECKED	APPROVED	RELEASED
	F. Matsuki	T. Yamamoto	K. Akiyama	K. Akiyama	
	'03. 8.25	'03. 8.25	'03. 8.25	'03. 8.25	

DRAWING NO.	EDC3-302689-01	PART NO.	DF23C-12DP-0.5V(91)
SCALE	10 : 1	CODE NO.	CL688-0809-0-91
UNITS	mm		

A 1 2 3 4 5 6 7 8

TO

1	2	3	4	5	6	7	8
DATE	BY	CHKD	DATE	COUNT	DESCRIPTION OF REVISIONS	BY	CHKD

Fig.6 : REEL DIMENSIONS (FREE)

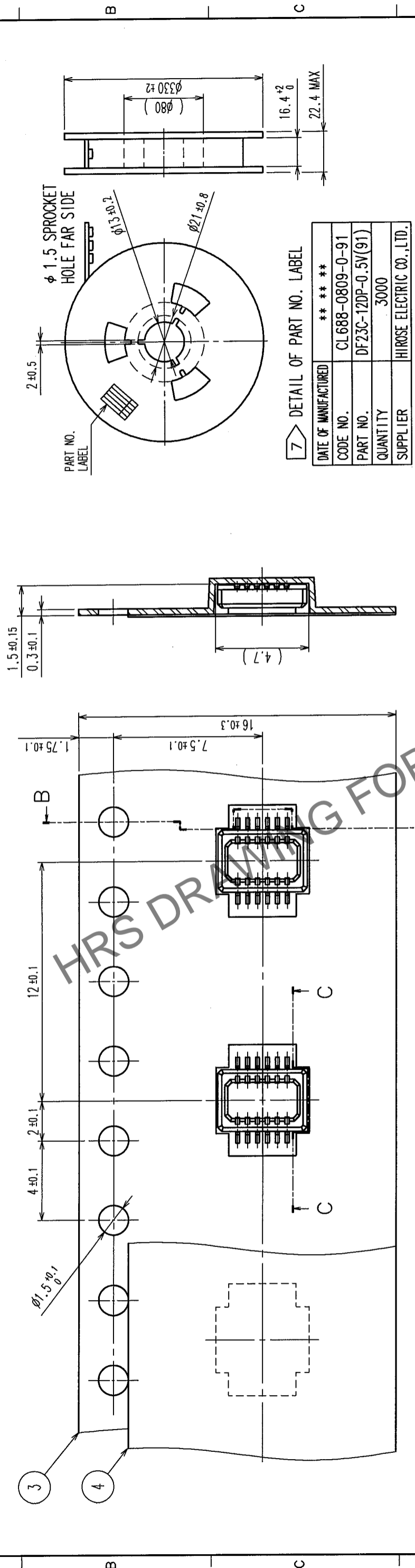


Fig.7 : PACKAGING SPECIFICATION (FREE)

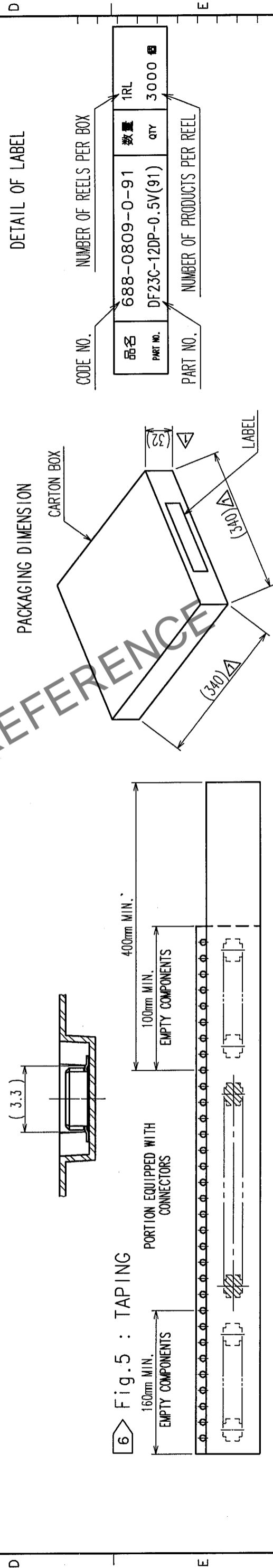
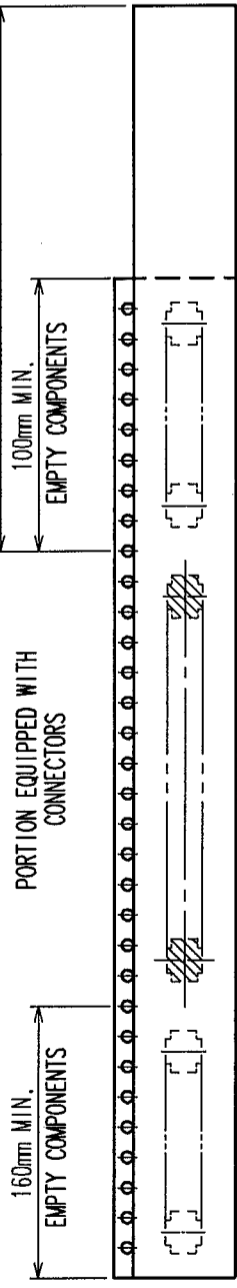


Fig.5 : TAPING



- NOTES
- 4 PER REEL 3000 CONNECTORS
  - 5 THE DIMENSIONS IN PARENTHESES ARE FOR REFERENCE
  - 6 REFER TO JIS C 0806 (PACKAGING OF COMPONENTS FOR AUTOMATIC HANDLING)
  - 7 DETAIL OF PART NO. LABEL IS WRITTEN IN JAPANESE.

CODE NO. (OLD)	DRAWN	DESIGNED	CHECKED	APPROVED	RELEASED
	F. Matsuki	T. Yamamoto	K. Akiyama	K. Akiyama	
	'03. 8.25	'03. 8.25	'03. 8.25	'03. 8.25	
DRAWING NO.	PART NO.				
EDC3-302689-01	DF23C-12DP-0.5V(91)				
SCALE	CODE NO.				
5 : 1	CL688-0809-0-91				
UNITS					
mm					

TO	