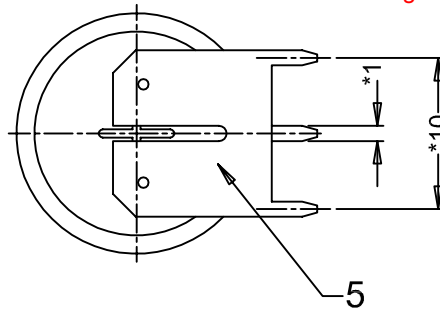
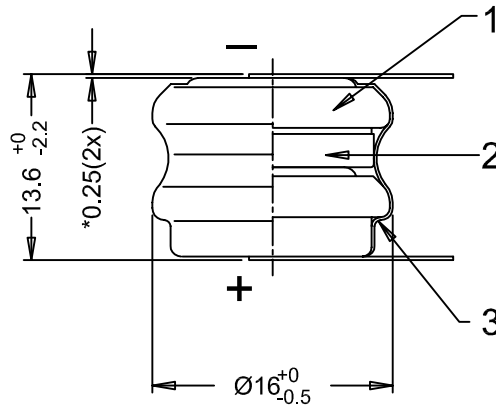
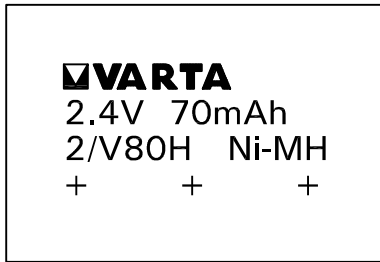


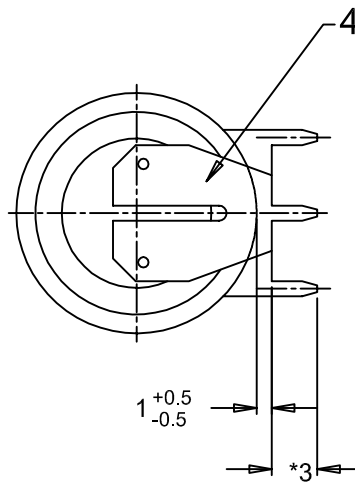
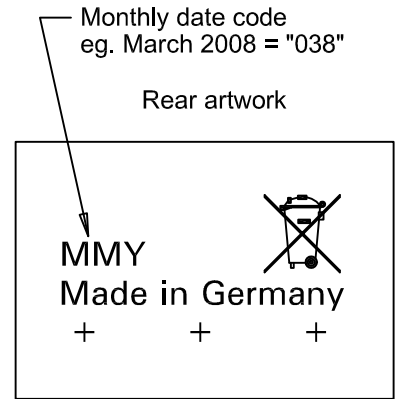
This is a controlled document.
 Hardcopy to be endorsed by authorised person.
 Check with Issuing Officer or SAP system for latest update.



Front artwork



Rear artwork



- Note: 1) No welding onto the groove
 2) For typical PCB-application we recommend to use VARTA-Mempac batteries
 3) * Dimensions for reference only

No	AO No	Revisions	Date	Name
2	12-R070	To update Varta Logo Hatch	2012-04-26	TitisWS
1	R119/08	To add in printed sleeve the crossed-out wheeled bin symbol	2008-04-02	Ratna

Projection:	Material: Refer to part list no: 071342		Description: 2/V80H battery with shrink sleeve & solder tags		
	Dimensions in mm Tolerance: As specified Scale: 2 : 1	Prepared & Checked 1998-03-21 Titis WS	Verified & Approved	Dwg. No: 071342	4 0 2

Rights reserved to make technical changes, as a result of further development, without notice. This drawing is the property of VARTA Microbattery and must not be copied or disclosed to a third party without the written consent of VARTA Microbattery.

