

Isolierkörpermaterial

Nylon, UL94V-0

Kontaktmaterial

Phosphorbronze

Kontaktoberfläche

Ni, Au / Sn

Kontaktwiderstand

40mΩ max

Isolationswiderstand

1000MΩ min

Strombelastbarkeit

1.5A

Betriebstemperatur

-40°C - +85°C

Betriebsspannung

125V AC

Prüfspannung

1000V AC

Verpackung

Blisterverpackung

Insulator material

Nylon, UL94V-0

Contact material

Phosphor bronze

Plating

Ni, Au / Sn

Contact resistance

40mΩ max

Insulation resistance

1000MΩ min

Current rating

1.5A

Operating temperature

-40°C - +85°C

Operating voltage

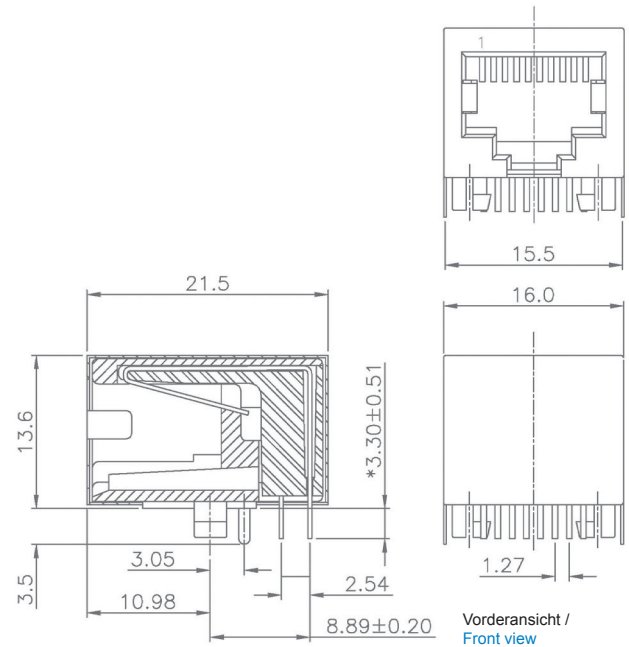
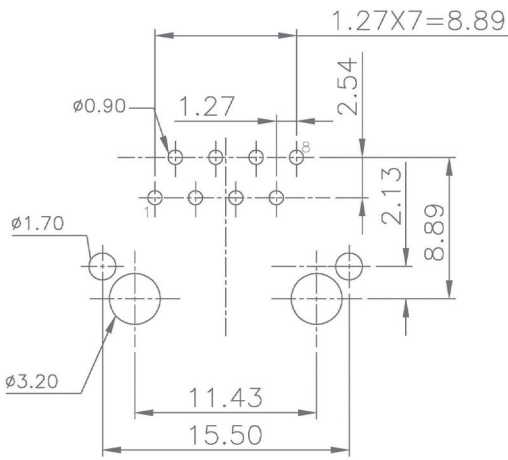
125V DC

Test voltage

1000V AC

Packing

Tray packing



Bestellcode / Ordercode

Polzahl

2 - 8 polig (RJ45)

No. of contacts

2 - 8 contacts (RJ45)

A - 2004 2 - LP / FS

- D-Sub / Centronics
- Multiflex - DIN 41651
- Modular
- USB IEEE 1394
- Switches
- Powerinlets Poweroutlets
- DIN 41612 Hard Metric
- MiniDIN
- Pin header Female header Sockets / Jumper
- Terminal Blocks
- Memory Card connectors
- FFC / FPC
- Micro - Miniature