

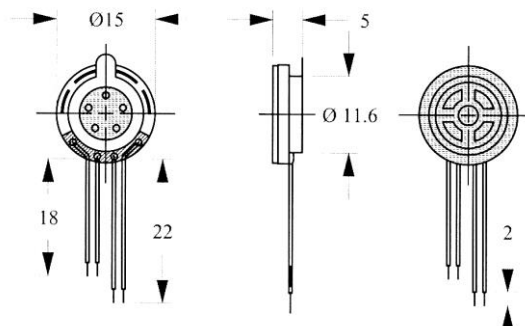
Lautsprecher LSF-15M/S-R Art.-Nr.: 107038

Specifications :

TYPE	UNIT	Speaker	Receiver
Impedance	Ω	$8 \pm 15\%$	$32 \pm 15\%$
Power (Nominal)	W	0.5	10mW
Power (Maximum)	W	0.75	20mW
Resonant Frequency	Hz	$650 \pm 20\%$	$300 \pm 20\%$
S.P.L. / Sensitivity	dB	90 ± 3	102 ± 3 at 100mV
Frequency Range	Hz	fo~10k	fo~3.4k
Operating Temperature	$^{\circ}\text{C}$	-20~+60	
Storage Temperature	$^{\circ}\text{C}$	-30~+70	
Weight	g	1.5	

Dimensions :

(Unit: mm)



Frequency Response :

