

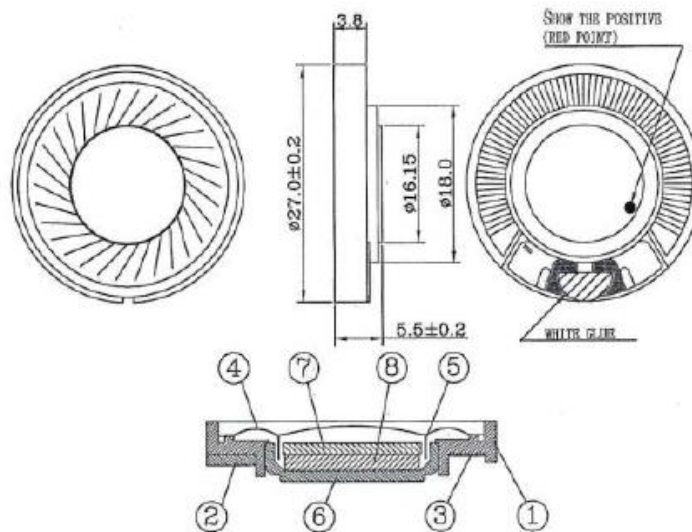
**Lautsprecher LSF-27M/SC** Art.-Nr.: 107090

**Specification :**

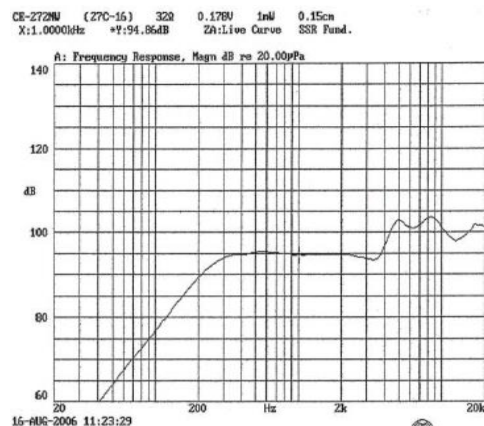
| TYPE                  | UNIT     | LSF-27M/SC |
|-----------------------|----------|------------|
| Impedance             | $\Omega$ | 32±15%     |
| Power (Nominal)       | mW       | 30         |
| Power (Maximum)       | W        | 0.1        |
| Resonant Frequency    | Hz       | 280±20%    |
| Sound Pressure Level  | dB       | 94±3       |
| Frequency Range       | Hz       | 160~20.000 |
| Operating Temperature | °C       | -25~+50    |
| Storage Temperature   | °C       | -25~+60    |

**Dimensions :**

(Unit : mm)



**Frequency Response :**



Version 1 / 10/2021