

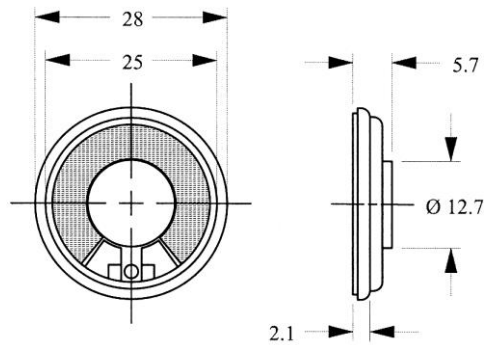
Lautsprecher LSF-28M/NT Art.-Nr.: 107130

Specification :

TYPE	UNIT	LSF-28M/NT
Impedance	Ω	$8 \pm 15\%$
Power (Nominal)	W	0.8
Power (Maximum)	W	1.5
Resonant Frequency	Hz	$400 \pm 20\%$
Sound Pressure Level	dB	85 ± 3
Frequency Range	Hz	220~20.000
Operating Temperature	$^{\circ}\text{C}$	-25~+50
Storage Temperature	$^{\circ}\text{C}$	-25~+60

Dimensions :

(Unit : mm)



Frequency Response :

