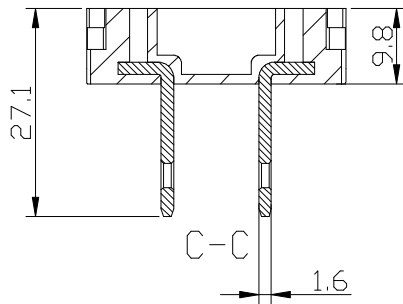
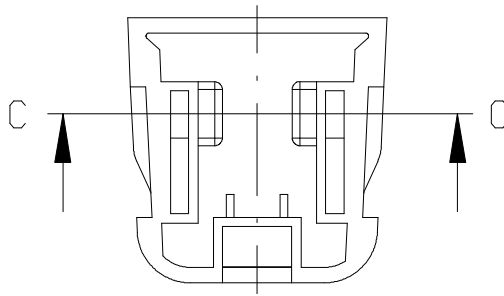
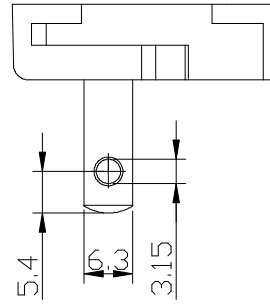
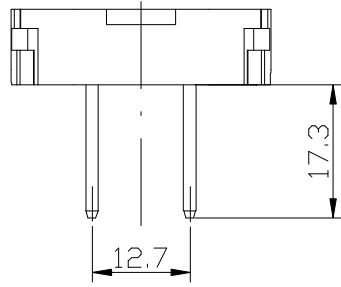
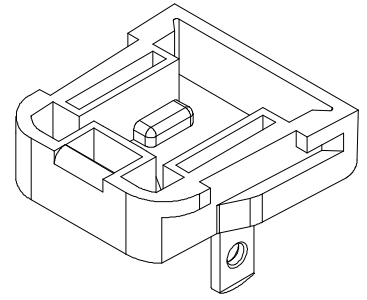
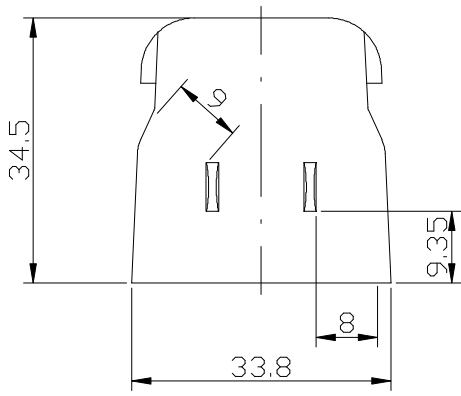


The supplier acknowledges that, with the acceptance of the drawing, he is in a position to manufacture the illustrated part in accordance with the drawing in reproducible form and series production. Through the selected manufacturing processes no impairments will arise in the material and structure which could subsequently lead to an impairment of the component. Verbal agreements over and above that are not valid. Deviations from this rule must be written and must be signed by the purchaser.

This drawing may not be copied, reproduced or made available to third parties in any way whatsoever without or prior written approval.



| | | | | | |
|--|-----------------|---|------------------------|--|------------------|
| Verwendungsbereich/Application range für Anfrage/for inquiry xxx/xx | | Zul. Abweichung/ Allowable deviation | Oberfläche/ Surface | Maßstab/Scale (DIN A4): 1:1 | Gewicht/Weight |
| | | general tolerances DIN ISO 2768-m | | Werkstoff/Work material, Modell-Nr. | |
| | | 2013 | Datum/Date | Name | |
| | | Erstellt/ Drawn by | 30.04. | MSt | |
| | | | | Zeichnungsname/Drawing name | |
| | | | | Primary-Plug-HT-US black XXXXXXXXXX | |
| | | | | Zeichnungsnummer/Drawing number Artikelnummer/Part number | Blatt/ Sheet |
| | | | | 10951407 | 1 |
| VO | --- | XX.XX.XX | XX | Ersatz für/Replaced by | |
| Version | Änderung/Change | Datum/Date | Name | Ursprung/Origin | Proj. 0064-12-DE |
| | | | | Ersatz durch/Replacement through | |

