

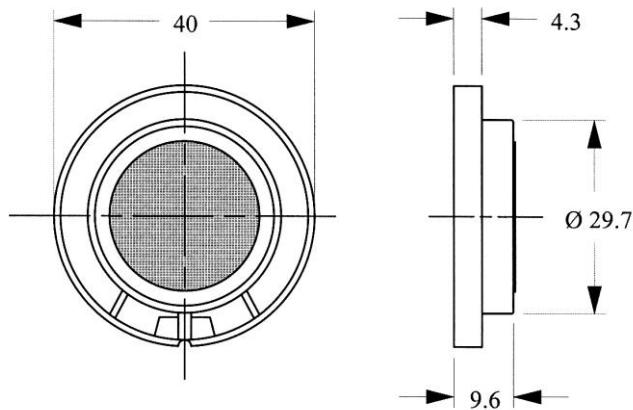
Lautsprecher LSF-40M/F Art.-Nr.: 110042

Specification :

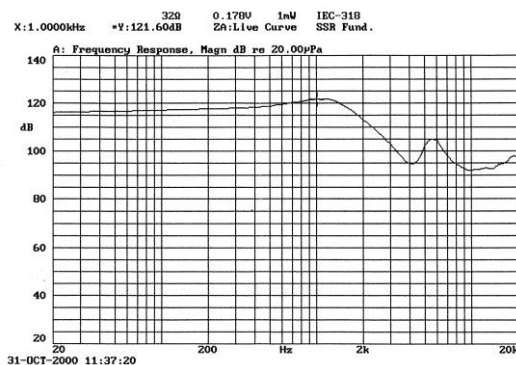
TYPE	UNIT	LSF-40M/F
Impedance	Ω	32±15%
Power (Nominal)	mW	40
Power (Maximum)	mW	100
Resonant Frequency	Hz	150±20%
Sound Pressure Level	dB	110±3
Frequency Range	Hz	80~20.000
Operating Temperature	°C	-25~+50
Storage Temperature	°C	-25~+60

Dimensions :

(Unit : mm)



Frequency Response :



Version 1 / 10/2021