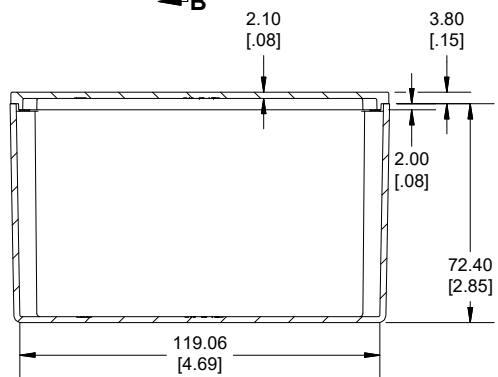
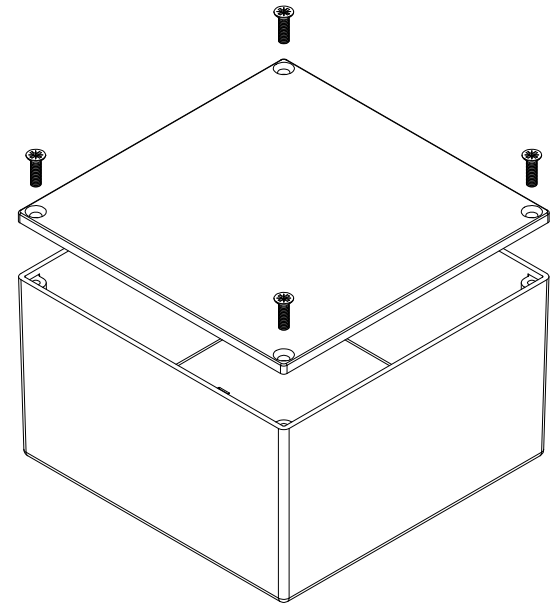
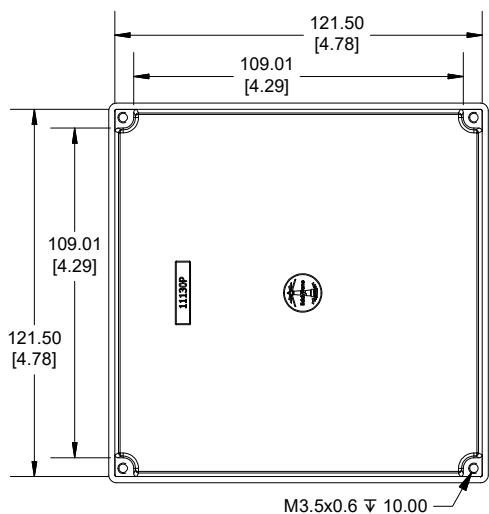


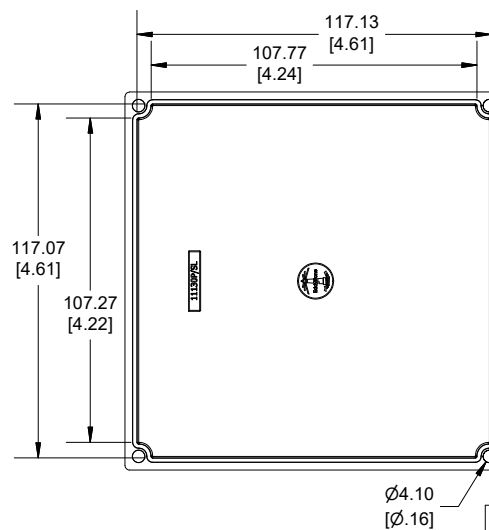
SECTION B-B



SECTION A-A



INSIDE BOX VIEW



INSIDE LID VIEW

Enclosures can be Factory Modified (Milling, Drilling, Printing etc.)
Contact Factory (modshop@hammfg.com) for quotes
Solid models of this enclosure available in .stp or .x_t
(Part number and text placement/orientation on our products are subject to change,
we do not recommend using them as a locating reference for modification purposes)

NOTE

Purchased assembly includes Lid, Box and 4 cover screws.
Box and lid are made from Diecast Aluminum Alloy.

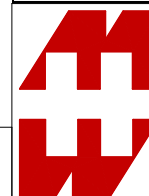
Recommended Torque: 50-55 cN.m [71-78 ozf.in]

PART NUMBERS

Eddystone 10758

Natural Finish Enclosure

10758PSLA



**HAMMOND
MANUFACTURING®**

11130PSLA

www.hammondmfg.com

Dimensions:
mm
[inches]