

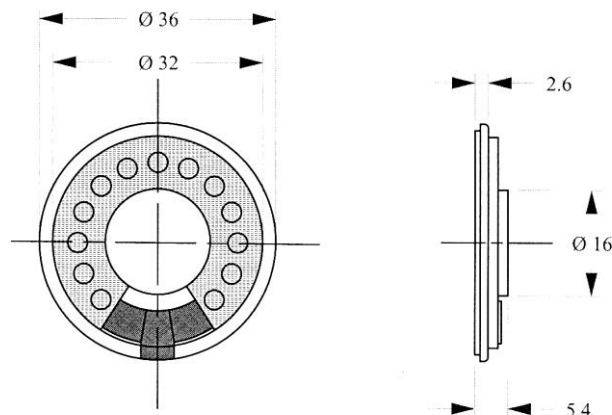
Lautsprecher LSM-36M/B Art.-Nr.: 115070

Specification :

TYPE	UNIT	LSM-36M/B
Impedance	Ω	8±15%
Power (Nominal)	W	1.0
Power (Maximum)	W	1.5
Resonant Frequency	Hz	400±80
Sound Pressure Level	dB	85±3 (1W/0.5m)
Frequency Range	Hz	fo~20.000
Operating Temperature	°C	-20~+60
Storage Temperature	°C	-30~+70

Dimensions :

(Unit : mm)



Frequency Response :

