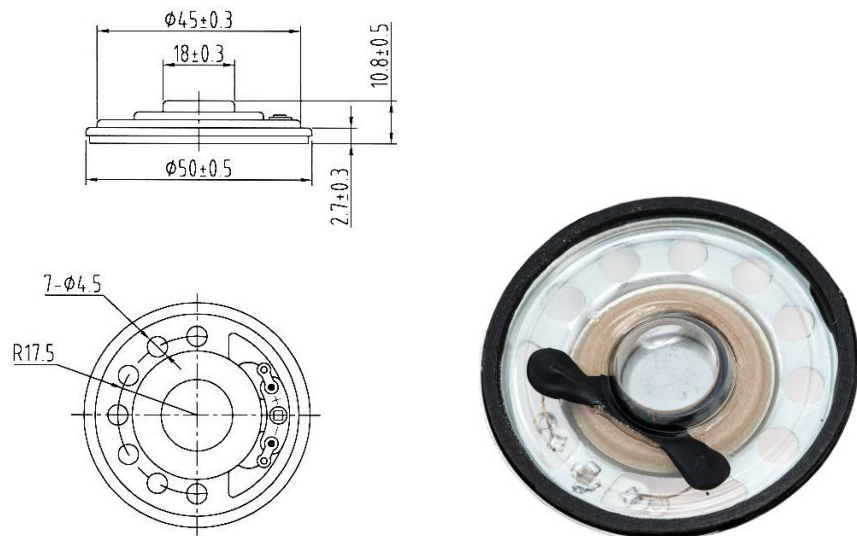


Lautsprecher LSM-50M/N Art.-Nr.: 115130

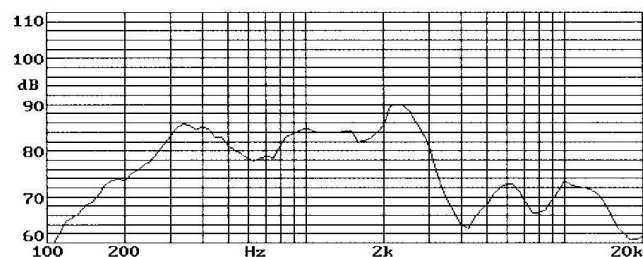
Specification :

TYPE	UNIT	LSM-50M/N
Impedance	Ω	$8 \pm 15\%$
Power (Nominal)	W	0.5
Power (Maximum)	W	0.7
Resonant Frequency	Hz	$500 \pm 20\%$
Sound Pressure Level	dB	90 ± 3
Frequency Range	Hz	Fo~4.500
Operating Temperature	$^{\circ}\text{C}$	-20~+60
Storage Temperature	$^{\circ}\text{C}$	-30~+70

Dimensions :
(Unit : mm)



Frequency Response :



Version 1 / 10/2021