

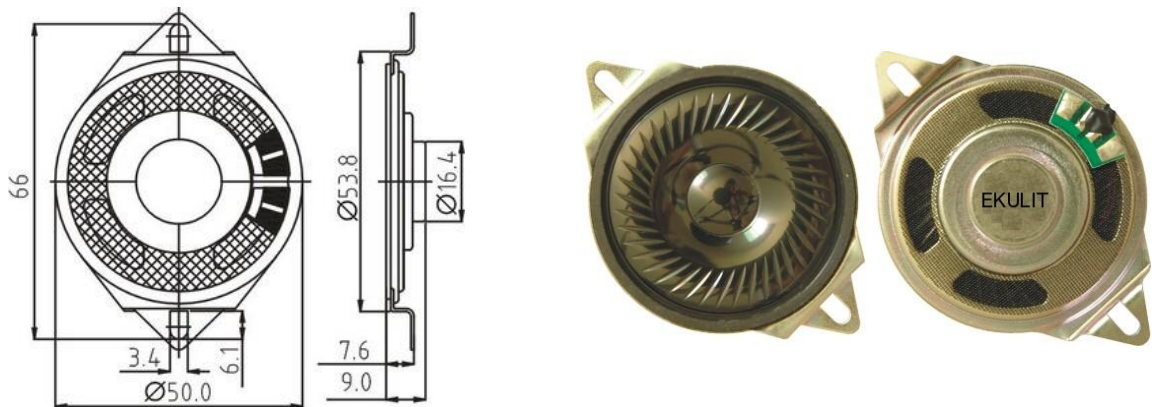
Lautsprecher LSM-50M/NO-B Art.-Nr.: 115135

Specification :

TYPE	UNIT	LSM-50M/NO-B
Impedance	Ω	8 \pm 15%
Power (Nominal)	W	0.5
Power (Maximum)	W	1.0
Resonant Frequency	Hz	320 \pm 20%
Sound Pressure Level	dB	87 \pm 3
Frequency Range	Hz	Fo~20.000
Operating Temperature	$^{\circ}$ C	-20~+60
Storage Temperature	$^{\circ}$ C	-30~+70

Dimensions :

(Unit : mm)



Frequency Response :

