

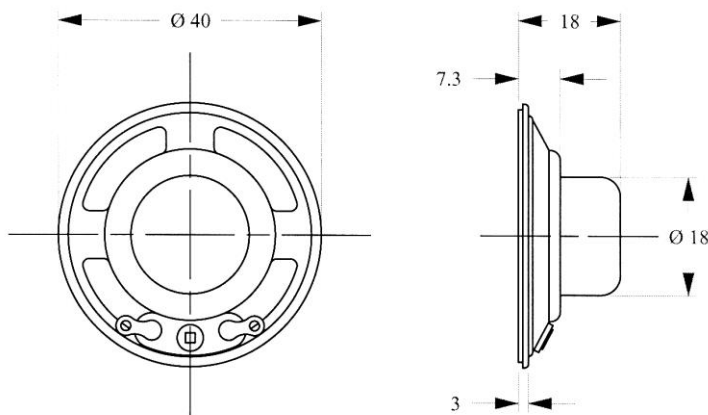
Lautsprecher LSM-40A Art.-Nr.: 120010

Specification :

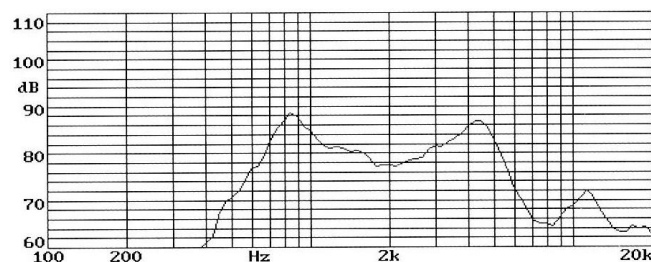
TYPE	UNIT	LSM-40A
Impedance	Ω	8 \pm 15%
Power (Nominal)	W	0.1
Power (Maximum)	W	0.2
Resonant Frequency	Hz	700 \pm 20%
Sound Pressure Level	dB	88 \pm 3
Frequency Range	Hz	Fo~5.000
Operating Temperature	$^{\circ}$ C	-20~+60
Storage Temperature	$^{\circ}$ C	-30~+70

Dimensions :

(Unit : mm)



Frequency Response :



Version 1 / 10/2021