

Lautsprecher LSM-S2515K Art.-Nr.: 130005

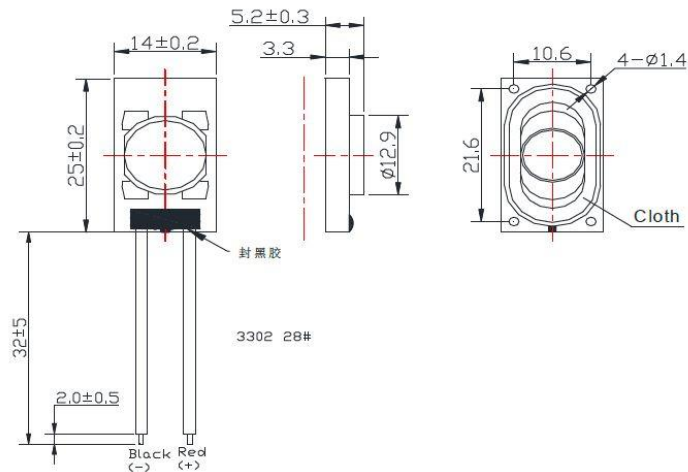
SPECIFICATIONS

Parameter	Conditions/Description	Values	Units
Rated Input Power		0.5	W
Max Input Power	IEC-60268-5, filter 60s on/120s off, 10 cycles at room temp	0.8	W
Impedance	at 2.0 kHz	8±15%	Ω
Sound Pressure Level (S.P.L.)	at 0.8K 1.0K 1.2K 1.5KHz in0.1W/0.1M average (0dB SPL=20μPa)	90±3	dB
	at 0.8K 1.0K 1.2K 1.5KHz in1.0W/1.0M average (0dB SPL=20μPa)	75±3	dB
Resonant Frequency (Fo)	at 1.0 V	1110±20%	Hz
Frequency Range	Output S.P.L. -10dB	Fo~20K	Hz
Distortion	at 1K Hz, input 1.0W,	< 5%	-
Magnet	NdFeB	Φ7.8*1.5	mm
Buzz, Rattle, etc.	must be normal at sine wave between Fo ~ 5K Hz	2.83	V
Polarity	cone will move forward with positive dc current to "+" terminal		
Weight			g
Operating Temperature		-20~+60	°C
Storage Temperature	25~75%. Accordig to standard GB/T9396-1996	15~+35	°C

Lautsprecher LSM-S2515K Art.-Nr.: 130005

MECHANICAL DRAWING

Units: mm
Tolerance: $\pm 0.5\text{mm}$



CONSTRUCTION DETAIL

PART NO.	PART NAME	Q'TY	MATERIAL	REMARK
2	Diaphragm	1	Colth	
3	VOICE COIL	1	Paper Cu	
4	Plate	1	SPCC	
5	Magnet	1	NdFeB	
6	PCB Terminal	1	FR4	
7	Frame	1	PBT	

Lautsprecher LSM-S2515K Art.-Nr.: 130005

Frequency Response Curve

Test condition: 1.0W/1.0M,

