

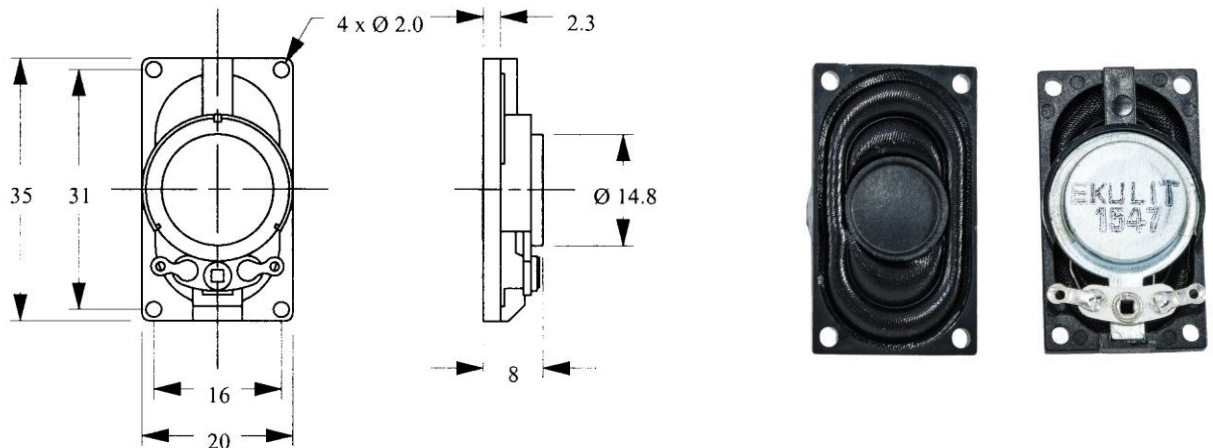
**Lautsprecher LSM-S20K** Art.-Nr.: 130012

**Specification :**

TYPE	UNIT	LSM-S20K
Impedance	$\Omega$	8 $\pm$ 15%
Power (Nominal)	W	1.0
Power (Maximum)	W	2.0
Resonant Frequency	Hz	600 $\pm$ 20%
Sound Pressure Level	dB	75 $\pm$ 3
Frequency Range	Hz	Fo~5.000
Operating Temperature	$^{\circ}$ C	-20~+60
Storage Temperature	$^{\circ}$ C	-30~+70

**Dimensions :**

(Unit: mm)



**Frequency Response :**

