

Lautsprecher LSM-S30K Art.-Nr.: 130020

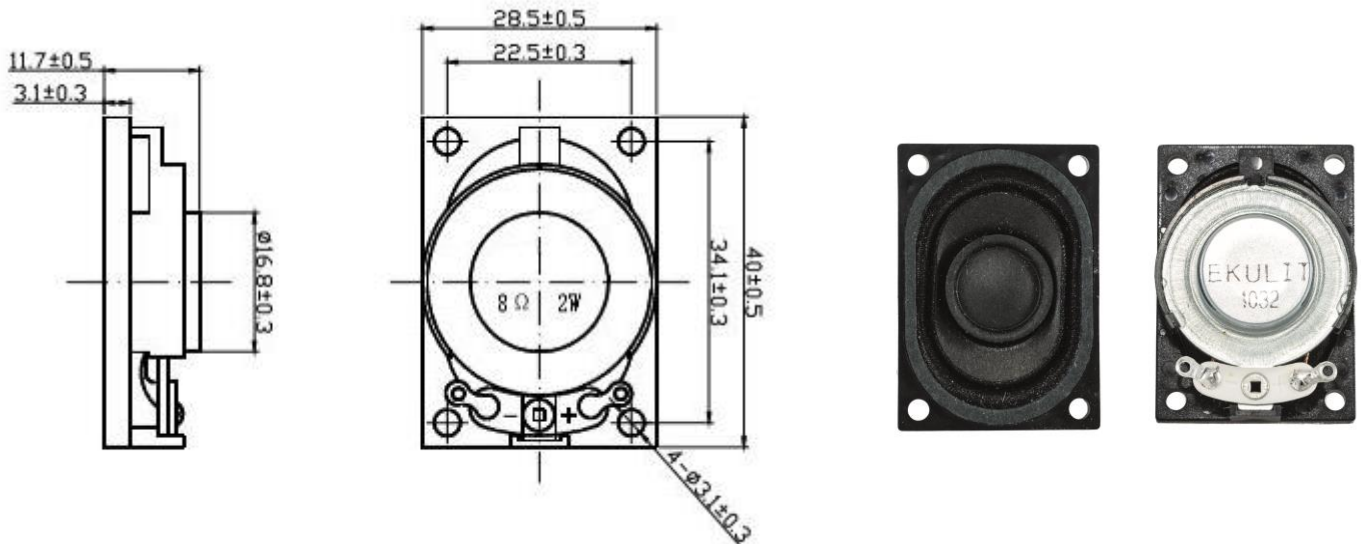
1. SCOPE

This specification cover our product of dynamic speaker.

1.1	USE TYPE	40 x28.5 x11.7 mm
1.2	RATING POWER	2W
1.3	VOICE COIL IMPEDANCE	8 Ω ±15% at 1000Hz 1.0 V
1.4	RESONANCE FREQUENCY	550 Hz ±20% at 1.0 V
1.5	SOUND PRESSURE	93 ±3dB 0.1m /1W at 800,1000,1200,1500Hz in average
1.6	RESPONSE RANGE	Fo -8K Hz deviation 10 dB Max.
1.7	DISTORTION	10% max at 1K Hz 0.1W
1.8	MAX INPUT POWER	3W must be normal at a white noise for one second
1.9	VOICE COIL	Φ 13.28
1.10	MAGNET SIZE	Size Φ 12.5*2.5
1.11	BUZZ RATTLE	Must be normal at sine wave 4V
1.12	LOAD TEST	White noise 2W 24 Hours
1.13	HEAT TEST	55°C ±2°C 20-25% H.M. 24 Hours
1.14	HUMIDITY TEST	40°C ±2°C 90-95% H.M. 24 Hours
1.15	COLD TEST	-25°C 2 Hours
1.16	POLARITY	When a positive D.C current is applied to the voice coil terminal marked(+).the diaphragm shall move forward

Lautsprecher LSM-S30K Art.-Nr.: 130020

Dimensions :



2. FREQUENCY MEASURING CIRCUIT

