

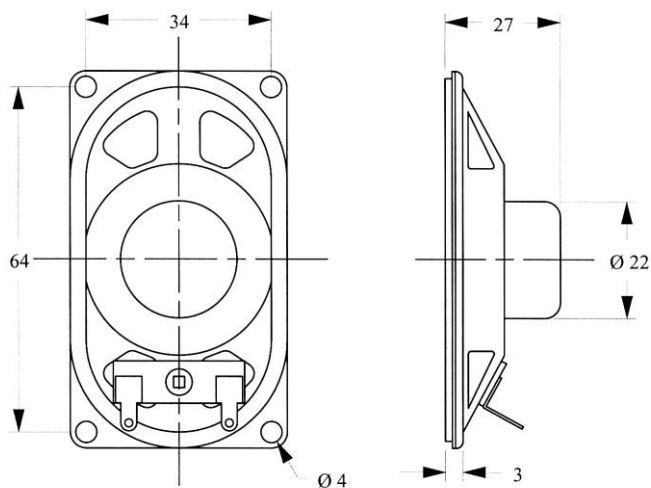
Lautsprecher LSM-O4171-A Art.-Nr.: 130022

Specification :

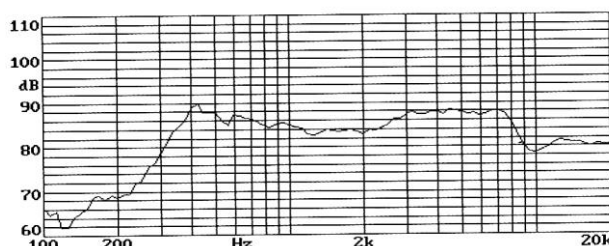
TYPE	UNIT	LSM-O4171-A
Impedance	Ω	8 \pm 15%
Power (Nominal)	W	3.0
Power (Maximum)	W	5.0
Resonant Frequency	Hz	300 \pm 20%
Sound Pressure Level	dB	83 \pm 3
Frequency Range	Hz	Fo~20.000
Operating Temperature	$^{\circ}$ C	-20~+60
Storage Temperature	$^{\circ}$ C	-30~+70

Dimensions :

(Unit: mm)



Frequency Response :



Version 1 / 10/2021