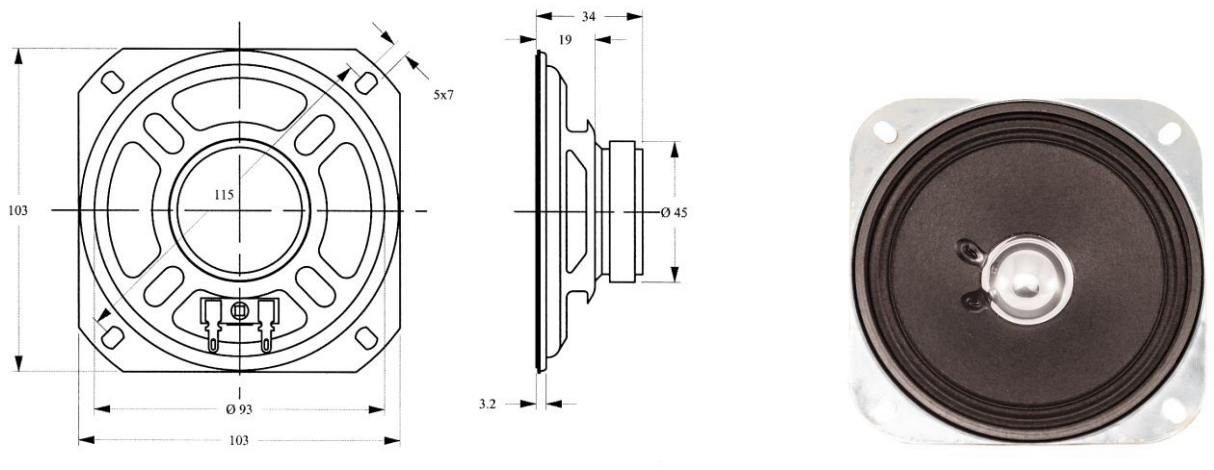


Lautsprecher LSM-104F/SQ Art.-Nr.: 130050

Specification :

TYPE	UNIT	LSM-104F/SQ
Impedance	Ω	$8 \pm 15\%$
Power (Nominal)	W	3
Power (Maximum)	W	5
Resonant Frequency	Hz	$150 \pm 20\%$
Sound Pressure Level	dB	90 ± 3
Frequency Range	Hz	Fo~8.000
Operating Temperature	$^{\circ}\text{C}$	-20~+60
Storage Temperature	$^{\circ}\text{C}$	-30~+70

Dimensions :



(Unit : mm)

Frequency Response :

