

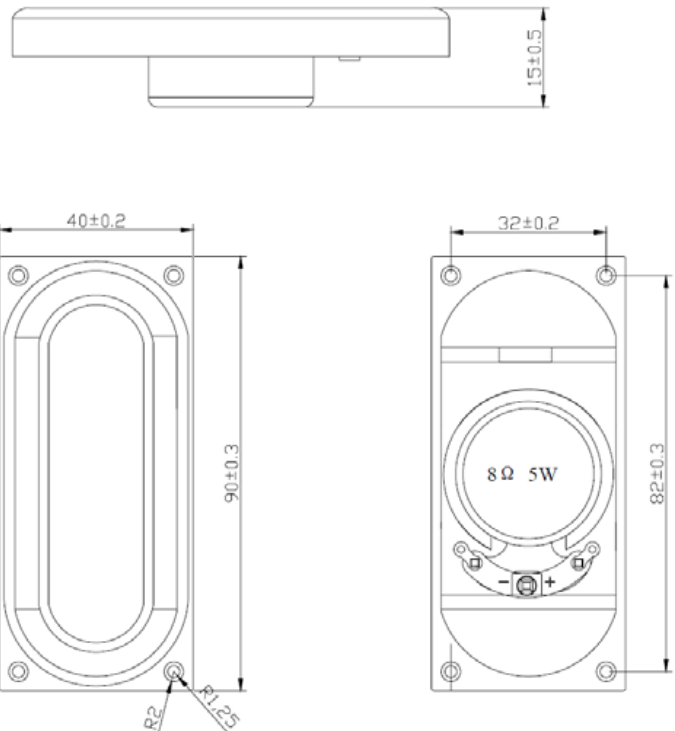
Breitbandlautsprecher LSM-4090A Art.-Nr.: 130070

Specification :

TYPE	UNIT	LSM-4090A
Impedance	Ω	$8 \pm 15\%$
Power (Nominal)	W	5.0
Power (Maximum)	W	6.0
Resonant Frequency	Hz	$180 \pm 20\%$
Sound Pressure Level	dB	81 ± 3
Frequency Range	Hz	96~20.000
Operating Temperature	$^{\circ}\text{C}$	-25~+70
Storage Temperature	$^{\circ}\text{C}$	-40~+85

Dimensions :

(Unit: mm)



Frequency Response :

