

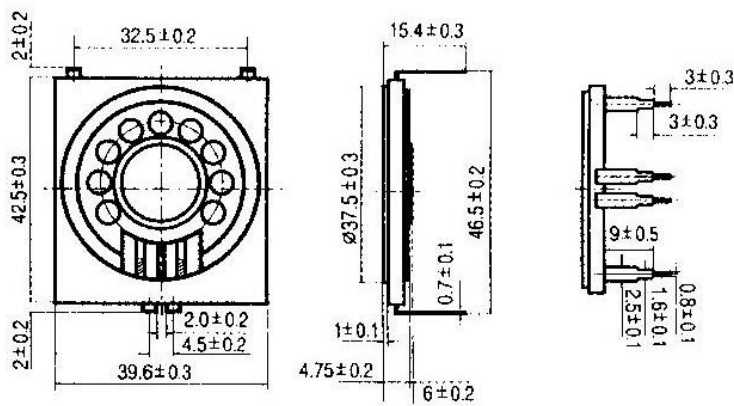
Lautsprecher LSM-S36K Art.-Nr.: 140045

Specification :

TYPE	UNIT	LSM-S36K
Impedance	Ω	16 \pm 15%
Power (Nominal)	W	0.25
Power (Maximum)	W	0.5
Resonant Frequency	Hz	450 \pm 20%
Sound Pressure Level	dB	83 \pm 3
Frequency Range	Hz	Fo~5.000
Operating Temperature	$^{\circ}$ C	-40~+90
Storage Temperature	$^{\circ}$ C	-40~+95

Dimensions :

(Unit: mm)



Unit:mm



Frequency Respons :

