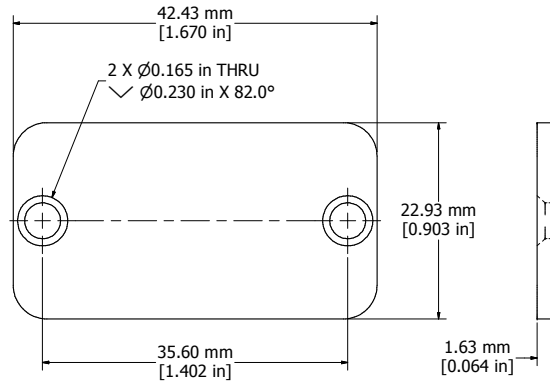
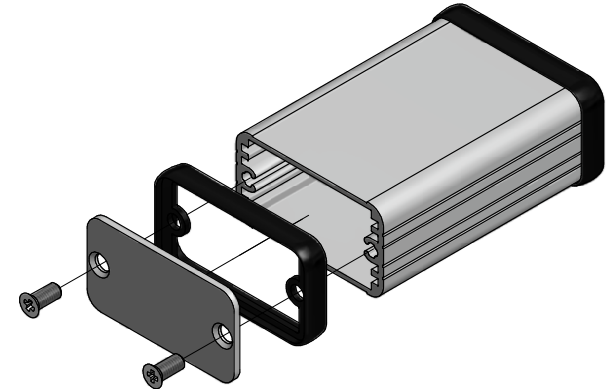


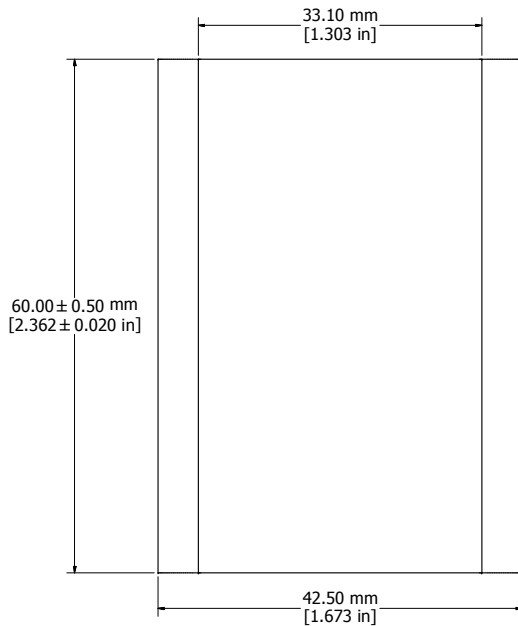
EXTRUSION PROFILE



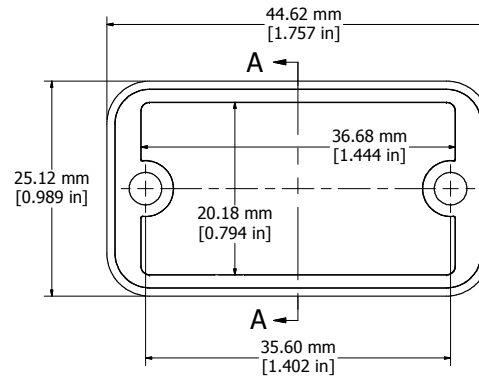
ENDPLATE



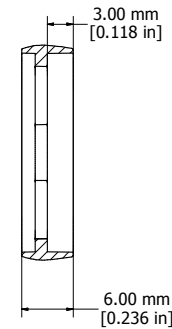
EXPLODED ASSEMBLY VIEW



**\*\*DESIGNED FOR 39MM WIDE PC BOARD\*\***



OPEN BEZEL



SECTION A-A

Enclosures can be Factory Modified ( Milling, Drilling, Printing etc. )  
 Contact Factory [mjm@hammondmfg.com](mailto:mjm@hammondmfg.com) for quotes  
 Solid models of this enclosure available in STEP or IGES.

**NOTE**

Purchased assembly includes box, plastic bezels, End Panels, Custom #6 Taptight screws and self adhesive rubber feet  
 Box made from Extruded Aluminum 6063-T5  
 Bezels made with polycarbonate.  
 End Plates made from 5052-H32 Aluminum

**1455D601**

**PART NUMBERS**

Clear Anodized	1455D601
Black Anodized	1455D601BK
Blue Anodized	1455D601BU
Red Anodized	1455D601RD

**ACCESSORIES**

See website for accessories.

