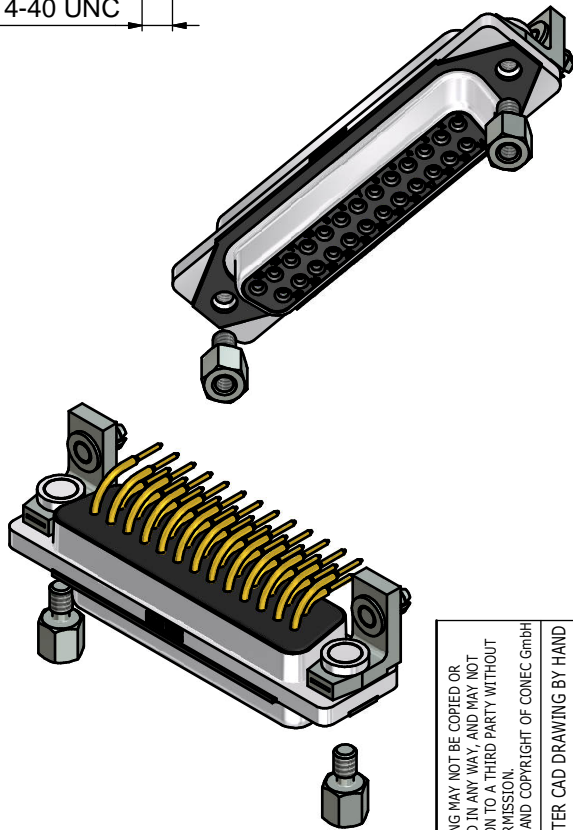
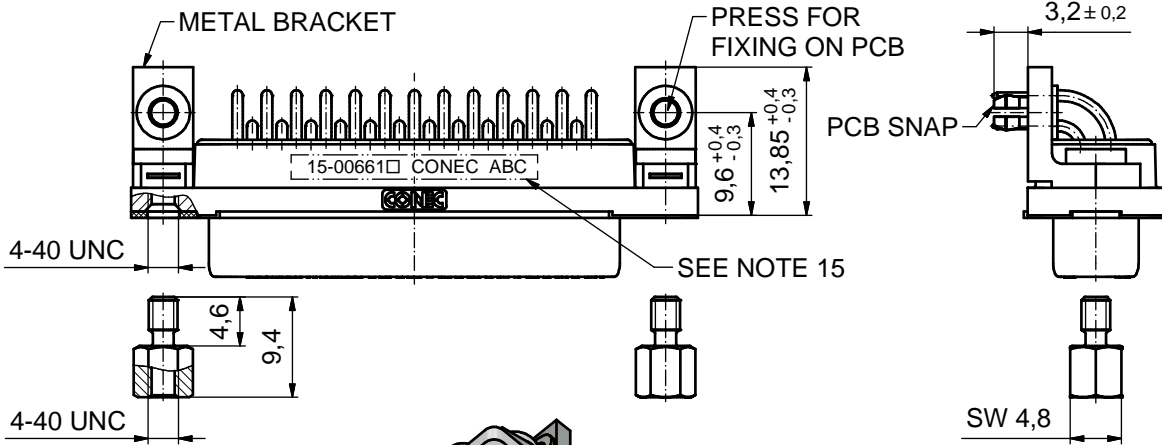
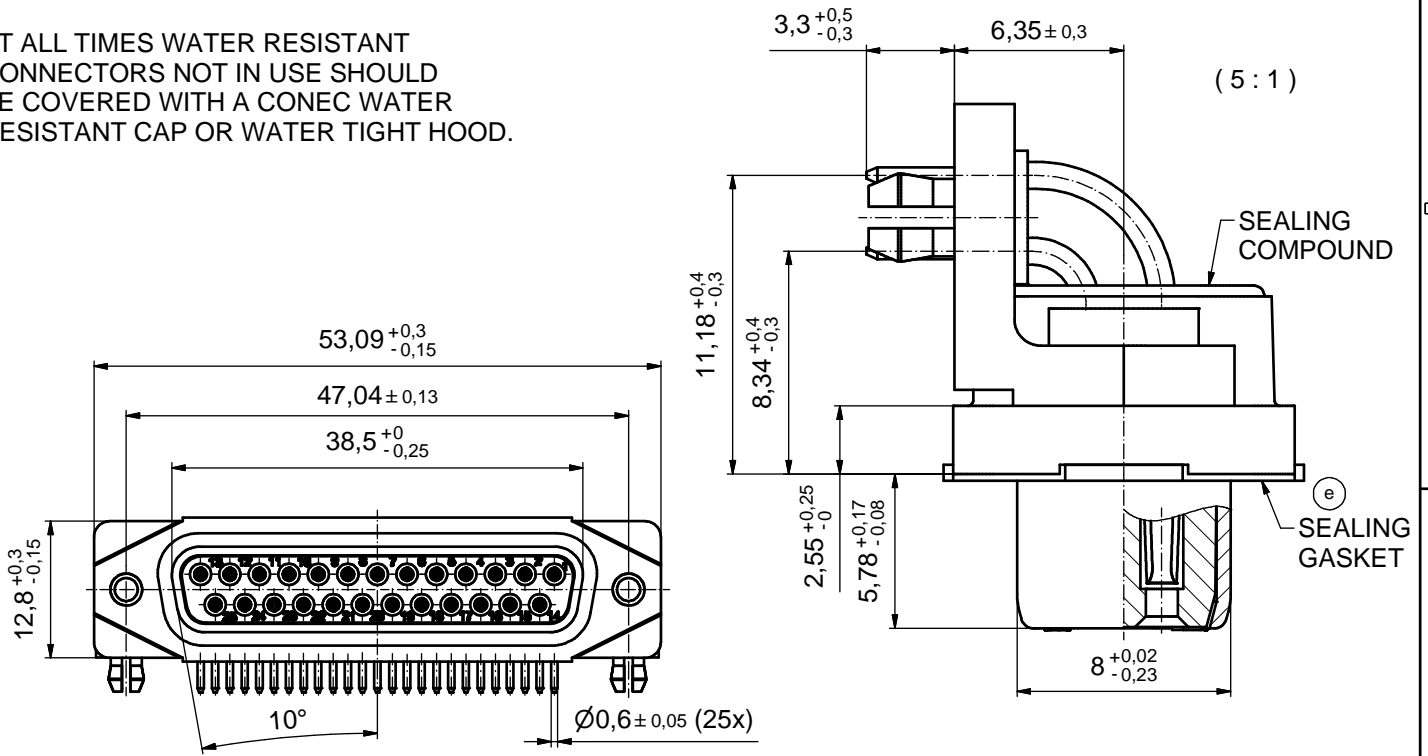


AT ALL TIMES WATER RESISTANT CONNECTORS NOT IN USE SHOULD BE COVERED WITH A CONEC WATER RESISTANT CAP OR WATER TIGHT HOOD.



NOTES:

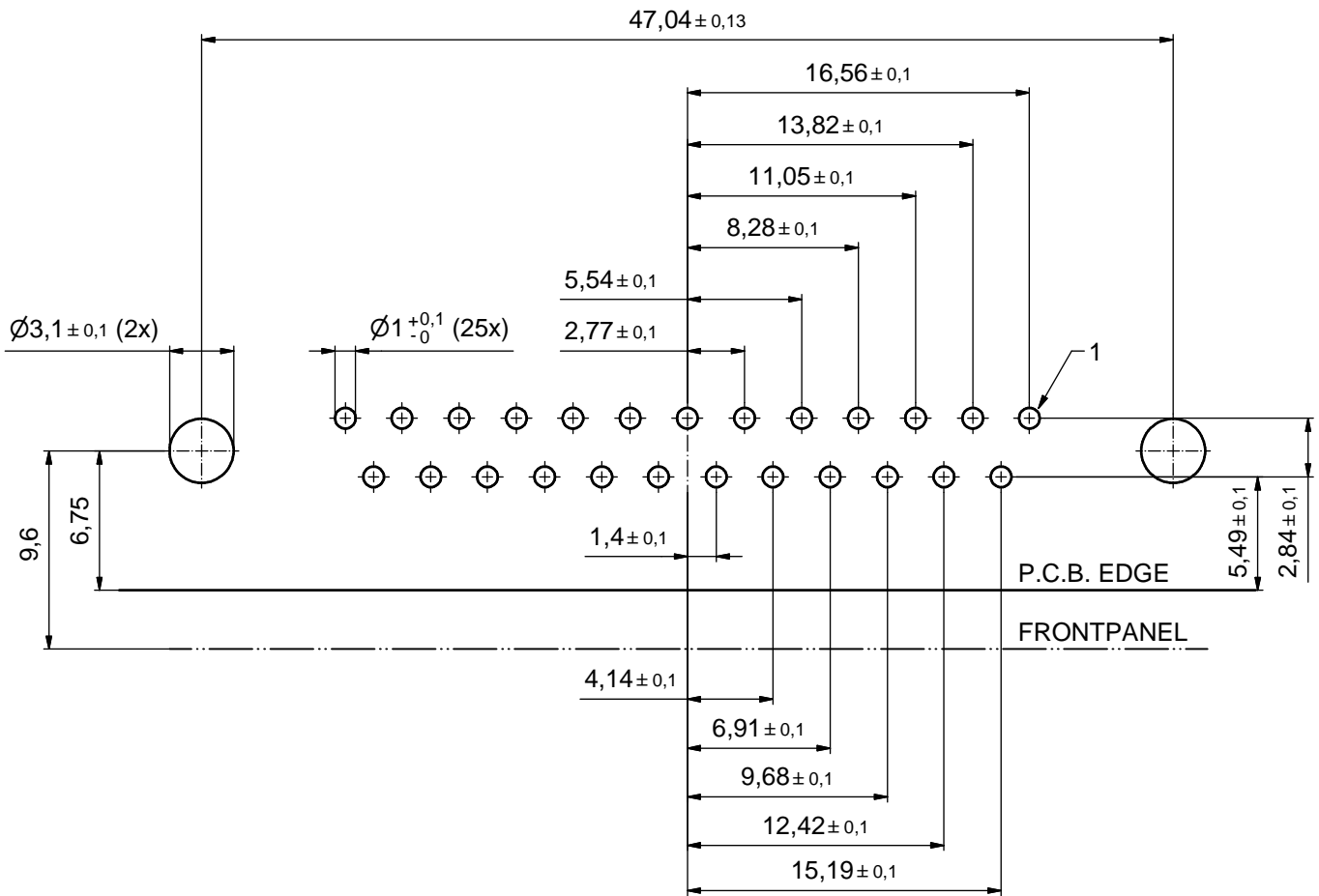
1. FOR WAVESOLDERING (SOLDER BATH TEMPERATURE 265°C FOR 8 SEC. AND SOLDER PREHEAT 150°C FOR 180 SEC.)
2. IP RATING: IP 67
3. SEALED TO WITHSTAND PRESSURE UP TO 1,45 PSI FOR 30 MINUTES AFTER HIGH TEMPERATURE EXPOSURE
4. METAL SHELL: ZINC DIE CAST; min. 50µm NICKEL PLATING over COPPER
5. INSULATORS: PBT GF UL 94 V-0
6. SEALING GASKET: SILICONE
7. SEALING COMPOUND: EPOXY
8. CONTACTS: COPPER ALLOY PLATING (SEE PART NO.): □ PLEASE ADD 1 for 30µm HARD GOLD over min. 50µm NICKEL □ PLEASE ADD 3 for GOLD FLASH over NICKEL
9. METAL BRACKETS: ZINC DIE CAST; 300µm COPPER/40-120µm NICKEL/120-200µm TIN
10. WASHERS: COPPER ALLOY; 80µm NICKEL
11. HEXLOCKING SCREWS: STAINLESS STEEL
12. PCB-SNAPS: COPPER ALLOY; min. 200µm TIN over 80µm NICKEL PCB-HOLE: $\varnothing 3,1 \pm 0,1$ mm; PCB THICKNESS 1,6mm
13. P.C.B. HOLE DRILLINGS and RECOMMENDED PANEL CUT-OUT ON SHEET 2
14. RECOMMENDED TORQUE FOR MOUNTING SCREW 35Ncm (3.1 in.LB) / max. 67Ncm (6 in.LB)
15. CONNECTOR IS PART MARKED: '15-00661 CONEC ABC' (see note 8)

RoHS compliant

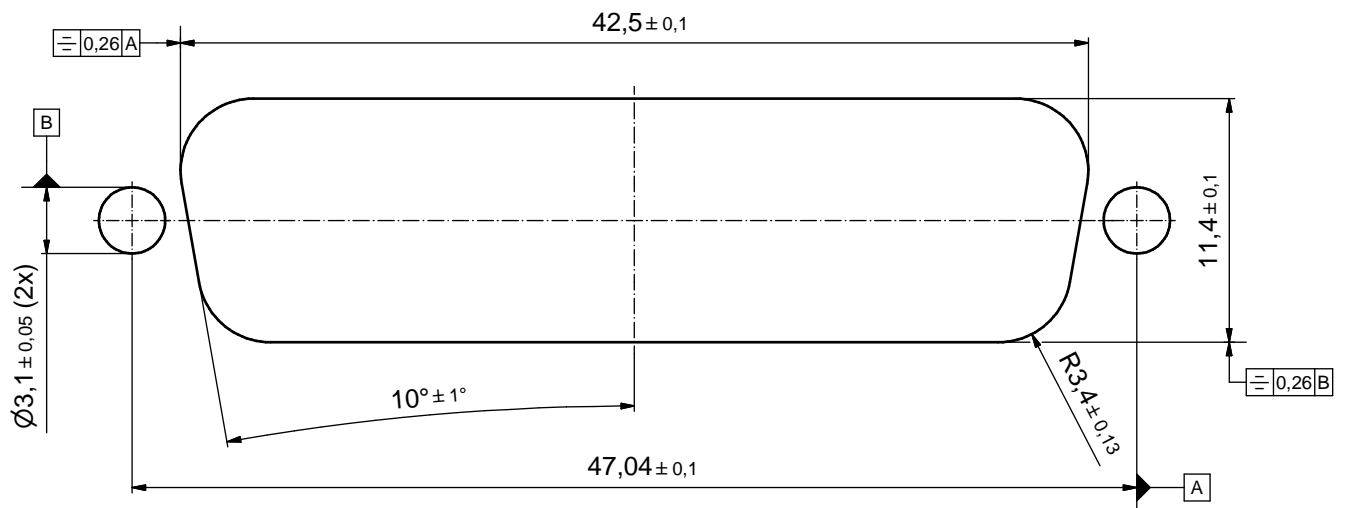
THIS DRAWING MAY NOT BE COPIED OR REPRODUCED IN ANY WAY, AND MAY NOT BE PASSED ON TO A THIRD PARTY WITHOUT WRITTEN PERMISSION. OWNERSHIP AND COPYRIGHT OF CONEC GmbH				tolerance		dim. in mm	scale: 2:1 (5:1)	
				date			material: SEE NOTES	
DO NOT ALTER CAD DRAWING BY HAND				drawn	25.09.14	name		title: D-SUB FEMALE 90° 25pos. SOLDER PIN ANGLED with closed 4-40 UNC thread, metal bracket, snap
				appd.	26.01.15	Fischer		
2 x e	Ä6417	26.06.17	LU.	norm		dwg no:		DIN-A3 sh: 1
2 x d	Ä5827	25.09.15	LU.	d-old		15K1A1556		
2 x c	Ä5800	07.09.15	M.H.			part no:		15-00661 □ (see note 8)
4 x b	Ä5793	02.09.15	K.H.					
a	Original							
rev.	description	date	name	CONEC				

P.C.B. HOLE DRILLINGS

(P.C.B. TOP SIDE)



RECOMMENDED PANEL CUT-OUT



THIS DRAWING MAY NOT BE COPIED OR REPRODUCED IN ANY WAY, AND MAY NOT BE PASSED ON TO A THIRD PARTY WITHOUT WRITTEN PERMISSION. OWNERSHIP AND COPYRIGHT OF CONEC GmbH DO NOT ALTER CAD DRAWING BY HAND				tolerance		scale: 4:1
				dim. in mm		material: SEE SHEET 1
	drawn	25.09.14	Lehmenkühler	date	name	title: P.C.B HOLE DRILLINGS RECOMMENDED PANEL CUT-OUT D-SUB Female 90° 25pos. Solder pin angled
	appd.	26.01.15	Fischer			
	norm					
			d-old		dwg no:	DIN-A3
a	Original		CONEC®		15K1A1556	sh: 2
rev.	description	date			name	part no: