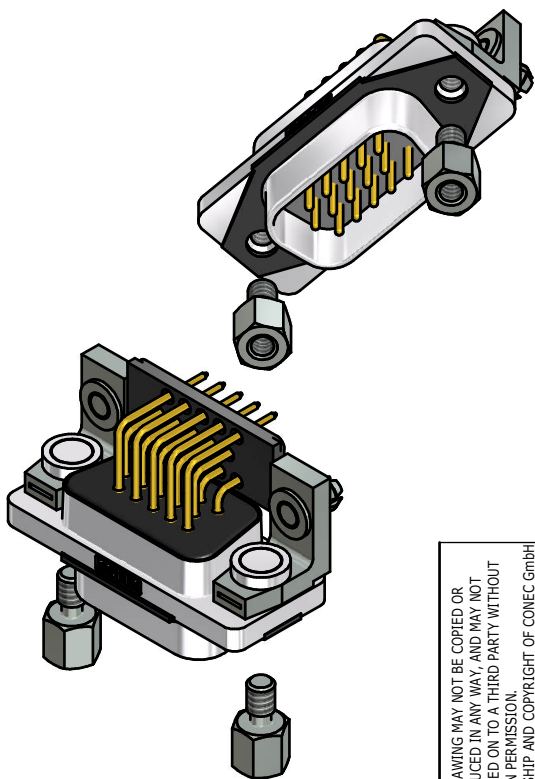
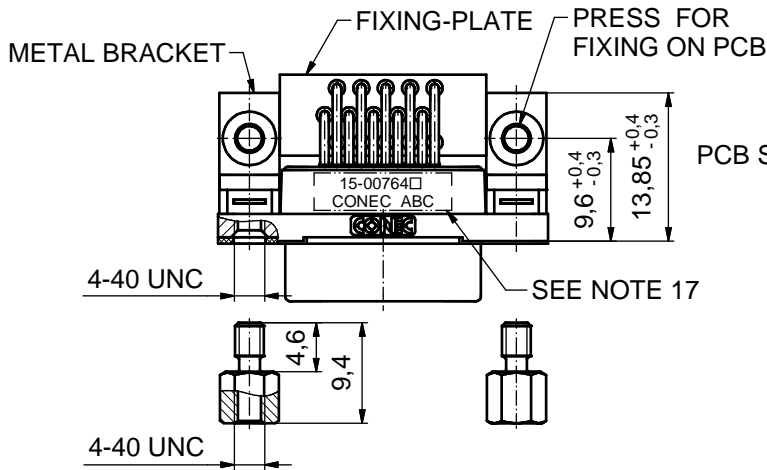
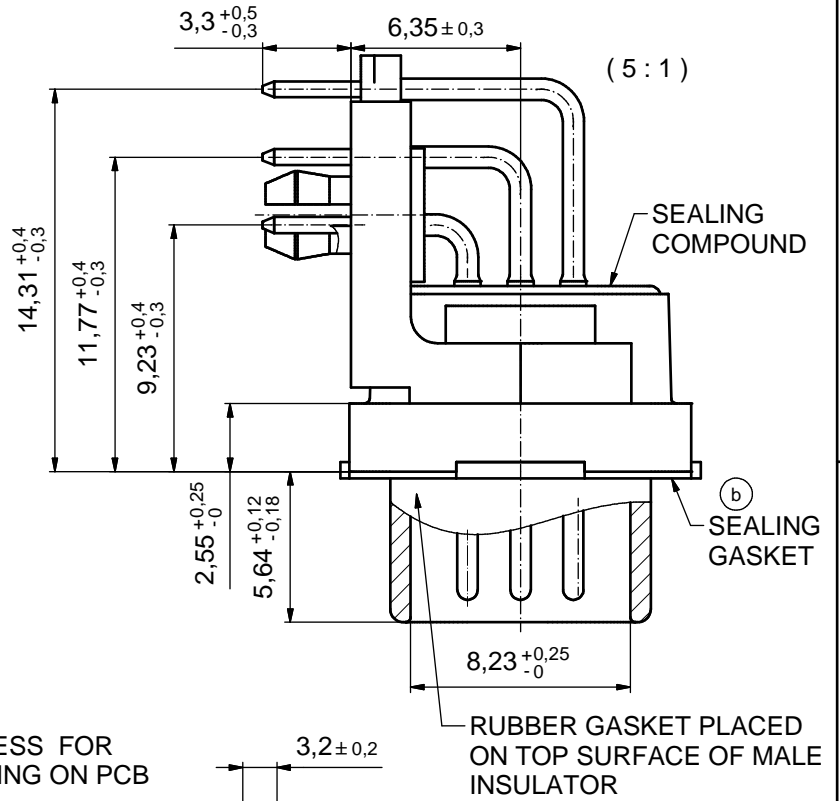
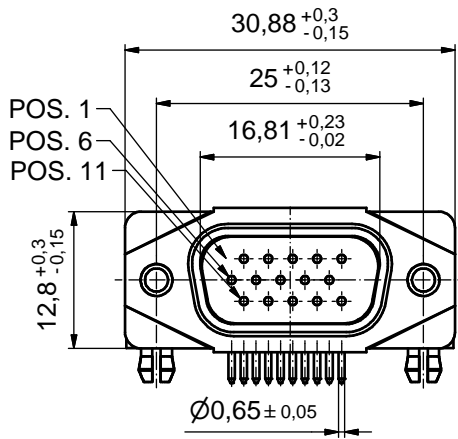


AT ALL TIMES WATER RESISTANT CONNECTORS NOT IN USE SHOULD BE COVERED WITH A CONEC WATER RESISTANT CAP OR WATER TIGHT HOOD.



(b) NOTES:

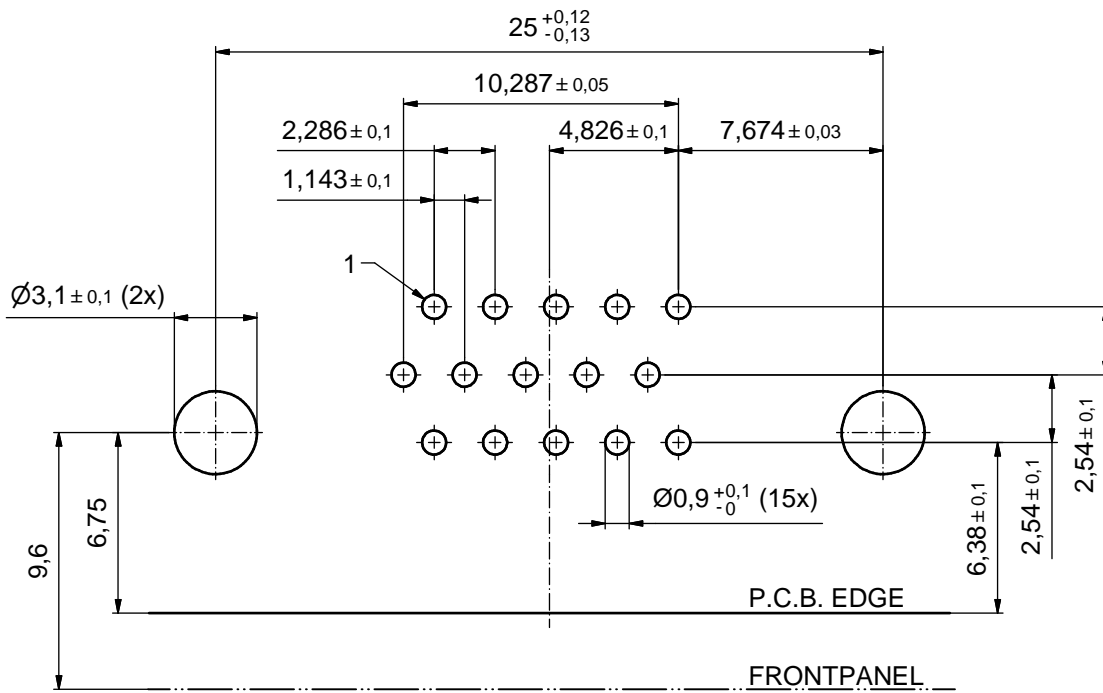
1. FOR WAVESOLDERING (SOLDER BATH TEMPERATURE 265°C FOR 8 SEC. AND SOLDER PREHEAT 150°C FOR 180 SEC.)
2. IP RATING: IP 67
3. SEALED TO WITHSTAND PRESSURE UP TO 1,45 PSI FOR 30 MINUTES AFTER HIGH TEMPERATURE EXPOSURE
4. METAL SHELL: ZINC DIE CAST; min. 50µm NICKEL PLATING over COPPER
5. INSULATORS: PBT GF UL 94 V-0
6. SEALING GASKET: SILICONE
7. RUBBER GASKET: TPE
8. SEALING COMPOUND: EPOXY
9. CONTACTS: COPPER ALLOY PLATING (SEE PART NO.):
 - PLEASE ADD 1 for 30µm HARD GOLD over min. 50µm NICKEL
 - PLEASE ADD 3 for GOLD FLASH over NICKEL
10. METAL BRACKETS: ZINC DIE CAST; 300µm COPPER/40-120µm NICKEL/120-200µm TIN
11. WASHERS: COPPER ALLOY; 80µm NICKEL
12. HEXLOCKING SCREWS: STAINLESS STEEL
13. PCB-SNAPS: COPPER ALLOY; min. 200µm TIN over 80µm NICKEL
PCB-HOLE: $\varnothing 3,1 \pm 0,1$ mm; PCB THICKNESS 1,6mm
14. FIXING-PLATE: PBT GF UL 94 V-0; BLACK
15. P.C.B. HOLE DRILLINGS and RECOMMENDED PANEL CUT-OUT ON SHEET 2
16. RECOMMENDED TORQUE FOR MOUNTING SCREW 35Ncm (3.1 in.LB) / max. 67Ncm (6 in.LB)
17. CONNECTOR IS PART MARKED: 15-00764 CONEC ABC (see note 9)

RoHS compliant

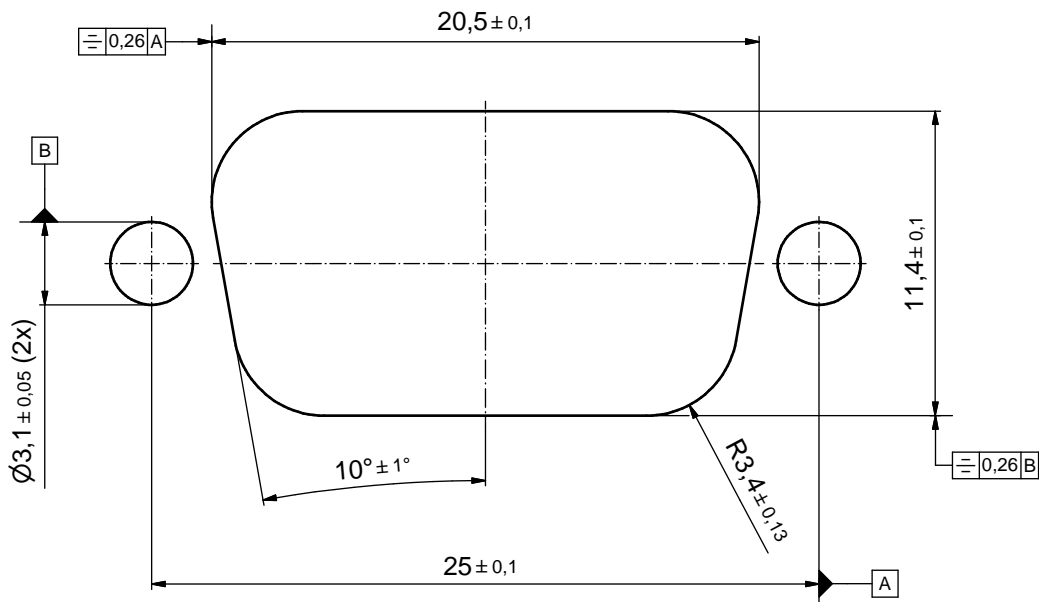
THIS DRAWING MAY NOT BE COPIED OR REPRODUCED IN ANY WAY, AND MAY NOT BE PASSED ON TO A THIRD PARTY WITHOUT WRITTEN PERMISSION. OWNERSHIP AND COPYRIGHT OF CONEC GmbH		DO NOT ALTER CAD DRAWING BY HAND		tolerance			scale: 2:1 (5:1)		
							material: SEE NOTES		
				date		name		title:	
				drawn 12.01.2016		Heinrich		D-SUB MALE 90° HD 15pos. SOLDER PIN ANGLED with closed 4-40 UNC thread, metal bracket, fixing-plate, snap	
				appd. 13.01.2016		Fischer			
				norm					
				d-old				dwg no:	
2 x b		Ä6417		06.04.2017		Unkrüer		DIN-A3	
a		Original						sh: 1	
rev.		description		date		name		part no: 15K1A1689 (see note 9)	

P.C.B. HOLE DRILLINGS

(P.C.B. TOP SIDE)



RECOMMENDED PANEL CUT-OUT



THIS DRAWING MAY NOT BE COPIED OR REPRODUCED IN ANY WAY, AND MAY NOT BE PASSED ON TO A THIRD PARTY WITHOUT WRITTEN PERMISSION. OWNERSHIP AND COPYRIGHT OF CONEC GmbH DO NOT ALTER CAD DRAWING BY HAND				tolerance		scale: 5:1
					dim. in mm	material: SEE SHEET 1
				date	name	title: P.C.B. HOLE DRILLINGS RECOMMENDED PANEL CUT-OUT D-SUB Male 90° HD 15pos. Solder pin angled
				drawn 12.01.2016	Heinrich	
				appd. 13.01.2016	Fischer	
			norm		dwg no:	
			d-old		DIN-A3	
			rev. a	Original	15K1A1689	
			description	date	name	part no: SEE SHEET 1
			CONEC®			sh: 2