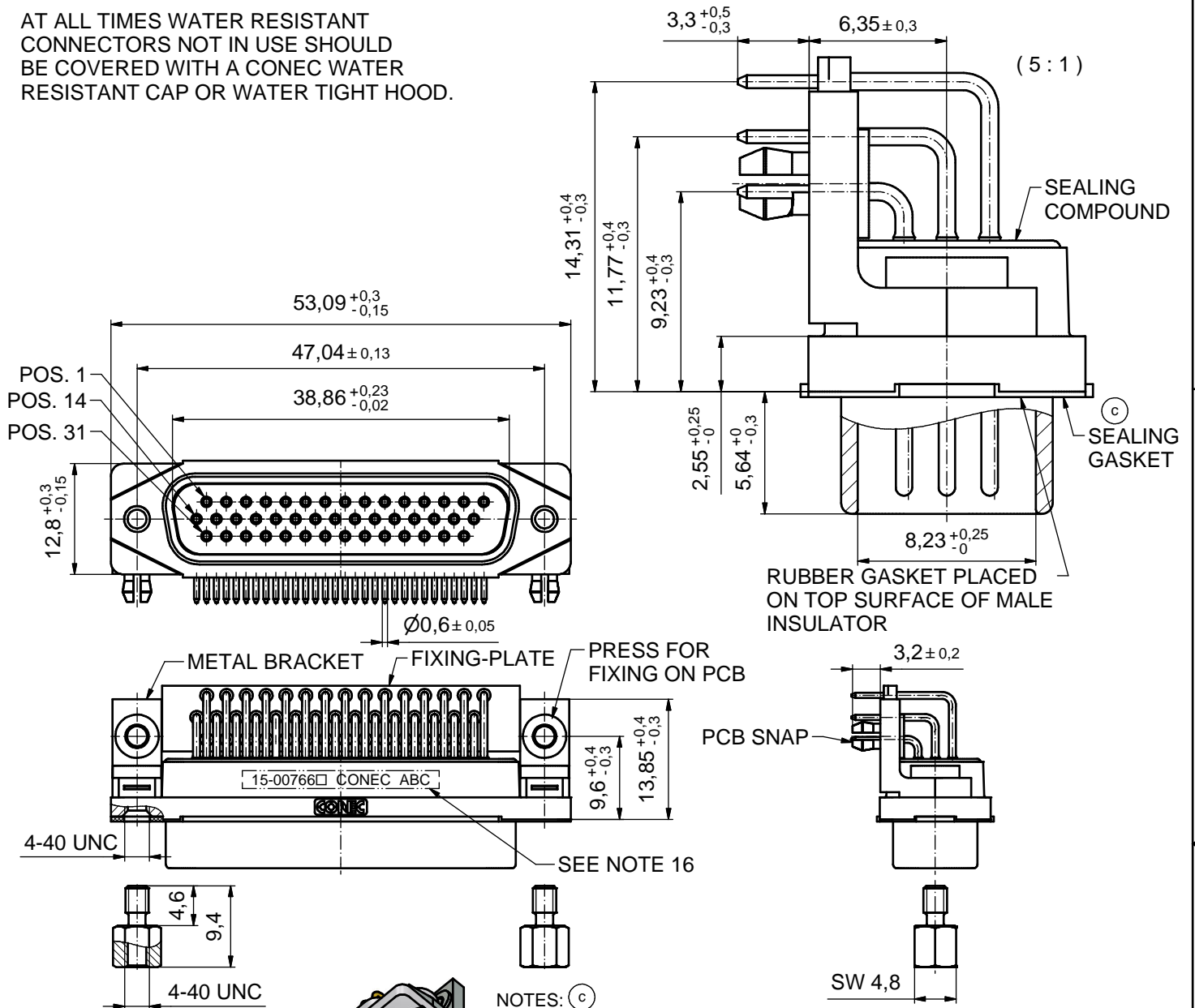


AT ALL TIMES WATER RESISTANT CONNECTORS NOT IN USE SHOULD BE COVERED WITH A CONEC WATER RESISTANT CAP OR WATER TIGHT HOOD.



NOTES: (C)

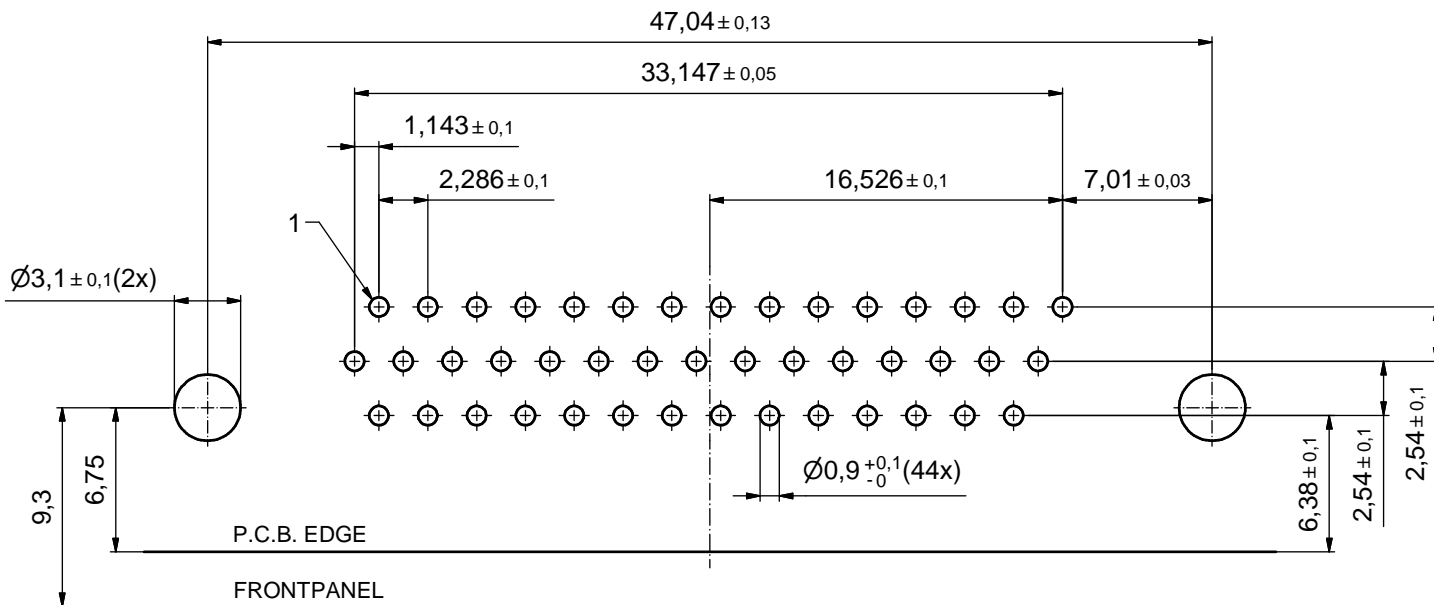
1. FOR WAVESOLDERING (SOLDER BATH TEMPERATURE 265°C FOR 8 SEC. AND SOLDER PREHEAT 150°C FOR 180 SEC.)
2. IP RATING: IP 67
3. SEALED TO WITHSTAND PRESSURE UP TO 1,45 PSI FOR 30 MINUTES AFTER HIGH TEMPERATURE EXPOSURE
4. METAL SHELL: ZINC DIE CAST; min. 50µin NICKEL PLATING over COPPER
5. INSULATORS: PBT GF UL 94 V-0
6. SEALING GASKET: SILICONE
7. RUBBER GASKET: TPE
8. SEALING COMPOUND: EPOXY
9. CONTACTS: COPPER ALLOY PLATING (SEE PART NO.):
 PLEASE ADD 1 for 30µin HARD GOLD over min. 50µin NICKEL
 PLEASE ADD 3 for GOLD FLASH over NICKEL
10. METAL BRACKETS: ZINC DIE CAST; 300µin COPPER/40-120µin NICKEL/120-200µin TIN
11. WASHERS: COPPER ALLOY; 80µin NICKEL
12. HEXLOCKING SCREWS: STAINLESS STEEL
13. PCB-SNAPS: COPPER ALLOY; min. 200µin TIN over 80µin NICKEL
PCB-HOLE: $\varnothing 3,1 \pm 0,1$ mm; PCB THICKNESS 1,6mm
14. FIXING-PLATE: PBT GF UL 94 V-0; BLACK
15. P.C.B. HOLE DRILLINGS and RECOMMENDED PANEL CUT-OUT ON SHEET 2
16. RECOMMENDED TORQUE FOR MOUNTING SCREW 35Ncm (3.1 in.LB) / max. 67Ncm (6 in.LB)
17. CONNECTOR IS PART MARKED: 15-00766 CONEC ABC (see note 9)

RoHS compliant

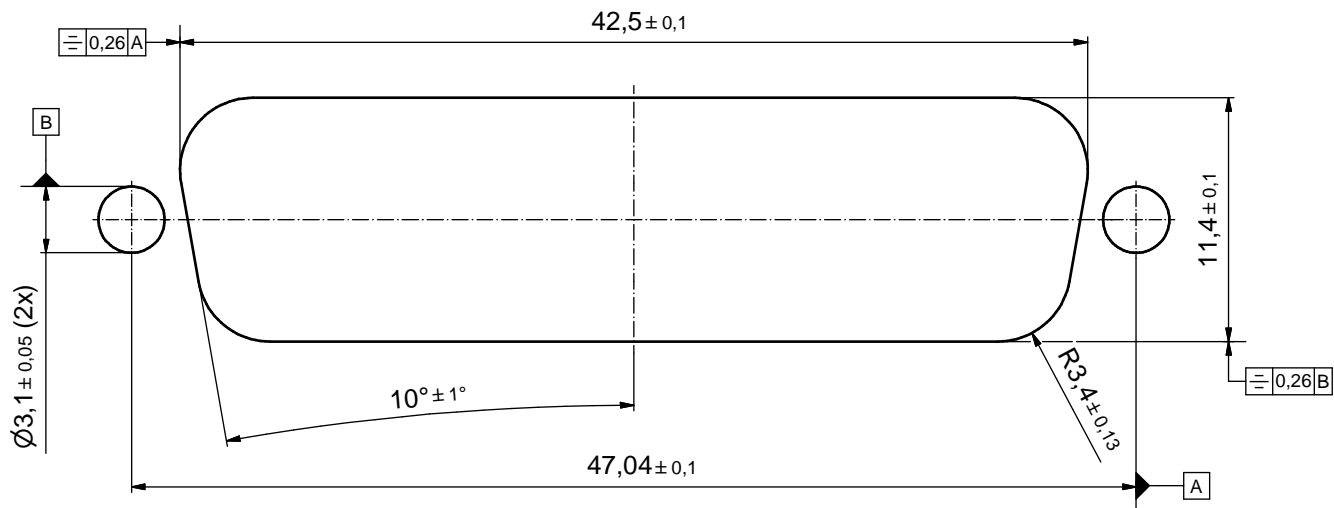
THIS DRAWING MAY NOT BE COPIED OR REPRODUCED IN ANY WAY, AND MAY NOT BE PASSED ON TO A THIRD PARTY WITHOUT WRITTEN PERMISSION. OWNERSHIP AND COPYRIGHT OF CONEC GmbH				tolerance			scale:	2:1 (5:1)
				dim. in mm			material:	SEE NOTES
DO NOT ALTER CAD DRAWING BY HAND				date	name	title: D-SUB MALE 90° HD 44pos. SOLDER PIN ANGLED closed 4-40 UNC thread, metal bracket, fixing-plate, snap		
				drawn	22.09.2015			
2 x c				Ä6417	06.04.2017	L.U.	d-old	dwg no:
				2 x b	Ä5913	13.01.2016	M.H.	
rev. description date name				a	Original	part no: 15-00766 (see note 9)		
				sh: 1				

P.C.B. HOLE DRILLINGS

(P.C.B. TOP SIDE)



RECOMMENDED PANEL CUT-OUT



THIS DRAWING MAY NOT BE COPIED OR REPRODUCED IN ANY WAY, AND MAY NOT BE PASSED ON TO A THIRD PARTY WITHOUT WRITTEN PERMISSION. OWNERSHIP AND COPYRIGHT OF CONEC GmbH DO NOT ALTER CAD DRAWING BY HAND				tolerance		scale: 4:1
					dim. in mm	material: SEE SHEET 1
				date	name	title: P.C.B HOLE DRILLINGS RECOMMENDED PANEL CUT-OUT D-SUB Male 90° HD 44pos. Solder pin angled
				drawn 22.09.2015	Heinrich	
				appd. 23.09.2015	Fischer	
			norm		dwg no:	DIN-A3
			d-old			sh: 2
	a	Original		CONEC [®]		15K1A1691
rev.	description	date	name	part no: SEE SHEET 1		