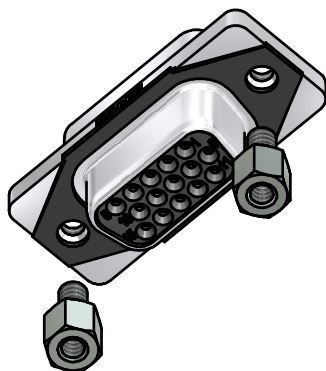
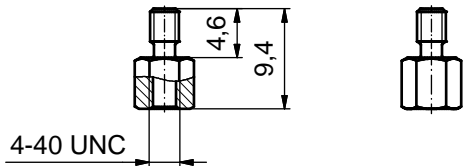
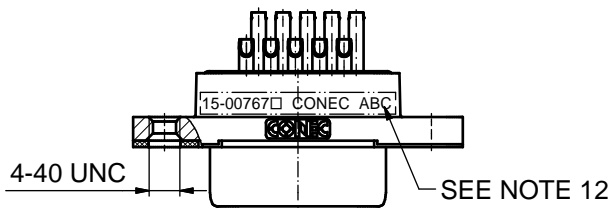
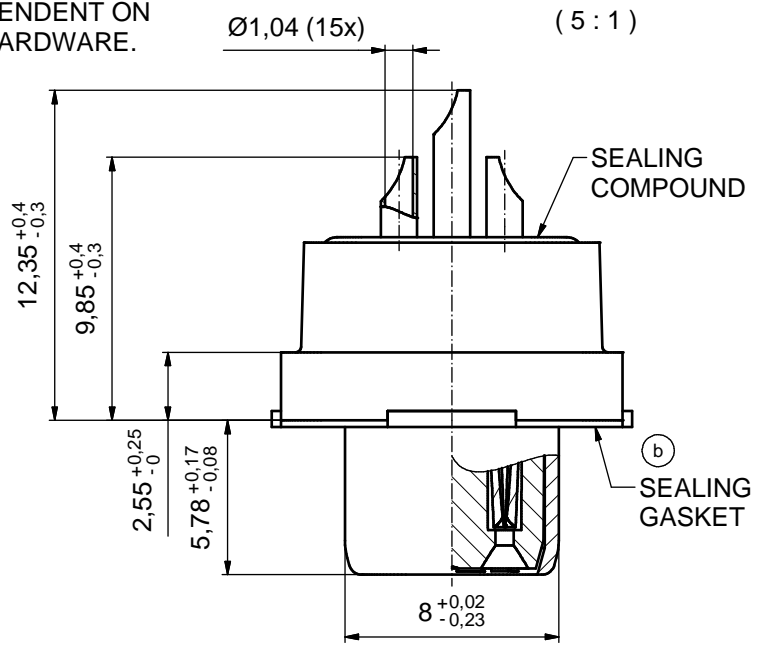
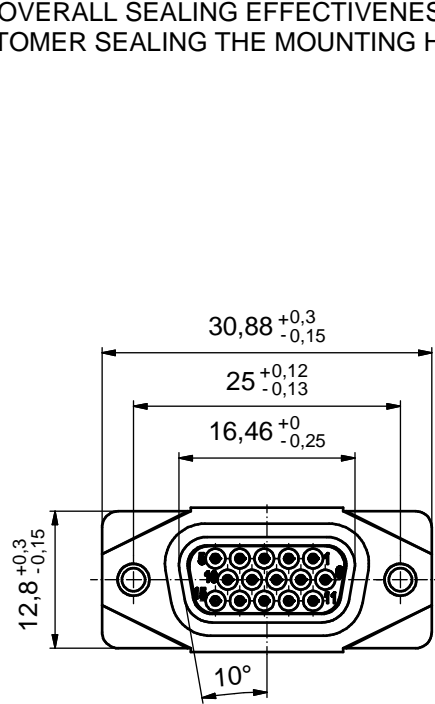
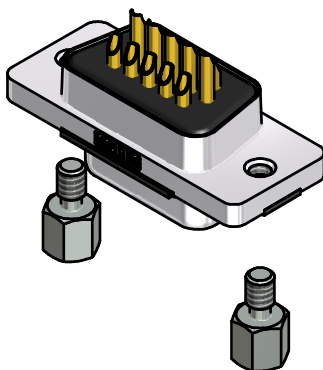


CUSTOMER IS RESPONSIBLE FOR SEALING THE MOUNTING HOLES.
 THE OTHER PARTS OF THE CONNECTOR ARE CONSIDERED IP67,
 BUT THE OVERALL SEALING EFFECTIVENESS IS DEPENDENT ON
 THE CUSTOMER SEALING THE MOUNTING HOLES / HARDWARE.



(b) NOTES:

1. RECOMMENDED SOLDER INSTRUCTION SEE SHEET 2
2. IP RATING: IP 67
3. SEALED TO WITHSTAND PRESSURE UP TO 1,45 PSI FOR 30 MINUTES AFTER SOLDERING
4. METAL SHELL: ZINC DIE CAST; min. 50µm NICKEL PLATING over COPPER
5. INSULATORS: PBT GF UL 94 V-0
6. SEALING GASKET: SILICONE
7. SEALING COMPOUND: EPOXY
8. CONTACTS: COPPER ALLOY; PLATING (SEE PART-NO.):
 PLEASE ADD 1 for 30µm HARD GOLD over min. 50µm NICKEL
 PLEASE ADD 3 for GOLD FLASH over NICKEL
 SOLDER CUP ACCEPTS CABLE AWG 22
9. HEXLOCKING SCREWS: STAINLESS STEEL
10. RECOMMENDED PANEL CUT-OUT ON SHEET 2
11. RECOMMENDED TORQUE FOR MOUNTING SCREW
 35Ncm (3.1 in.LB) / max. 67Ncm (6 in.LB)
12. CONNECTOR IS PART MARKED: 15-00767 CONEC ABC (see note 8)



RoHS compliant

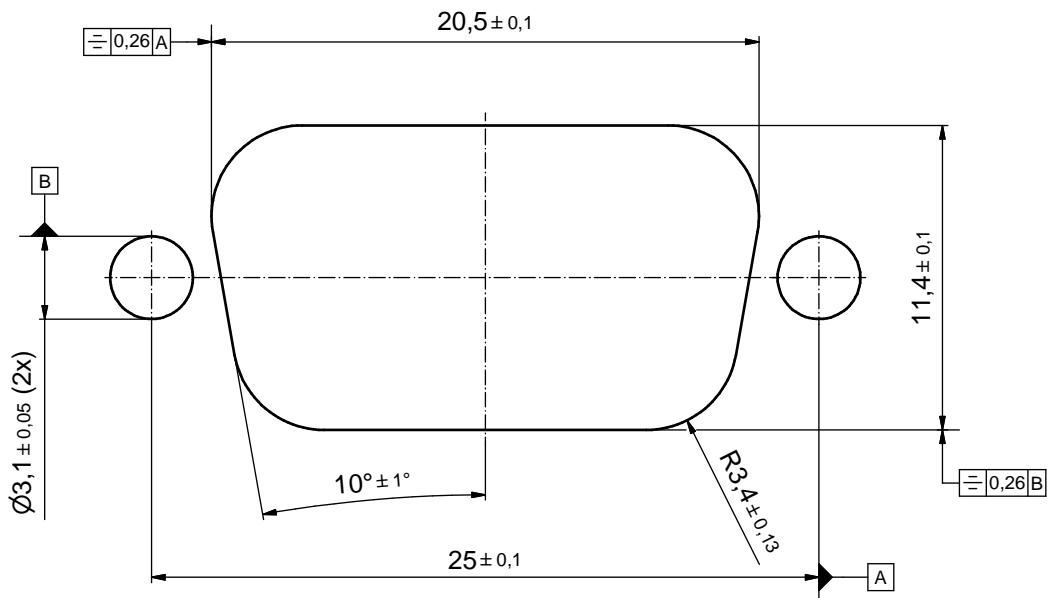
| | | | | | | | | |
|---|--|--|--|------------------|-------------|--|---------------------|---|
| THIS DRAWING MAY NOT BE COPIED OR REPRODUCED IN ANY WAY, AND MAY NOT BE PASSED ON TO A THIRD PARTY WITHOUT WRITTEN PERMISSION. OWNERSHIP AND COPYRIGHT OF CONEC GmbH DO NOT ALTER CAD DRAWING BY HAND | | | | tolerance | | | scale: 2:1 (5:1) | |
| | | | | dim. in mm | | | material: SEE NOTES | |
| | | | | date | name | title: D-SUB FEMALE HD 15pos. SOLDER CUP with open 4-40 UNC thread | | |
| | | | | drawn 16.09.2015 | Heinrich | | | |
| | | | | appd. 22.09.2015 | Fischer | | | |
| | | | | norm | | | | |
| | | | | d-old | | dwg no: | | DIN-A3 |
| | | | | | | 15K1A1671 | | |
| | | | | 2 x b | Ä6417 | 06.04.2017 | Unkrüer | sh: 1 |
| | | | | rev. | description | date | name | part no: 15-00767 <input type="checkbox"/> (see note 8) |



Solder Instruction

1. Cable should be prepared for soldering. The cable/wires must be pretinned.
2. Insert cable/wire into solder cup.
3. Operate the soldering iron at 350°C, 50 Watt max. and use a pencil tip.
4. apply some solder to the solder tip of the soldering iron
5. Put tip to wire in solder cup.
6. After 1 seconds bring in the solder
7. Heat for 3 seconds longer. Do not heat contact more than 4 seconds in total.
8. Remove soldering iron.
9. Wait until solder gets rigid again.
10. Do not solder adjacent contacts consecutively, alternate position within the connector to minimize heat build up.

RECOMMENDED PANEL CUT-OUT



| | | | | | | |
|--|-------------|------|---------------|------------------|------------|---|
| THIS DRAWING MAY NOT BE COPIED OR REPRODUCED IN ANY WAY, AND MAY NOT BE PASSED ON TO A THIRD PARTY WITHOUT WRITTEN PERMISSION. OWNERSHIP AND COPYRIGHT OF CONEC GmbH DO NOT ALTER CAD DRAWING BY HAND | | | | tolerance | | scale: 5:1 |
| | | | | | dim. in mm | material: SEE SHEET 1 |
| | | | | date | name | title: |
| | | | | drawn 16.09.2015 | Heinrich | RECOMMENDED PANEL CUT-OUT D-SUB FEMALE 15pos. SOLDER CUP with open 4-40 UNC thread |
| | | | | appd. 22.09.2015 | Fischer | |
| | | | | norm | | |
| | | | | d-old | | dwg no: |
| a | Original | | CONEC® | | 15K1A1671 | DIN-A3 |
| rev. | description | date | | | name | part no: SEE SHEET 1 |