

battery type: Lithium Button Cell
battery size: CR2450
chemical system: Lithium Manganese Dioxide

nominal voltage: 3.0 V
open circuit voltage: 3.0...3.4 V (new battery)
 2.9...3.4 V (after 1 year storage at 20°C)

Conditions

capacity rated: 540 mAh (discharge at 7.5kΩ resistive load; 24hours/day; End Voltage (EV): 2.0V)
minimum: 510 mAh (discharge at 7.5kΩ resistive load; 24hours/day; End Voltage (EV): 2.0V)

Service Life

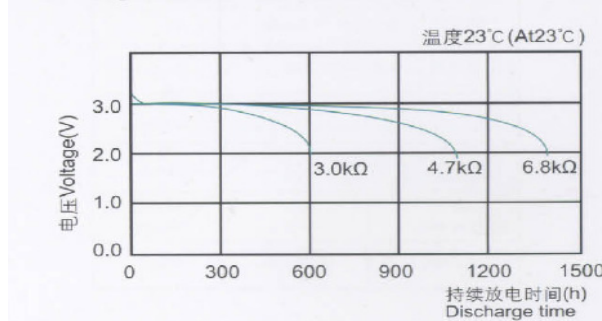
at 7.5kΩ load; 24hours/day
 ≥ 1350 h EV: 2.0V (new battery (tested within 60 days after production))
 ≥ 1269 h EV: 2.0V (after 12 months)
 Standard discharge time ≥ 160 h at 1kΩ load (for QC measurement)

Discharge currents

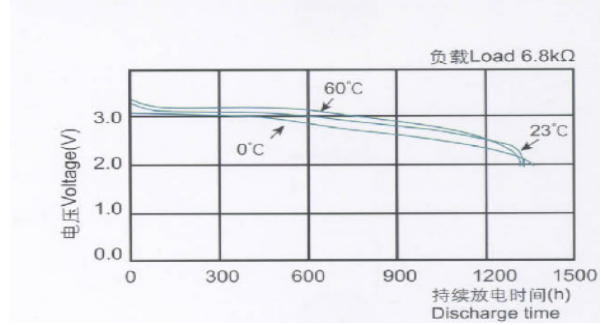
standard: 0.4 mA
max. recommended current under continuous discharge: 5 mA
max. recommended current under pulse discharge: 20 mA

Discharge diagrams:

Discharge Characteristics on Load



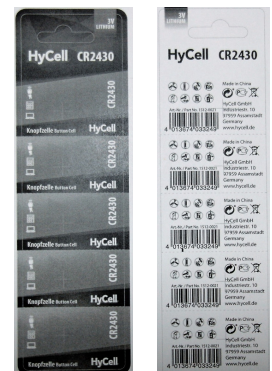
Discharge Characteristics on Temperature



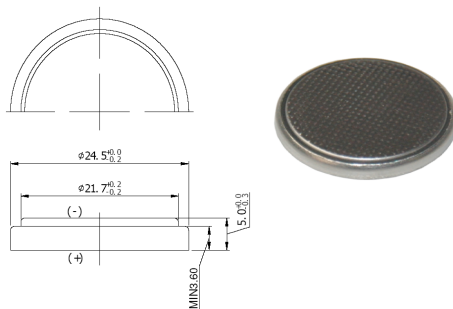
shelf life: 5 years under proper storage conditions (ta: ≤ 22°C; RH: 60 ± 15%)

operating temperature range: - 20...60 °C

example picture



mechanical specifications:



nominal weight: 6.1 g

blister card:
dimensions: 55 x 200 x 6.0mm
weight: approx. 34.5g (incl. batteries)

	ANSMANN Specifications for model:	CR2450 Lithium Button Cell "HyCell" 5 pcs tear-off blister package
	data sheet no. / part no.	1516-0107
	supplier no.	703385
	author / date	TG / 10.04.2018