

Elektromagnetischer Signalgeber AL-60P05SA

Art.-Nr.: 155110SA

ohne Ansteuerung

Specification :

No.	Technical terms	Value
1	Rated Voltage (V)	5
2	Operating Voltage (V)	3~7
3	Resonant Frequency (Hz)	2048
4	☆Coil Resistance (Ω)	42±6
5	☆*Sound Output at 10cm (dB)	≥90
6	☆*Current Consumption (mA)	≤50
7	Operating Temperature (°C)	-40~+85
8	Storage Temperature (°C)	-40~+90
9	Weight (g)	2
10	Housing Material	PBT
11	RoHS	Yes

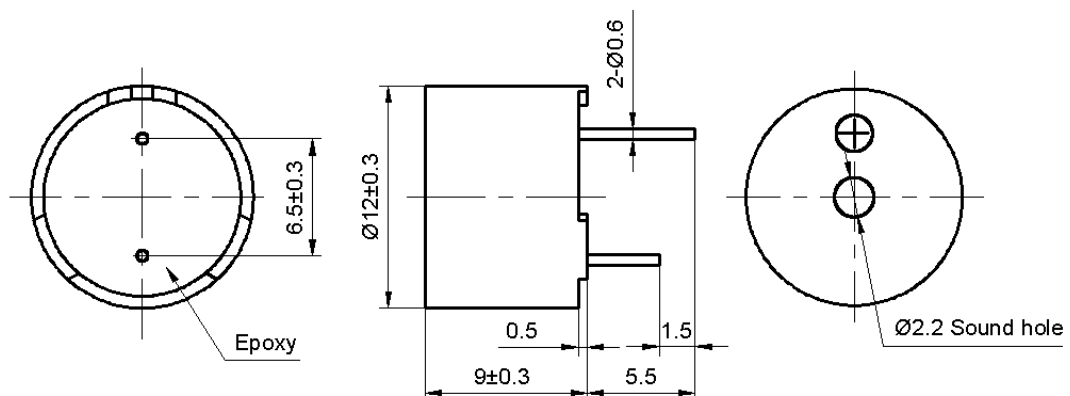
*Applying rated voltage (Resonant frequency, 1/2duty, Square wave)

☆Tset Basic State: Temp(20±2°C), Humidity(40~70%RH), Air pressure(860~1060hPa).

Dimensions :

(Unit : mm)

Tolerance :±0,5mm Except Specified



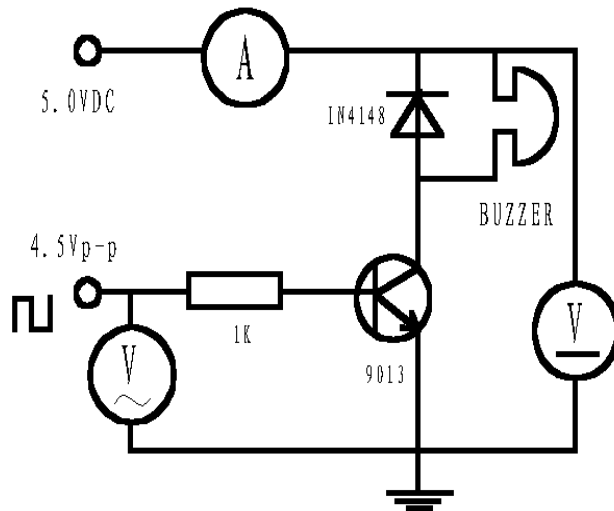
Version 1 / 10/2021

Elektromagnetischer Signalgeber AL-60P05SA

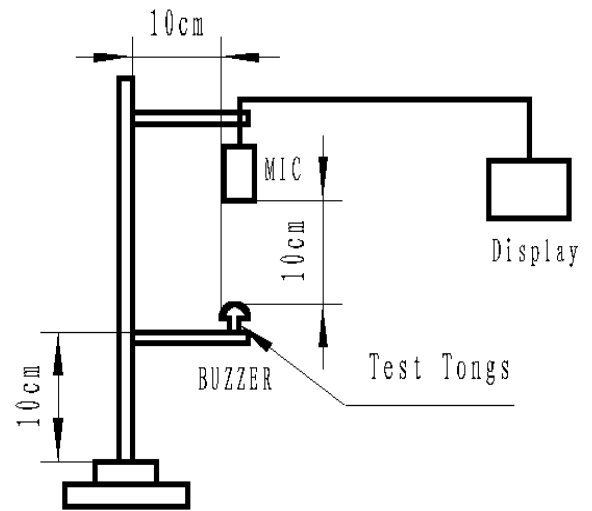
Art.-Nr.: 155110SA

ohne Ansteuerung

Test Method :

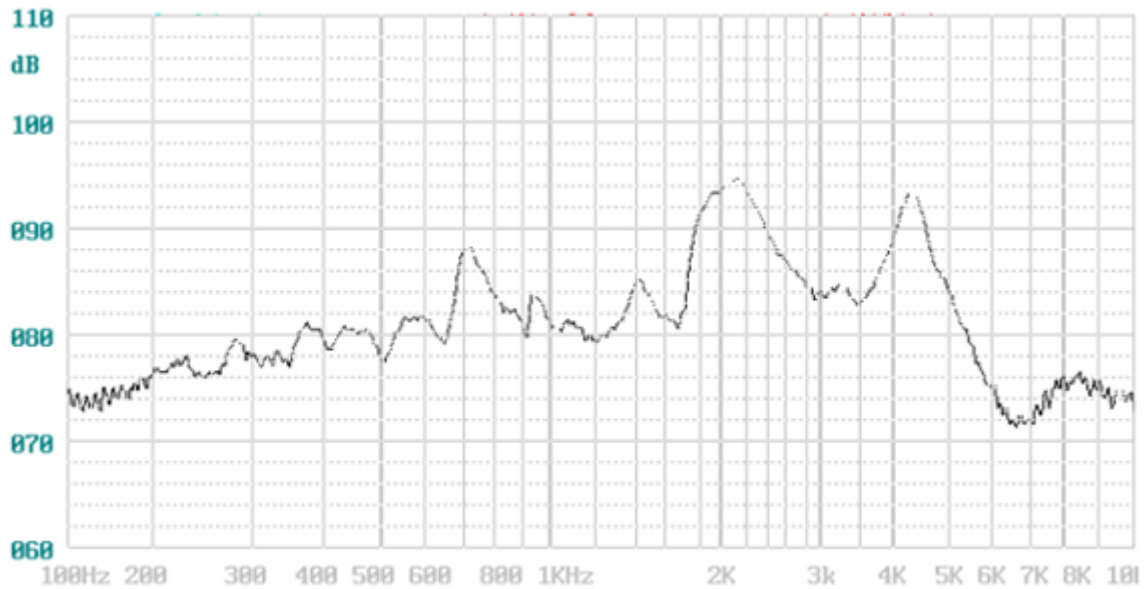


Test Circuit



Test Equipis

Frequency response :



Elektromagnetischer Signalgeber AL-60P05SA Art.-Nr.: 155110SA

ohne Ansteuerung

Reliability Test :

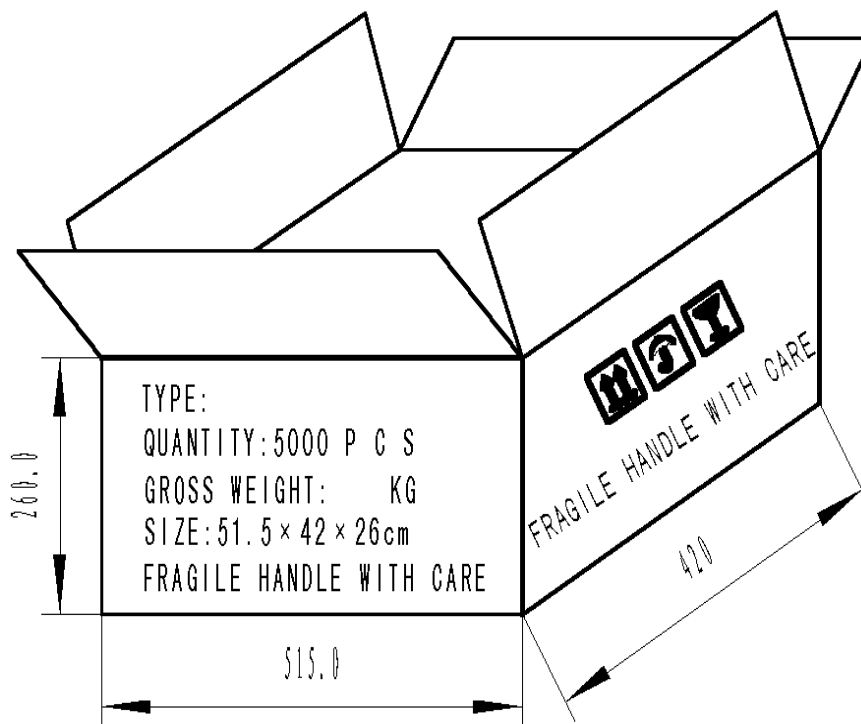
NO.	ITEM	TESTING CONDITION	VARIANCE AFTER TEST
1	Humidity	40±2°C, 90~95% RH, 96HRS	All specifications must be satisfied after the test.
2	High temp.	+90±2°C, 96HRS	
3	Low temp.	-40±2°C, 96HRS	
4	Temperature Cycling	-40±2°C, 30minutes room temp. 15 minutes +90±2°C, 30 minutes room temp. 15 minutes 5 cycles	
5	Drop test	3 times from height of 70cm onto the surface of 10mm thick wooden board.	
6	Vibration test	Make the test for the directions of X Y and Z (total 0.5 hours). To-and-fro. sweep time (from 10 to 55 Hz and then from 55 to 10 Hz) under single amplitude of 1.0mm is 1 minute.	
7	Solder heat resistance	The part leads (pins) shall be immersed in molten solder maintained at 260±5°C for a period of 10 seconds. Refer to GB2423.28.	
Warranty: For a period of one year from date of manufacture under normal operations.			

Elektromagnetischer Signalgeber AL-60P05SA

Art.-Nr.: 155110SA

ohne Ansteuerung

Packing :



NOTES:

1. 100 PCS per box
2. Total 50 boxes per carton
3. Total 5000 PCS carton
4. Volume: 51.5×42×26cm