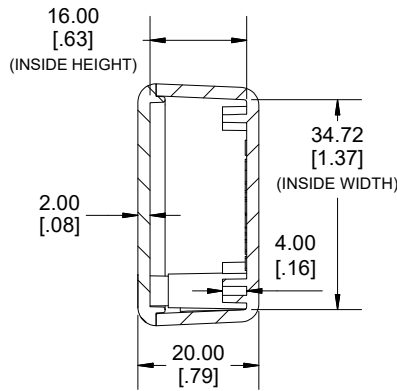
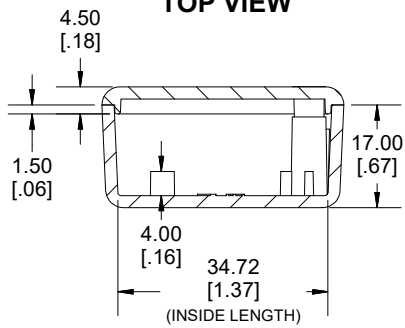
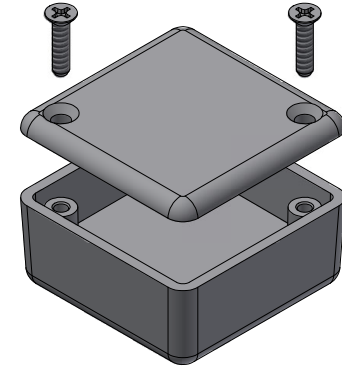


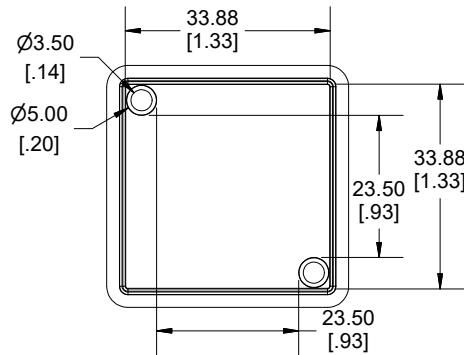
TOP VIEW



END VIEW SECTION B-B

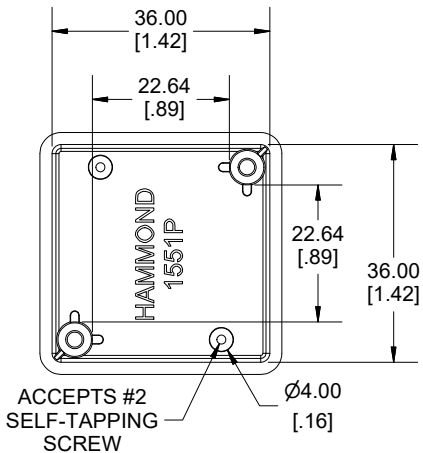


SIDE VIEW SECTION A-A

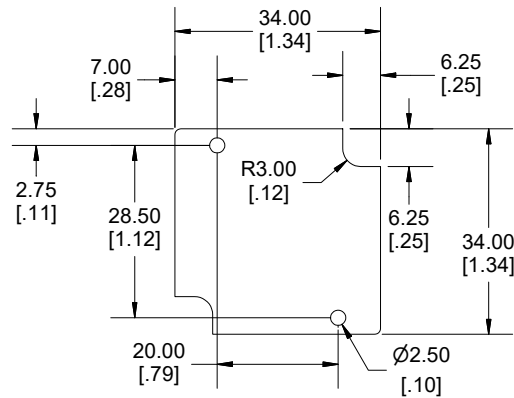


INSIDE LID

Enclosures can be Factory Modified (Milling, Drilling, Printing etc.)
 Contact Factory (modshop@hammfg.com) for quotes
 Solid models of this enclosure available in .stp or .x_t
 (Part number and text placement/orientation on our products are subject to change,
 we do not recommend using them as a locating reference for modification purposes)



INSIDE BOX



MAXIMUM P.C. BOARD SIZE

Dimensions:
 mm
 [inches]

NOTE	
Purchased assembly includes box, lid, 2 cover screws. Enclosure molded from general purpose ABS Plastic. Other materials / colours available consult factory.	
Recommended Torque : (35-43) Ozf.in / (25-30) cN.m	

PART NUMBERS	
1551P Enclosure	
Black Enclosure - Ral 9011 - UL94 - HB	1551PBK
Gray Enclosure - RAL 7035 - UL94 - HB	1551PGY
Translucent Blue - UL94 - HB	1551PTBU
ACCESSORIES	
Black Cover Screws #4 X 1/2" Self-tapping	1591TS100BK (Pkg 100)
Plated Cover Screws #4 X 1/2" Self-tapping	1591TS100 (Pkg 100)
P.C. Board Screws [#2 x 3/16" self-tapping (4.8mm)]	1551ATS100 (Pkg 100)



HAMMOND[®]
1551P
 www.hammondmfg.com