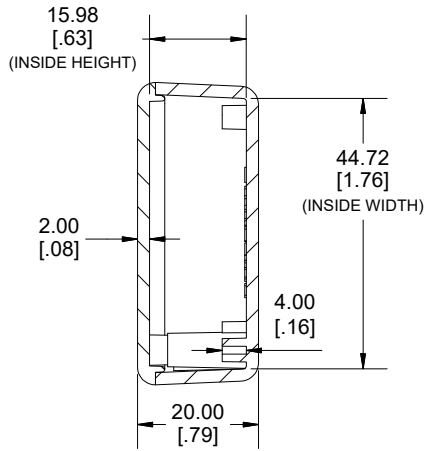
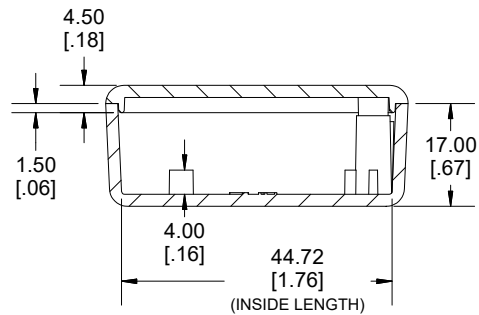
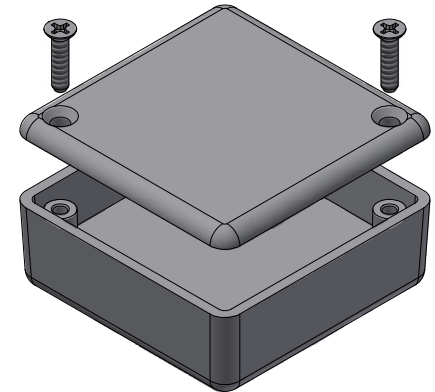


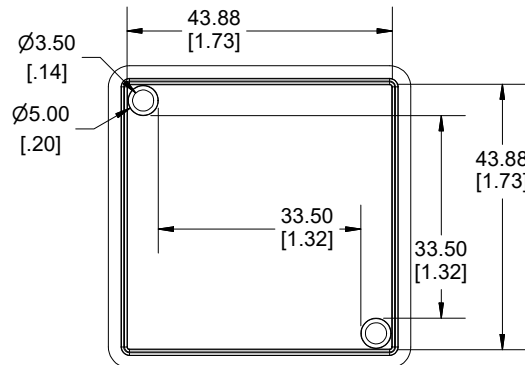
**TOP VIEW**



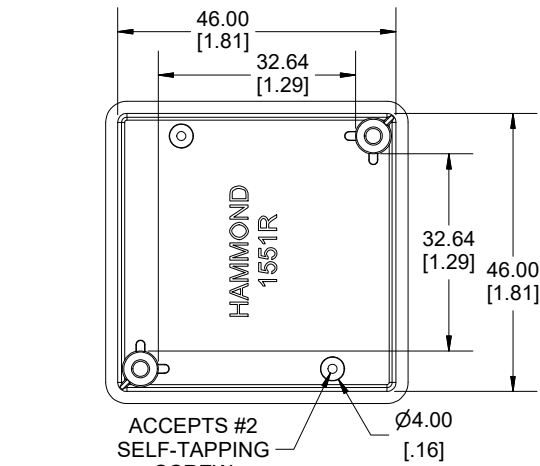
**END VIEW SECTION B-B**



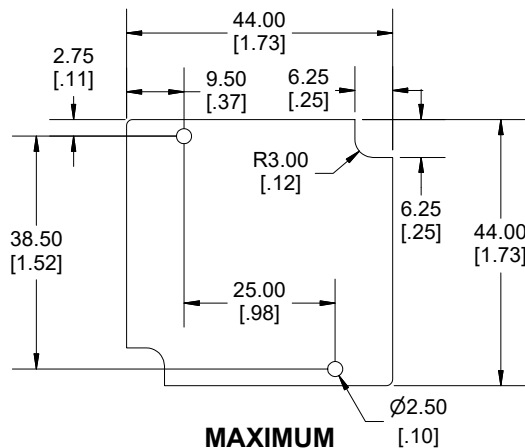
**SIDE VIEW SECTION A-A**



**INSIDE LID**



**INSIDE BOX**



**MAXIMUM P.C. BOARD SIZE**

Dimensions:  
mm  
[inches]

Enclosures can be Factory Modified (Milling, Drilling, Printing etc.)  
Contact Factory (modshop@hammfg.com) for quotes  
Solid models of this enclosure available in .stp or .x\_t  
(Part number and text placement/orientation on our products are subject to change,  
we do not recommend using them as a locating reference for modification purposes)

NOTE	
Purchased assembly includes box, lid, 2 cover screws. Enclosure molded from general purpose ABS Plastic. Other materials / colours available consult factory.	
<b>Recommended Torque : (35-43) Ozf.in / (25-30) cN.m</b>	
PART NUMBERS	
<b>1551R Enclosure</b>	
Black Enclosure - Ral 9011 - UL94 - HB	1551RBK
Gray Enclosure - RAL 7035 - UL94 - HB	1551RGY
Translucent Blue - UL94 - HB	1551RTBU
ACCESSORIES	
Black Cover Screws #4 X 1/2" Self-tapping	1591TS100BK (Pkg 100)
Plated Cover Screws #4 X 1/2" Self-tapping	1591TS100 (Pkg 100)
P.C. Board Screws [#2 x 3/16" self-tapping (4.8mm)]	1551ATS100 (Pkg 100)



**HAMMOND**<sup>®</sup>  
**1551R**  
www.hammondmfg.com