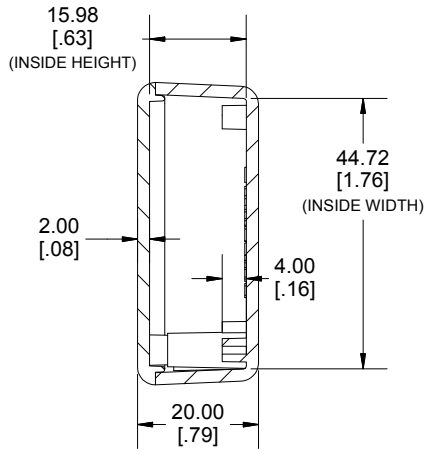
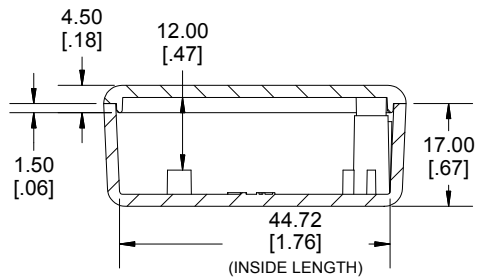
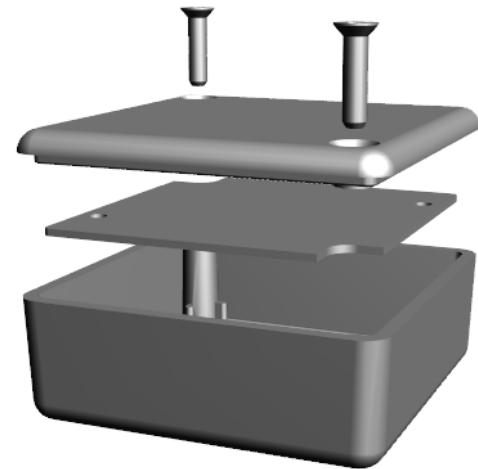


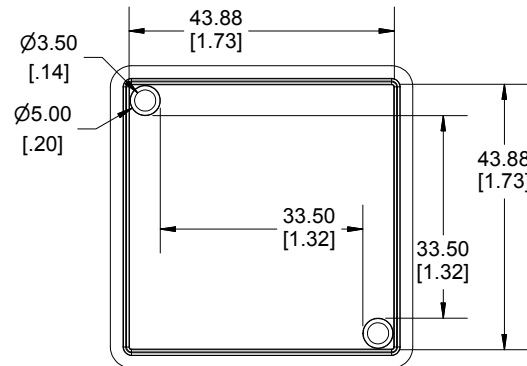
**TOP VIEW**



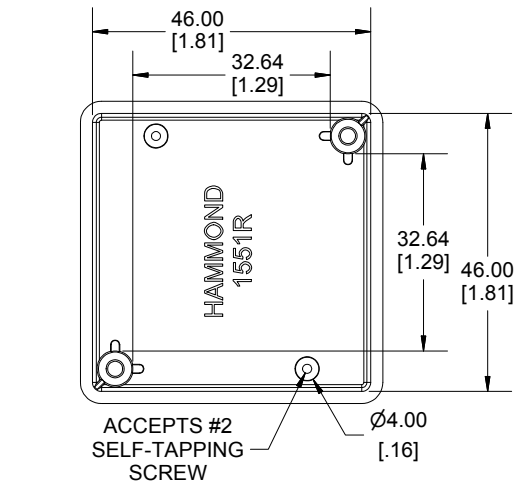
**END VIEW SECTION B-B**



**SIDE VIEW SECTION A-A**

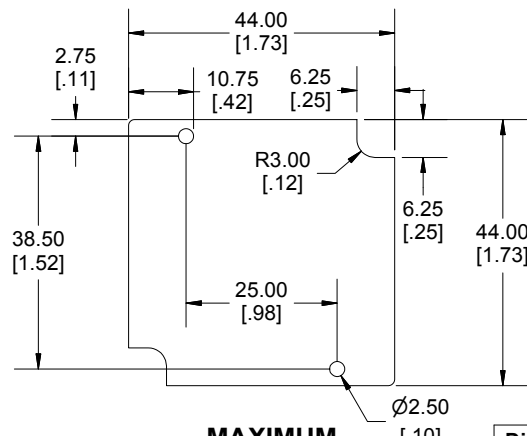


**INSIDE LID**



**INSIDE BOX**

ACCEPTS #2 SELF-TAPPING SCREW Ø4.00 [.16]



**MAXIMUM P.C. BOARD SIZE**

Dimensions:  
mm  
[inches]

Enclosures can be Factory Modified ( Milling, Drilling, Printing etc.)  
Contact Factory [mjm@hammondmfg.com](mailto:mjm@hammondmfg.com) for quotes  
Solid models of this enclosure available in STEP or IGES.  
(Part number and text placement/orientation on our products are subject to change, we do not recommend using them as a locating reference for modification purposes)

<b>NOTE</b>	
Purchased assembly includes box, lid, 2 cover screws.	
Enclosure molded from general purpose ABS Plastic.	
Other materials / colours available consult factory.	
<b>Recommended Torque : (35-43) Ozf.in / (25-30) cN.m</b>	
<b>PART NUMBERS</b>	
1551R Enclosure	
Black Enclosure - Ral 9011 - UL94 - HB	1551RBK
Gray Enclosure - RAL 7035 - UL94 - HB	1551RGY
Tranlucent Blue - UL94 - HB	1551RTBU
<b>ACCESSORIES</b>	
Black Cover Screws #4 X 1/2" Self-tapping	1591TS100BK (Pkg 100)
Plated Cover Screws #4 X 1/2" Self-tapping	1591TS100 (Pkg 100)
P.C. Board Screws [#2 x 3/16" self-tapping (4.8mm)]	1551ATS100 (Pkg 100)

