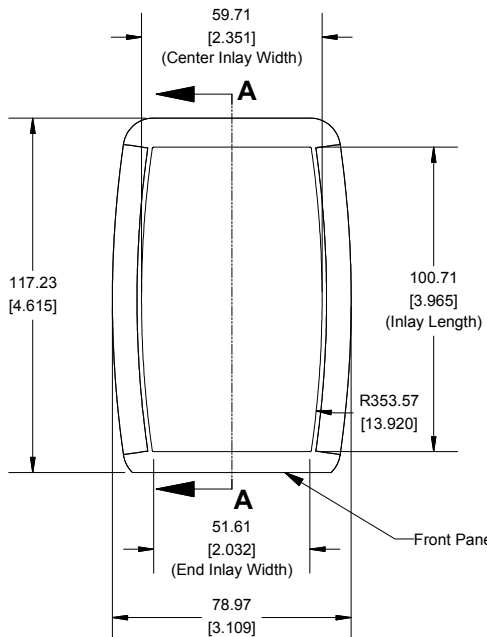
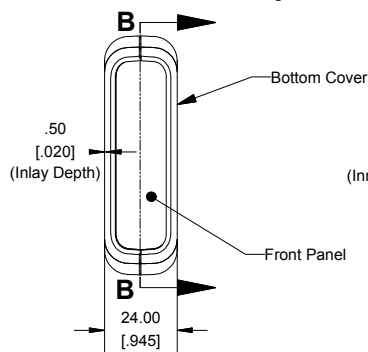


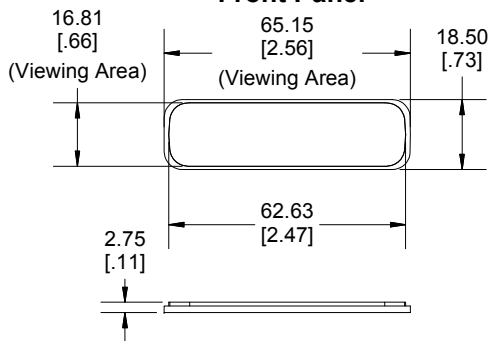
Top View of Assembly



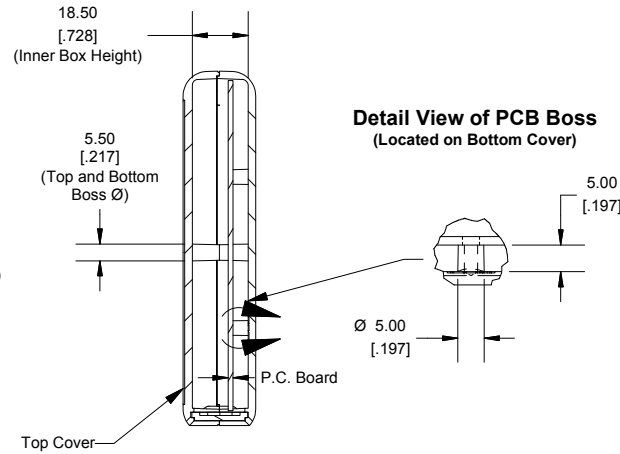
End View of Assembly



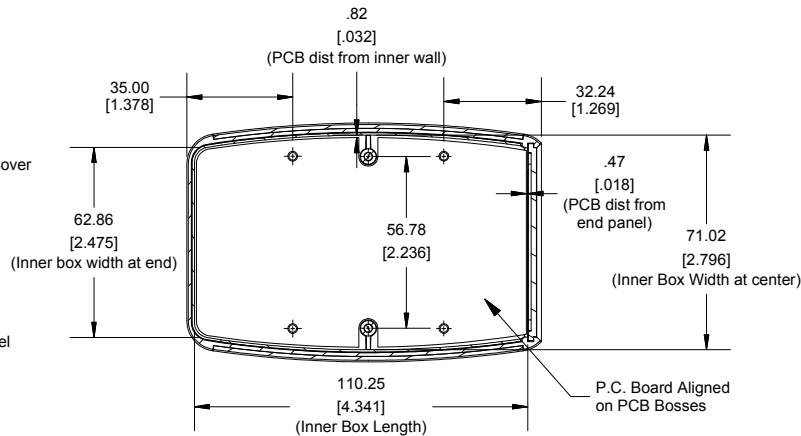
Front Panel



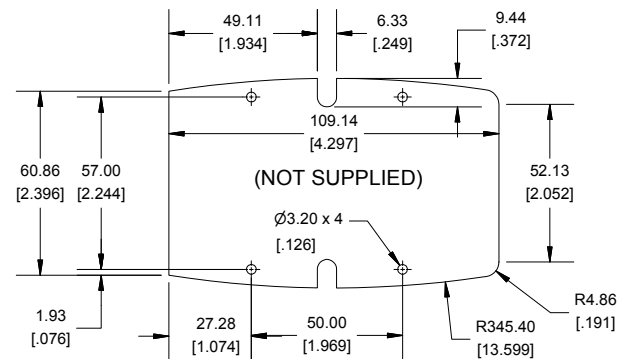
SECTION A-A (Side View Inside Assembly)



SECTION B-B (Inside of Bottom Cover)



Maximum P.C. Board Size



Enclosures can be Factory Modified (Milling, Drilling, Printing etc.)
 Contact Factory mjm@hammondmfg.com for quotes
 Solid models of this enclosure available in STEP or IGES.
 (Part number and text placement/orientation on our products are subject to change,
 we do not recommend using them as a locating reference for modification purposes)

NOTE

Enclosure molded from GP ABS Plastic.

Purchased assembly includes Top, Bottom, front plastic panel and 2 cover screws. (P.C. Board not supplied)

Recommended Cover screw torque -- 2.5 lbf-in (30 cN-m)

PART NUMBER

1553B Regular Enclosure

Black Enclosure/Grey Over-mold	1553BBK
Grey Enclosure/Grey Over-mold	1553BGY
Translucent Blue Enclosure/ Black Over-mold	1553BTBUBK
Red Enclosure/ Black Over-mold	1553BRDBK
Yellow Enclosure/ Black Over-mold	1553BYLBK
Black Enclosure/ Black Over-mold	1553BBKBK

ACCESSORIES

Oval Head Cover Screws Self-Tapping (Pkg 100) [#4 X 3/4" (19mm)]	1593QS100 (Silver) 1593QS100BK (Black)
P.C. Board Self Tapping Screw [#4 X 1/4" (6.4mm) Plated]	1593ATS50 (Pkg 50) 1593ATS100 (Pkg 100)
Belt or Pocket Clip	1599CLIP (Black) 1599CLIPGY (Grey)

Dimensions:
mm
[inches]



**HAMMOND
MANUFACTURING®**

1553B

www.hammondmfg.com