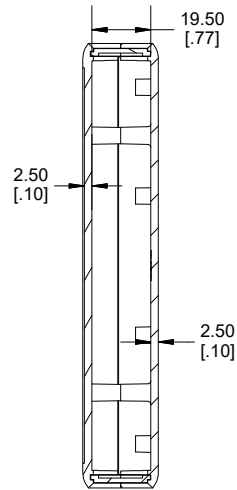
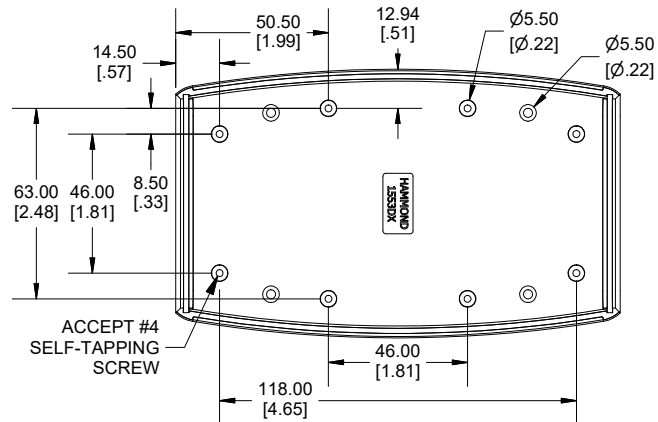


TOP VIEW

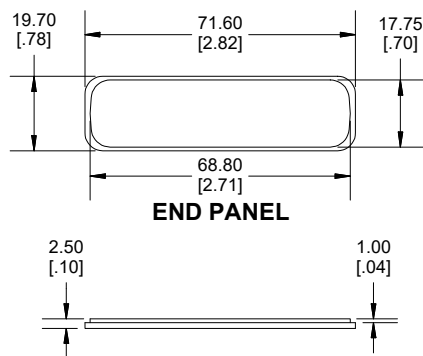
END VIEW



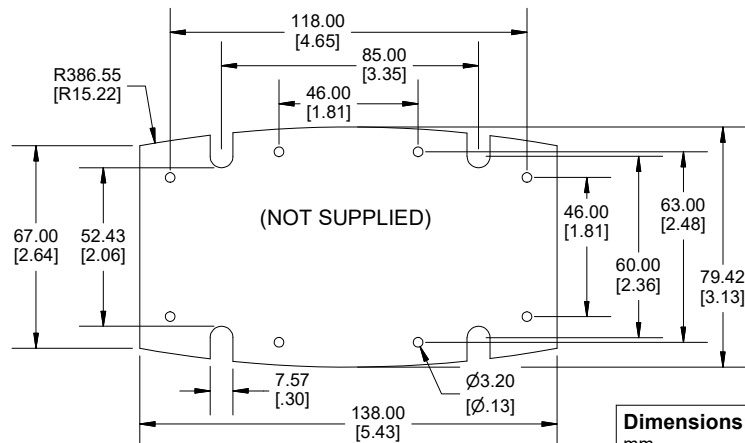
SECTION A-A



INSIDE BOTTOM



END PANEL



MAXIMUM P.C.B. SIZE

Dimensions:
mm
[inches]



Enclosures can be Factory Modified (Milling, Drilling, Printing etc.)
Contact Factory (modshop@hammfg.com) for quotes
Solid models of this enclosure available in .stp or .x_t
(Part number and text placement/orientation on our products are subject to change,
we do not recommend using them as a locating reference for modification purposes)

| NOTE | |
|---|--|
| Enclosure molded from GP ABS Plastic. | |
| Purchased assembly includes Top, Bottom, 2 plastic end panels and 4 cover screws. (P.C. Board not supplied) | |
| Recommended Cover screw torque -- 2.5 lbf-in (30 cN-m) | |

| PART NUMBER | |
|--|--|
| 1553 Regular Enclosure | |
| Black Enclosure/Grey Over-mold | 1553DXBK |
| Grey Enclosure/Grey Over-mold | 1553DXGY |
| ACCESSORIES | |
| Oval Head Cover Screws Self-Tapping (Pkg 100) [#4 X 3/4" (19mm)] | 1593QS100 (Silver) 1593QS100BK (Black) |
| Belt or Pocket Clip | 1599CLIP (Black) 1599CLIPGY (Grey) |
| P.C. Board Self Tapping Screw [#4 X 1/4" (6.4mm) Plated] | 1593ATS50 (Pkg 50) 1593ATS100 (Pkg 100) |

**HAMMOND
MANUFACTURING®**
1553DX
www.hammondmfg.com