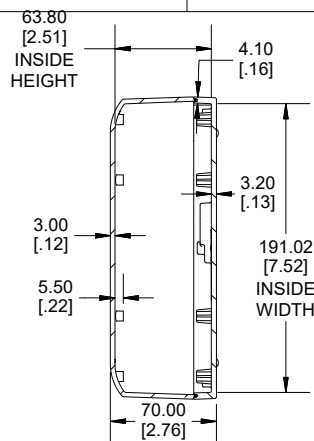
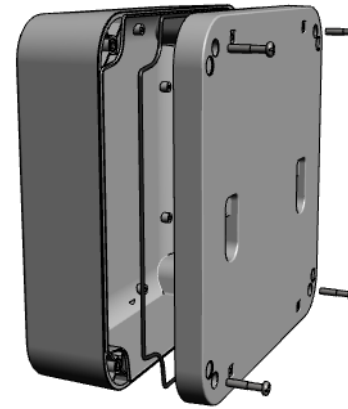



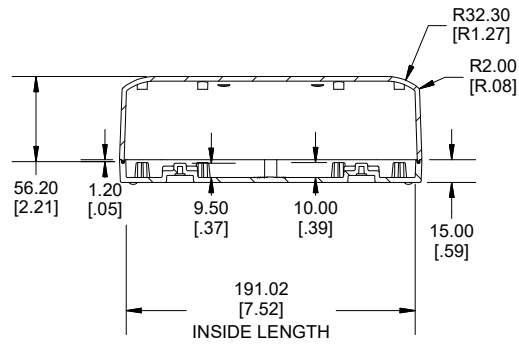
**TOP VIEW**



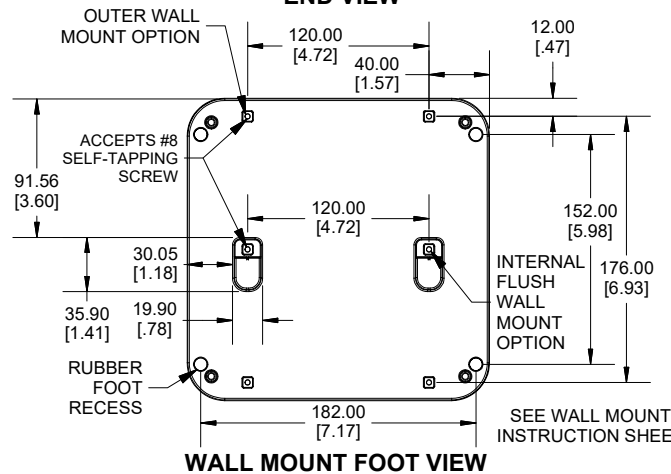
**SECTION A-A  
END VIEW**



POLYCARBONATE  
VERSION ONLY  
 **US LISTED**  
 FILE #E65324  
 TYPE 4,4X,6,6P



**SECTION B-B  
SIDE VIEW**



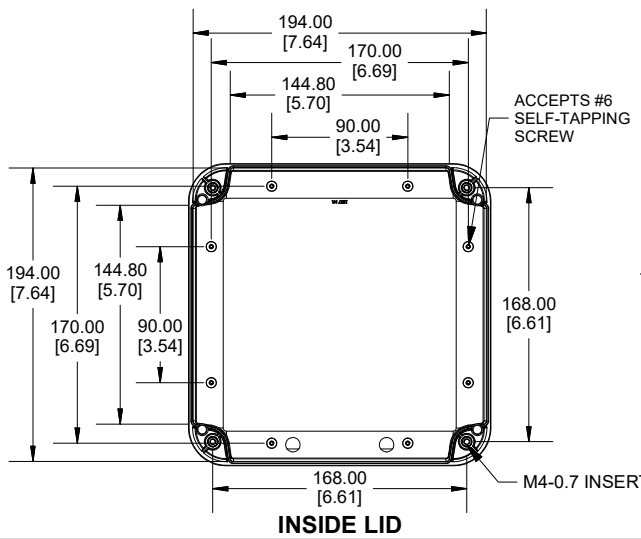
**WALL MOUNT FOOT VIEW**

Enclosures can be Factory Modified (Milling, Drilling, Printing etc.)  
 Contact Factory (modshop@hammfg.com) for quotes  
 Solid models of this enclosure available in .stp or .x\_t  
 (Part number and text placement/orientation on our products are subject to change,  
 we do not recommend using them as a locating reference for modification purposes)

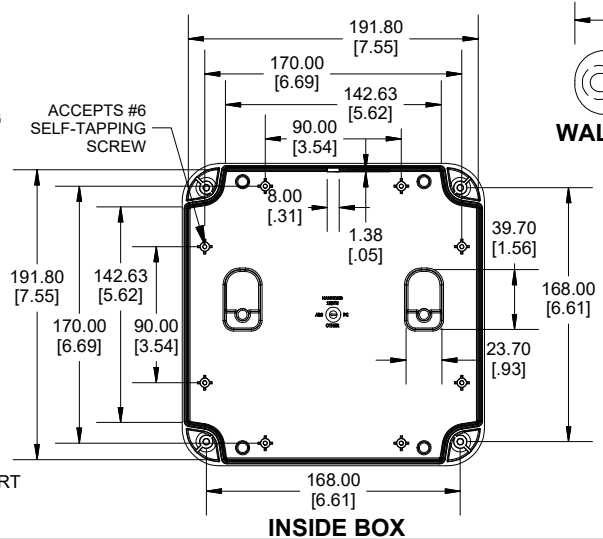
**NOTE**

Purchased assembly includes box, lid, 4 cover screws, preformed silicone gasket, 4 rubber feet, 4 wall mount foot screws, and 4 wall mount feet.  
 General Purpose ABS version is not UL approved. (Matl UL94 - HB)  
 Polycarbonate version is UL 508A approved. (Matl UL94 - 5VA @ 3mm)

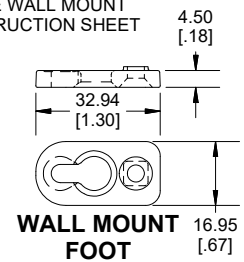
**Recommended Cover Screw Torque - 71-85 oz-in ( 50-60 cN-m)**



**INSIDE LID**



**INSIDE BOX**



**WALL MOUNT FOOT**

**Dimensions:**  
 mm  
 [inches]

1557		
1557HA Enclosure		
General Purpose ABS Black Enclosure		1557HABK
General Purpose ABS Grey Enclosure		1557HAGY
Polycarbonate Black Enclosure		1557HA2BK
Polycarbonate Grey Enclosure		1557HA2GY
ACCESSORIES		
Silicone Pre-formed Gasket Black (Pkg 2)		1557HGASKET
Clear Rubber Feet (Pkg 24)		1421T6CL
Stainless Steel Cover Screws [M4-0.7 X20mm] (Pkg 50)		SC576-50
Steel P.C.Board Screw [#6 X 1/4" Self Tapping] (Pkg 50)		SC526-50
Stainless Steel Wall Mount foot Screw [#8 X 3/8" Self Tapping] (Pkg 50)		SC556-50
Wall Mout Foot Kit [wall mount foot ] (Pkg 24) [#8 X 3/8" Self Tapping] (Pkg 24)	General Purpose ABS Grey	1557FOOTGY-24
	General Purpose ABS Black	1557FOOTBK-24
	POLYCARBONATE Grey	1557FOOT2GY-24
	POLYCARBONATE Black	1557FOOT2BK-24



**HAMMOND  
MANUFACTURING.**  
**1557HA**  
 www.hammondmfg.com