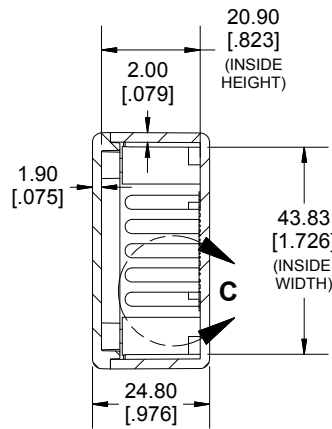
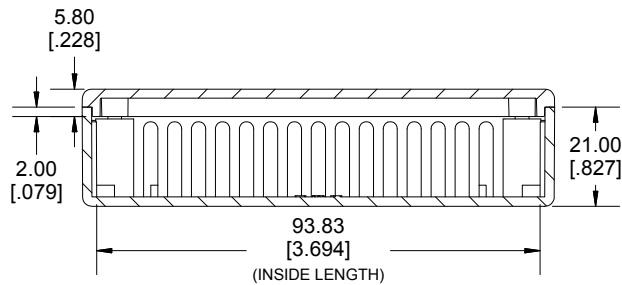
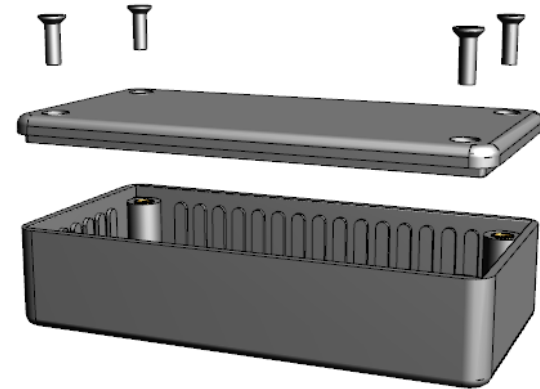


TOP VIEW



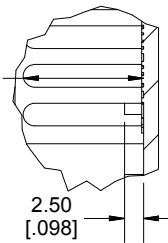
SECTION A-A



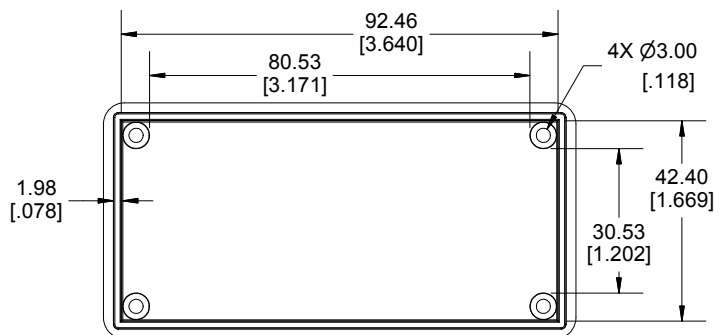
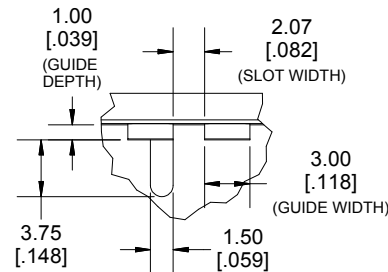
SECTION B-B
SIDE VIEW

DETAIL C

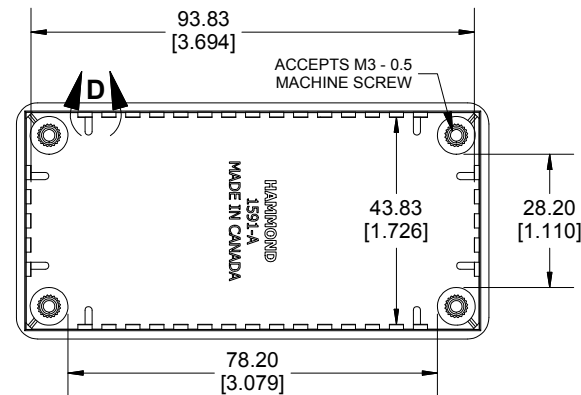
15.90
[.626]
(GUIDE
HEIGHT)



DETAIL D



INSIDE LID



INSIDE BOX

Dimensions:
mm
[inches]

Enclosures can be Factory Modified (Milling, Drilling, Printing etc.)
Contact Factory mjm@hammondmfg.com for quotes
Solid models of this enclosure available in STEP or IGES.

NOTE

Purchased assembly includes box, lid, 4 cover screws, and pre-installed brass inserts.
Enclosure made from FRABS or Polycarbonate.

Recommended Torque: 42-57 ozf.in (30-40 cN.m)

PART NUMBERS

1591A Enlosure		
Material	Colour	Part Number
FR ABS UL94 -V0	Beige	1591ABG
	Black	1591ABK
	Blue	1591ABU
	Grey	1591AGY
Translucent Polycarbonate	Ice Blue	1591ATBU
	IR Red	1591ATRD
	Crystal Clear	1591ATCL
Accessories		
Plated Cover screw M3 - 0.5 X 10mm (100Pkg)		1591MS100 (Silver)
		1591MS100BK (Black)
PC Board Card Adapters		1591Z6 (6Pkg)
		1591Z50 (50 Pkg)
		1591Z100 (100Pkg)
Nylon Belt / Pocket clip		1599CLIP (Black)
		1599CLIPGY (Grey)
Clear Lids - Flame Retardant Polycarbonate - Lid ONLY		1591AC

**HAMMOND
MANUFACTURING®**
1591A
www.hammondmfg.com